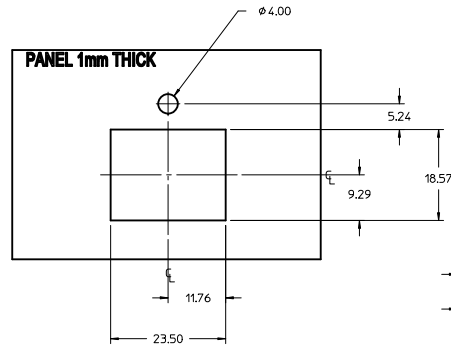
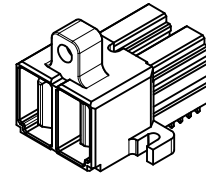
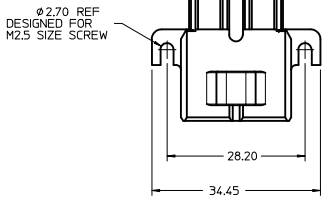


PART NUMBER	DIM "A" PC TAIL	PC BOARD THICKNESS	DESCRIPTION
46817-1002	3.86±0.30	2.36	SHORT TAILS
46817-1003	4.69±0.30	3.18/3.60	LONG TAILS

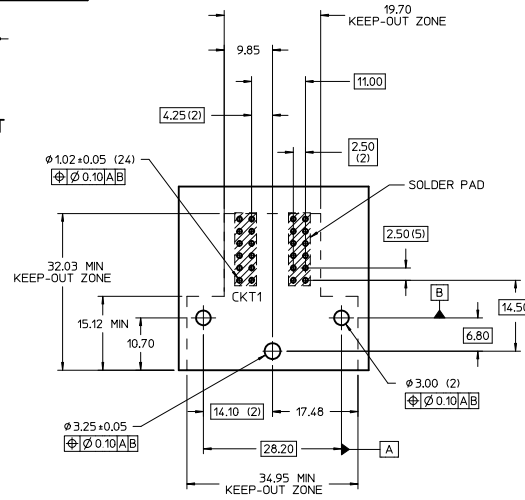


PANEL LAYOUT

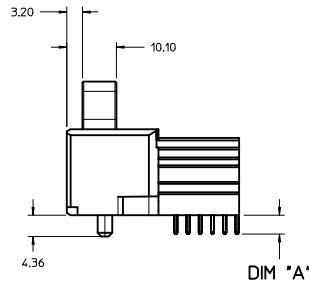
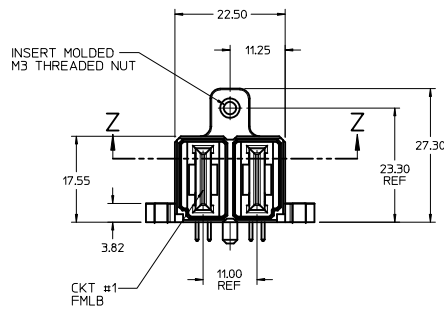
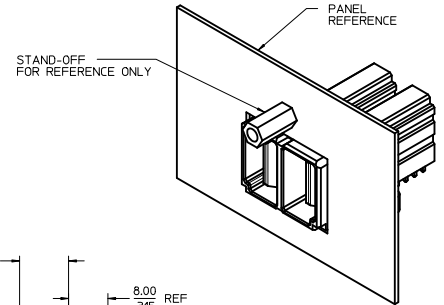
- NOTES:
- MATERIAL: HOUSING: 30% GF POLYESTER UL-94, V-0, TERMINALS: COPPER ALLOY
 - PLATING: TERMINALS: 30μ IN GOLD IN THE CONTACT AREA
100μ IN TIN IN THE PC TAIL AREA OVER
50μ IN NICKEL OVERALL
 - PRODUCT SPECIFICATION: PS-46819-001
 - PARTS ARE TRAY PACKED PER PACKAGING SPECIFICATION: PK-46817-002.
 - MATING HARNESS SERIES 68790
 - PC BOARD HOLES ARE FOR SOLDER TAIL TYPE TERMINALS
 - PC BOARD HOLES TO BE PLATED THRU HOLES



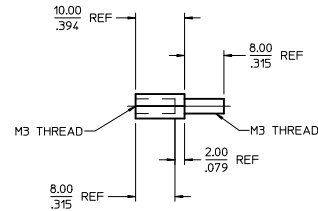
PART SUPPLIED AS SHOWN



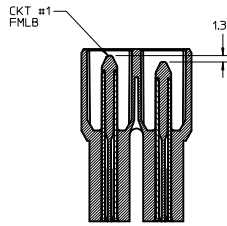
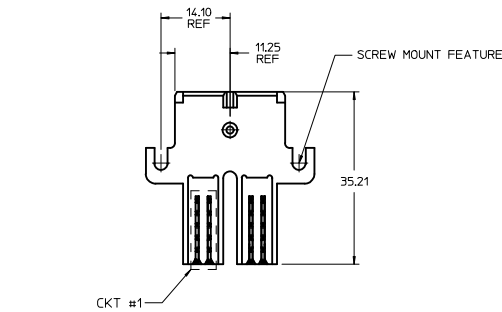
RECOMMENDED PCB LAYOUT (CONNECTOR SIDE)



DIM "A"



RECOMMENDED M3 STAND-OFF FOR REFERENCE ONLY
MAY BE PURCHASED FROM HARDWARE VENDOR



SECTION Z-Z

REM P/NS/REV NOTES IEC NO. UCF2012-3786 DRAWN/OUTLES 2012/05/21 CHKD/MKARADI/MAS 2012/05/21 APPR/APATEL 2012/06/01	QUALITY SYMBOLS ∇=0 ∇=0 ∇=0	GENERAL TOLERANCES (UNLESS SPECIFIED)		DIMENSION STYLE MM ONLY		SCALE 2:1	DESIGN UNITS METRIC	THIRD ANGLE PROJECTION	
		4 PLACES ± --- ± ---	mm INCH	DRAWN BY MKARADI/MAS	DATE 2010/07/13	TITLE GUARDIAN PLUG ASSEMBLY 2 CKT			
		3 PLACES ± --- ± ---	± 0.13 ± ---	CHECKED BY MKARADI/MAS	DATE 2011/01/10	MOLEX INCORPORATED			
		2 PLACES ± 0.25 ± ---	± 0.25 ± ---	APPROVED BY APATEL	DATE 2011/01/13				
DRAFT WHERE APPLICABLE MUST REMAIN WITHIN DIMENSIONS		MATERIAL NO. SEE CHART		DOCUMENT NO. SD-46817-1002		SHEET NO. 1 OF 1			