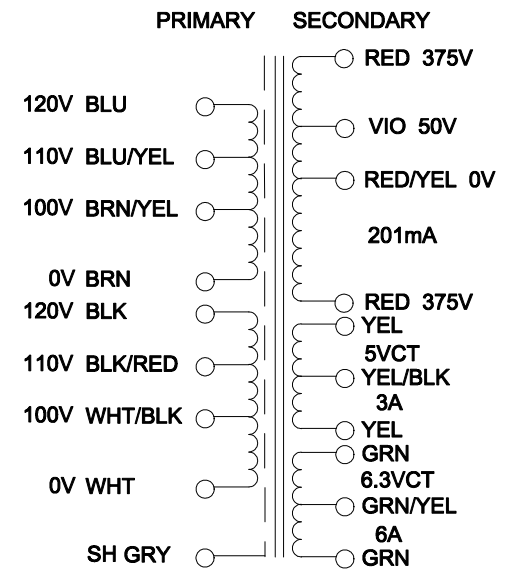
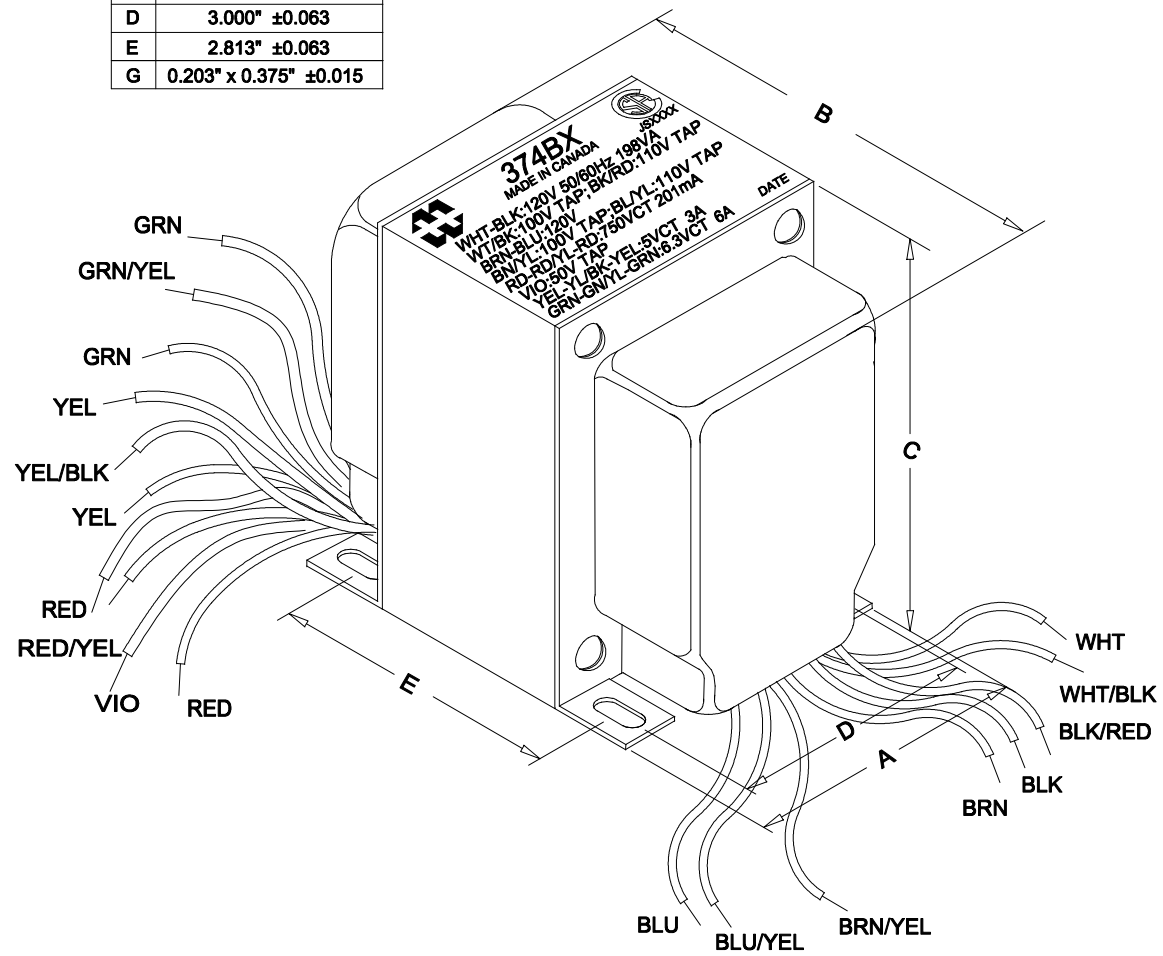


DIMENSIONS:	
A	3.750" ±0.063
B	3.935" ±0.125
C	4.563" ±0.063
D	3.000" ±0.063
E	2.813" ±0.063
G	0.203" x 0.375" ±0.015



NOTE: ALL LEADS 8" OUT MIN., STRIPPED .5"

ELECTRICAL DATA:		
TESTS	CONDITIONS	ACCEPTANCE CRITERIA
I <sub>ex</sub>	@ 120V, 60Hz, WHT - BLK	160mA Max.
Sec. N.L.V	@ 120V, 60Hz, WHT - BLK	
	RED - RED =	794.7V ±2%
	RED - RED/YEL = RED/YEL - RED =	397.3V ±2%
	RED/YEL - VIO =	53.34V ±2%
	YEL - YEL =	5.334V ±2%
	YEL - YEL/BLK = YEL/BLK - YEL =	2.667V ±2%
	GRN - GRN =	6.857V ±2%
	GRN - GRN/YEL = GRN/YEL - GRN =	3.429V ±2%
DCR	@ 20°C, WHT - BLK =	3.800 Ω ±20%
	@ 20°C, BRN - BLU =	4.200 Ω ±20%
	@ 20°C, RED - RED =	104.0 Ω ±20%
	@ 20°C, YEL - YEL =	0.060 Ω ±20%
	@ 20°C, GRN - GRN =	0.040 Ω ±20%
HIPOT	PRIMARY - SECONDARY	2500V, 60Hz, 1 SEC

REV.#	REVISION	DATE	HAMMOND MANUFACTURING™		ELECTRONIC DIVISION	
0	RELEASED.	03/13/12	52 RANKIN PLACE, WATERLOO, ONTARIO, N2J 3Z5		PH # (519) 886-6181 FAX # (519) 886-9540	
			DWG. BY: C. ILIE	CHK'D BY:	TITLE: 374BX	DWG. NO.
			DATE: 03/13/12	APP'D. BY:	TRANSFORMER	374BX
				DIMENSIONS: IN(X) MM( )		