

DWG. NO. SD-68145-328

SIMILAR ITEM

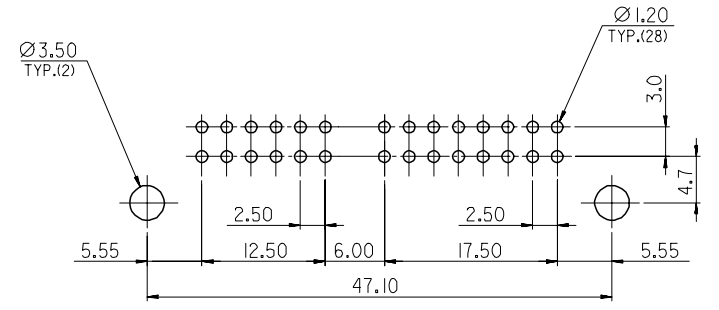
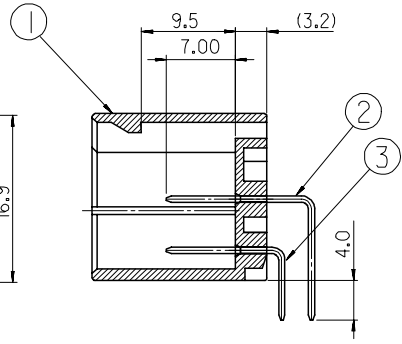
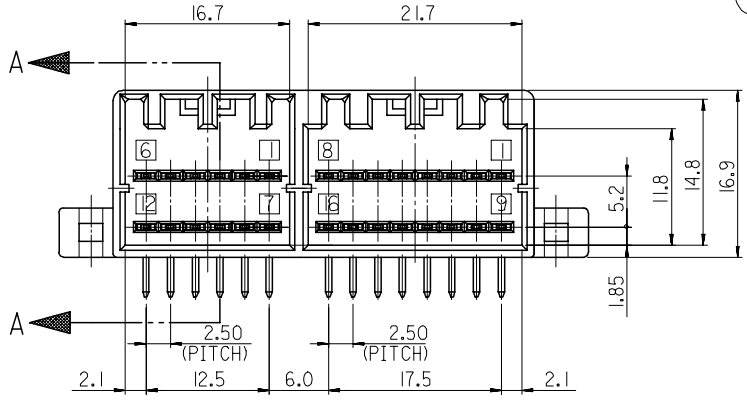
PROJECT NO.

C

B

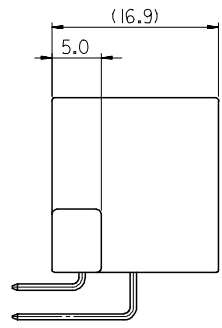
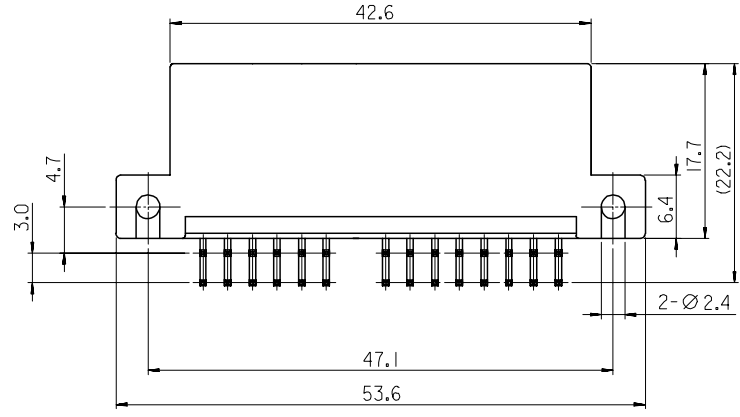
DO NOT SCALE DRAWING  
DIMENSION IN METRIC

NO.	PART NO.	COLOR
1	68145-2821	BLACK
2	68145-2825	GRAY
3	68145-2826	WHITE



RECOMMENDED P.C.B HOLE DIM.(MOUNT SIDE)

SECTION A-A



NOTES

1. APPLICABLE FEMALE HOUSING : 64002-121\*, 35563-161\*

NO.	DESCRIPTION	MATERIAL	REMARK
①	HOUSING	PBT, G/F 15%	UL94HB
②	PIN(L)	BRASS	PRE-TIN PLATED
③	PIN(S)		

ADDED OF PART EC NO. KOR2006-0147 DRWN: EOKIM 06/06/01 CHK: B.C.YOON 06/06/01 APPR: SHLCHOI 06/06/01	QUALITY SYMBOLS MAJOR CRITICAL	GENERAL TOLERANCES: (UNLESS SPECIFIED)		SCALE 2:1	DESIGN UNITS <input checked="" type="checkbox"/> mm <input type="checkbox"/> INCH	THIRD ANGLE PROJECTION	DIMENSIONS: <input type="checkbox"/> mm <input type="checkbox"/> INCH <input type="checkbox"/> mm <input checked="" type="checkbox"/> mm ONLY	SHT REV
		4 PLACES ±0.      ±.	DRAWN BY & DATE B.C.YOON 02/07/12	TITLE: .040 WIRE TO BOARD CONNECTOR 28P HEADER ASS'Y-R/A(HZT)				
		3 PLACES ±0.      ±.	CHECKED BY & DATE Y.SIK.KIM 02/07/12	MOLEX INCORPORATED				
		2 PLACES ±0.25   ±.	APPROVED BY & DATE C.W.LEE 02/07/12	CAD FILENAME S6814528D.dgn	MATERIAL NO. SEE TABLE	DRAWING NO. SD-68145-328	SHEET NO. 1 OF 1	
1 PLACE ±0.30   ±.	ANGULAR: ± 1 °	THIS DRAWING CONTAINS INFORMATION THAT IS PROPRIETARY TO MOLEX INCORPORATED AND SHOULD NOT BE USED WITHOUT WRITTEN PERMISSION.			SIZE B			
DRAFT WHERE APPLICABLE MUST REMAIN WITHIN DIMENSIONS								

