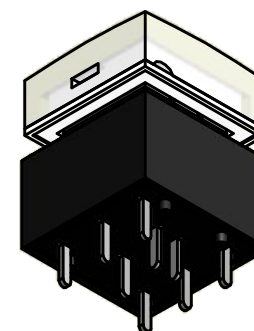
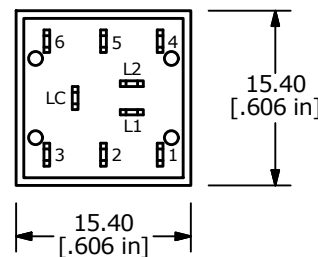
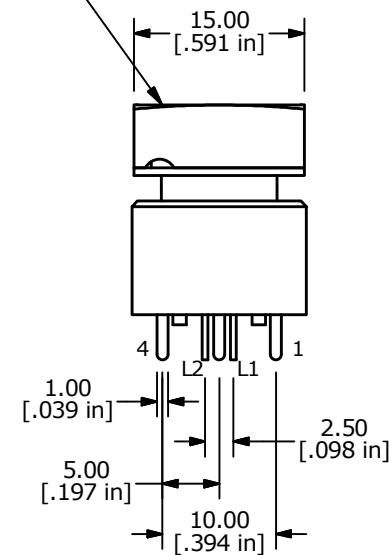


▲ CLEAR CAP



NOTES:

1. ALL DIMENSIONS IN MM
2. GENERAL TOLERANCE: X.X = ±0.4  
X.XX = ±0.25
3. TERM. NOS. FOR REFERENCE ONLY.
4. CONTACT RATING: 0.5A @ 100 VAC OR 25 VDC  
0.2A @ 250 VAC
- ▲ 5. CONTACT MATERIAL: SILVER
6. ELECTRICAL LIFE: 200,000 Typical
7. MECHANICAL LIFE: 1,000,000 CYCLES TYP.
8. OPERATING TEMP: -20°C TO +70°C
9. OPERATING FORCE: 300 ± 150 gf
10. CONTACT RESISTANCE: 50 MILLI-OHM INITIAL TYP. MAX.
11. INSULATION RESISTANCE: 500VDC, 100 MΩ MIN.
12. DIELECTRIC STRENGTH: 1000 VAC FOR 1 MINUTE
13. TRAVEL: 2.20mm ± 0.2 LATCHING
14. 2002/95/EC (ROHS) COMPLIANT
15. ▲ DENOTES CRITICAL PARAMETER
- ▲ 16. LED COLOR: GRN: 3 CHIPS; 2.1VDC, @20mA TYP.  
RED: 3 CHIPS; 1.95VDC, @20mA TYP.

REV	PCR NO	DESCRIPTION	DATE	BY
H	21951	UPDATED DRAWINGS VIEWS	8/13/15	MW
G	21618	CHANGED NOTE 5 MATERIAL	10/14/14	AS
F	19737	CORRECTED TERMINALS	03/07/11	BMA
E	19724	UPDATE DRAWING	03/02/11	BMA



TITLE ULP22EEP1QSSCL1GRNRED

SCALE	DATE	DR	DWG	REV
1.5:1	10/10/2007	BF	B800006	H

THE INFORMATION CONTAINED IN THIS DOCUMENT IS PROPRIETARY TO E-SWITCH AND IS NOT TO BE COPIED OR TRANSFERRED