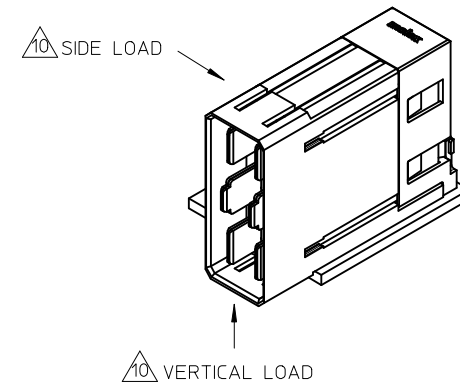
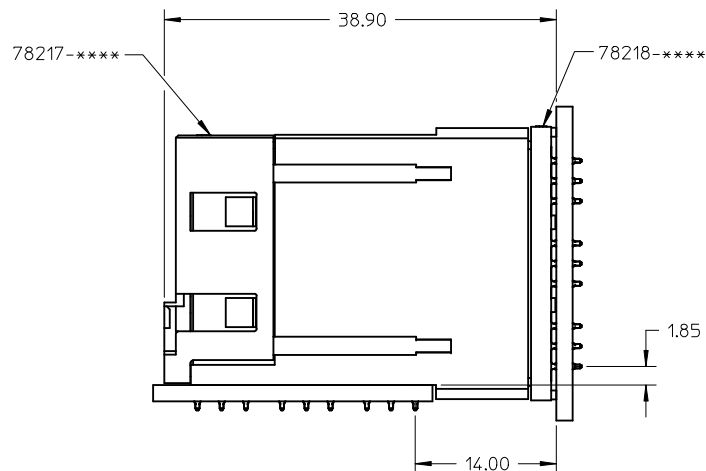


NOTES:

1. MATERIAL:  
HOUSING - LCP, GLASS FILLED, UL94-V0, COLOR: BLACK  
POWER PIN - COPPER ALLOY
2. FINISH OPTION:  
TIN - 0.76µm MINIMUM GOLD AT CONTACT AND  
2.54µm MINIMUM TIN AT SOLDER TAIL AREA OVER  
1.27µm MINIMUM NICKEL UNDERPLATE OVERALL.
3. PRODUCT SPECIFICATION: PS-78213-001.
4. PACKAGING SPECIFICATION: PK-78217-001.
5. MATES WITH 78218-\*\*\*\*.
6. REFER TO SHEET 3 FOR RECOMMENDED PCB LAYOUT.
7. REFER TO MOLEX PRODUCT SPECIFICATION PS-78213-001 FOR PLATED THROUGH-HOLE SPECIFICATIONS.
8. PART NUMBER AND DATE CODE (YYDDD) APPROXIMATELY AS SHOWN.
9. KEEP OUT ZONE FROM OTHER COMPONENTS.
10. CONNECTOR-TO-PCB RETENTION FORCE SHALL WITHSTAND VERTICAL AND SIDE LOAD OF 5.0KGF AND 3.0KGF MAXIMUM RESPECTIVELY. FOR APPLICATION THAT REQUIRES MORE CONNECTOR-TO-PCB RETENTION FORCE, PLEASE CONTACT MOLEX SALES TECHNICAL PERSONNEL FOR RECOMMENDATION.

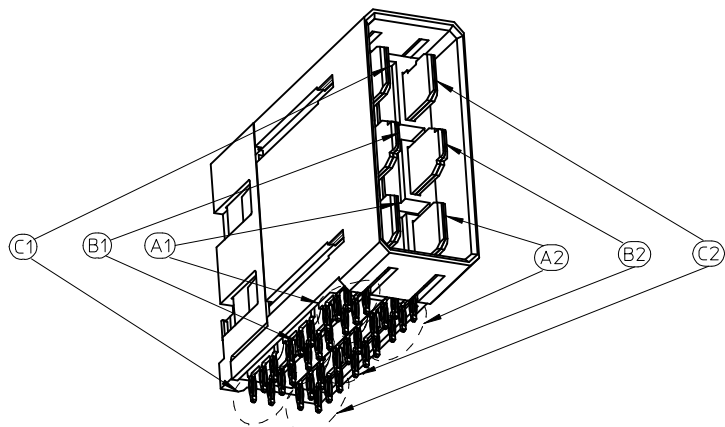


UPDATE PCB EC NO: S2014-0872 DRWN: SHONG CHKD: HICGOH APPR: SILENI 2015/01/16 2015/04/07 2015/04/07	DESCRIPTION B1	QUALITY SYMBOLS	GENERAL TOLERANCES (UNLESS SPECIFIED)	DIMENSION STYLE	SCALE	DESIGN UNITS	THIRD ANGLE PROJECTION
		▼=0 C=0	mm INCH 4 PLACES ± --- ± --- 3 PLACES ± --- ± --- 2 PLACES ± 0.25 ± --- 1 PLACE ± --- ± --- ANGULAR ± 3 °	MM ONLY	NTS	METRIC	
			DRAWN BY: ANG CHECKED BY: LNG APPROVED BY: SHONG MATERIAL NO.	DATE: 2009/06/22 DATE: 2009/06/22 DATE: 2009/06/23 DATE: 2009/06/23 DOCUMENT NO.	TITLE		
		DRAFT WHERE APPLICABLE MUST REMAIN WITHIN DIMENSIONS	SEE TABLE SIZE: A3	TITLE: IMPACT POWER, 6 PAIR RIGHT ANGLE HEADER PRESS-FIT MOLEX INCORPORATED SD-78217-002 SHEET NO. 1 OF 3	THIS DRAWING CONTAINS INFORMATION THAT IS PROPRIETARY TO MOLEX INCORPORATED AND SHOULD NOT BE USED WITHOUT WRITTEN PERMISSION		

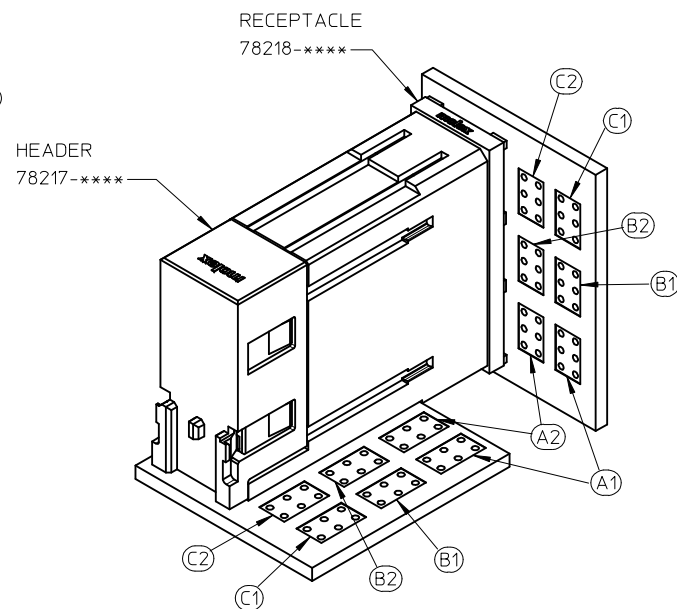


RIGHT ANGLE HEADER (78217) & VERTICAL RECEPTACLE (78218)

MATED SYSTEM WITH 78217



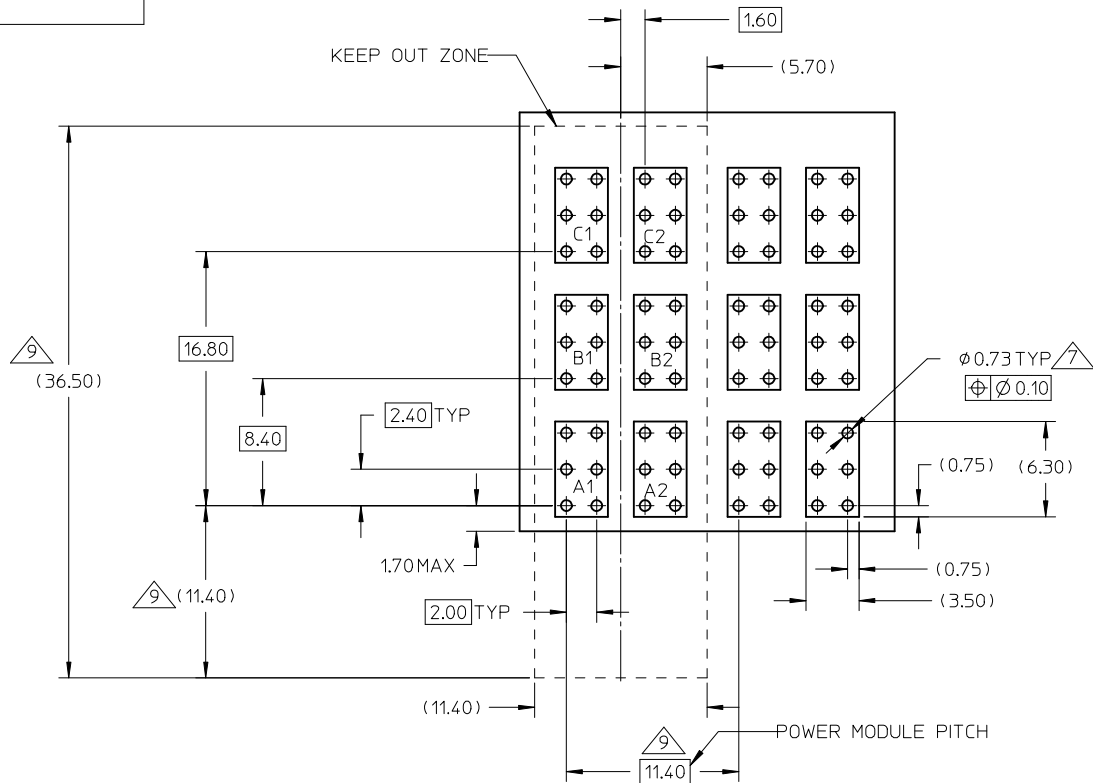
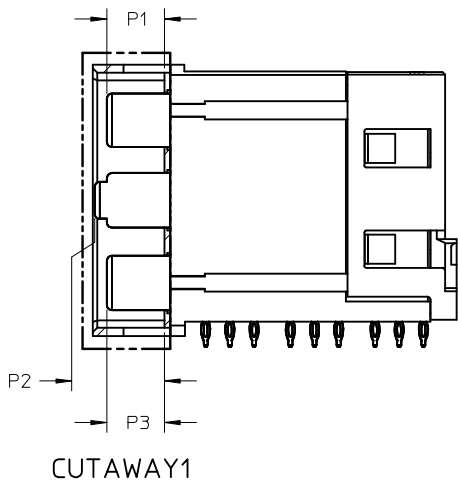
PIN NUMBER ASSIGNMENT BASED ON HEADER SIDE:  
A1, B1 ON THE LEFT  
A2, B2 ON THE RIGHT



CIRCUIT PATH OF MATED SYSTEM

UPDATE PCB EC NO: S2014-0872 DRWN: SHONG 2015/01/16 CHKD: HICGOH 2015/04/07 APPR: SHILENI 2015/04/07	QUALITY SYMBOLS ▽=0 ◻=0	GENERAL TOLERANCES (UNLESS SPECIFIED)	DIMENSION STYLE MM ONLY	SCALE NTS	DESIGN UNITS METRIC	THIRD ANGLE PROJECTION														
		<table border="1"> <thead> <tr> <th></th> <th>mm</th> <th>INCH</th> </tr> </thead> <tbody> <tr> <td>4 PLACES</td> <td>± ---</td> <td>± ---</td> </tr> <tr> <td>3 PLACES</td> <td>± ---</td> <td>± ---</td> </tr> <tr> <td>2 PLACES</td> <td>± 0.25</td> <td>± ---</td> </tr> <tr> <td>1 PLACE</td> <td>± ---</td> <td>± ---</td> </tr> </tbody> </table>		mm	INCH	4 PLACES	± ---	± ---	3 PLACES	± ---	± ---	2 PLACES	± 0.25	± ---	1 PLACE	± ---	± ---	DRAWN BY: ANG DATE: 2009/06/22	TITLE: IMPACT POWER, 6 PAIR RIGHT ANGLE HEADER PRESS-FIT	
		mm	INCH																	
	4 PLACES	± ---	± ---																	
3 PLACES	± ---	± ---																		
2 PLACES	± 0.25	± ---																		
1 PLACE	± ---	± ---																		
	ANGULAR ± 3 °	CHECKED BY: LNG DATE: 2009/06/22	APPROVED BY: SHONG DATE: 2009/06/23	MOLEX INCORPORATED																
B1	DRAFT WHERE APPLICABLE MUST REMAIN WITHIN DIMENSIONS	SEE TABLE	MATERIAL NO.	DOCUMENT NO. SD-78217-002	SHEET NO. 2 OF 3															

10	9	8	7	6	5	4	3	2	1
PART NUMBER	P1 (APPLIES TO C1 & C2)	P2 (APPLIES TO B1 & B2)	P3 (APPLIES TO A1 & A2)	PLATING OPTIONS	PACKAGING				
78217-1011	6.90	6.90	6.90	TIN PLATING	TRAY				
78217-1022	5.70	5.70	6.90						
78217-1055	5.70	5.70	5.70						
78217-1077	5.70	6.90	6.90						



RECOMMENDED PCB LAYOUT  
(COMPONENT SIDE SHOWN)  
MINIMUM BOARD THICKNESS: 1.60mm

<b>UPDATE PCB</b> EC NO: S2014-0872 DRWN: SHONG 2015/01/16 CHKD: HICGOH 2015/04/07 APPR: SHLENI 2015/04/07	QUALITY SYMBOLS ▽=0 ◻=0	GENERAL TOLERANCES (UNLESS SPECIFIED) mm INCH 4 PLACES ± --- ± --- 3 PLACES ± --- ± --- 2 PLACES ± 0.25 ± --- 1 PLACE ± --- ± --- ANGULAR ± 3°	DIMENSION STYLE <b>MM ONLY</b> DRAWN BY: ANG DATE: 2009/06/22 CHECKED BY: LNG DATE: 2009/06/22 APPROVED BY: SHONG DATE: 2009/06/23	SCALE: NTS DESIGN UNITS: METRIC THIRD ANGLE PROJECTION	TITLE: <b>IMPACT POWER, 6 PAIR RIGHT ANGLE HEADER PRESS-FIT</b> <b>MOLEX INCORPORATED</b>	
	DRAFT WHERE APPLICABLE MUST REMAIN WITHIN DIMENSIONS	MATERIAL NO.: SEE TABLE SIZE: A3	DOCUMENT NO.: SD-78217-002 SHEET NO.: 3 OF 3	THIS DRAWING CONTAINS INFORMATION THAT IS PROPRIETARY TO MOLEX INCORPORATED AND SHOULD NOT BE USED WITHOUT WRITTEN PERMISSION		
	B1	REV				