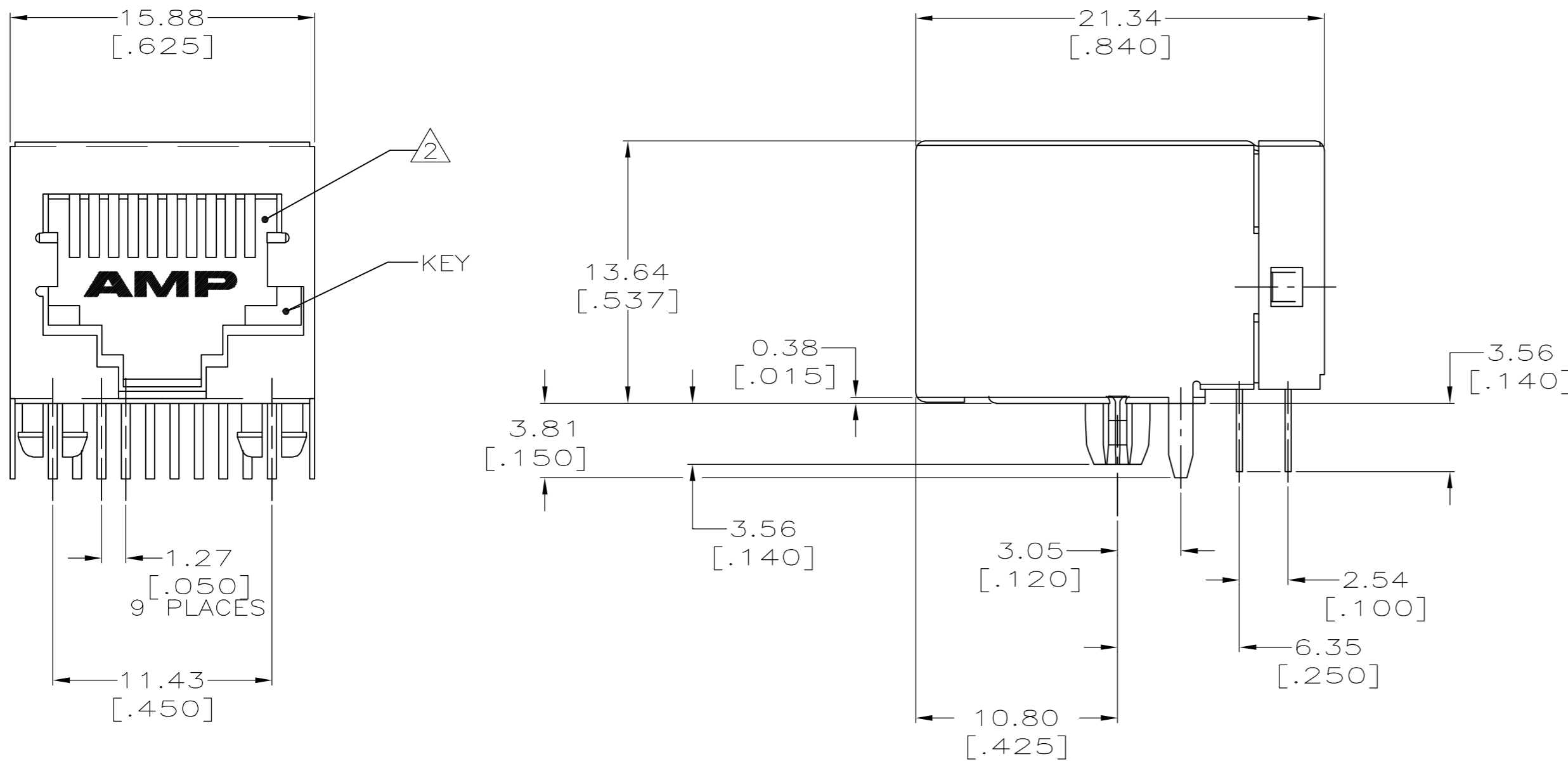
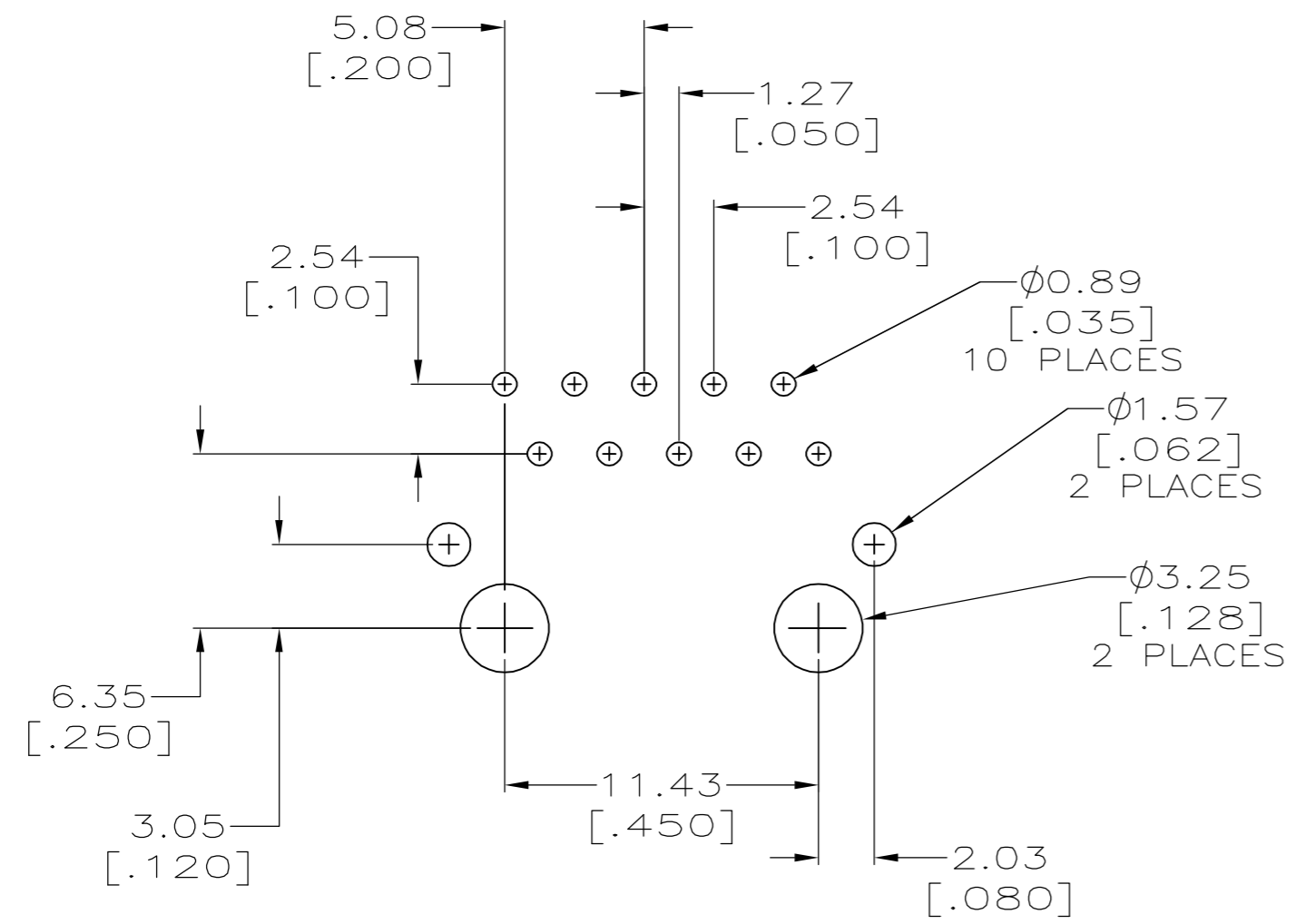


THIS DRAWING IS UNPUBLISHED. RELEASED FOR PUBLICATION
 © COPYRIGHT BY TYCO ELECTRONICS CORPORATION. ALL RIGHTS RESERVED.

LOC	DIST	REVISIONS			
P	LTR	DESCRIPTION	DATE	DWN	APVD
AA	22				
A		REV PER EC 0S11-0201-04	07JUN2005	AF	SF



1. MATERIALS:
 HOUSING—PCT POLYESTER, BLACK, IR REFLOW COMPATIBLE, UL 94V-0.
 TERMINALS 0.33 [.013] THICK PHOS BRONZE PLATED WITH 1.27μm [.000050] MIN THICK HARD GOLD IN LOCALIZED AREA AND 3.81μm [.000150] MIN THICK MATTE TIN IN SOLDER AREA OVER 1.27μm [.000050] MINIMUM THICK NICKEL UNDERPLATE.
 SHIELD—0.25 [.010] THICK COPPER ALLOY PLATED WITH 2.03μm [.000080] MINIMUM THICK TIN OVER 1.27 μm [.000050] MINIMUM THICK NICKEL.
2. JACK CAVITY CONFORMS TO FCC RULES AND REGULATIONS, PART 68 SUBPART F.
3. DIMENSIONS ARE NOMINAL UNLESS OTHERWISE SPECIFIED.



SUGGESTED PC BOARD LAYOUT
 VIEW SHOWN IS TOP (COMPONENT SIDE) OF PC BOARD

5558068-1
 PART NO

THIS DRAWING IS A CONTROLLED DOCUMENT.		DWN A. FERNANDEZ-DOCK5 07JUN2005	tyco Electronics		Tyco Electronics Corporation Harrisburg, Pa 17105-3608	
DIMENSIONS: INCHES		CHK J. WESTMAN 07JUN2005	NAME S. FLICKINGER			
TOLERANCES UNLESS OTHERWISE SPECIFIED:		APVD S. FLICKINGER 07JUN2005	PRODUCT SPEC			
0 PLC ± -		APPLICATION SPEC				
1 PLC ± -		WEIGHT -				
2 PLC ± -		SIZE A2				
3 PLC ± 0.13 [.005]		CAGE CODE -				
4 PLC ± -		DRAWING NO C=5558068				
ANGLES ± -		RESTRICTED TO -				
FINISH		SCALE 1:1 SHEET 1 OF 1 REV A				
MATERIAL		CUSTOMER DRAWING				