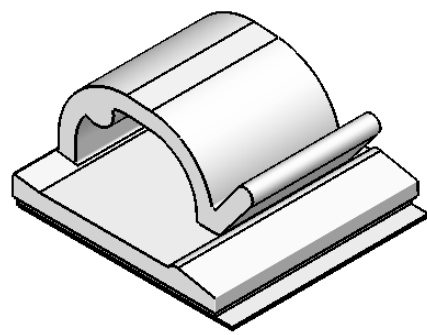
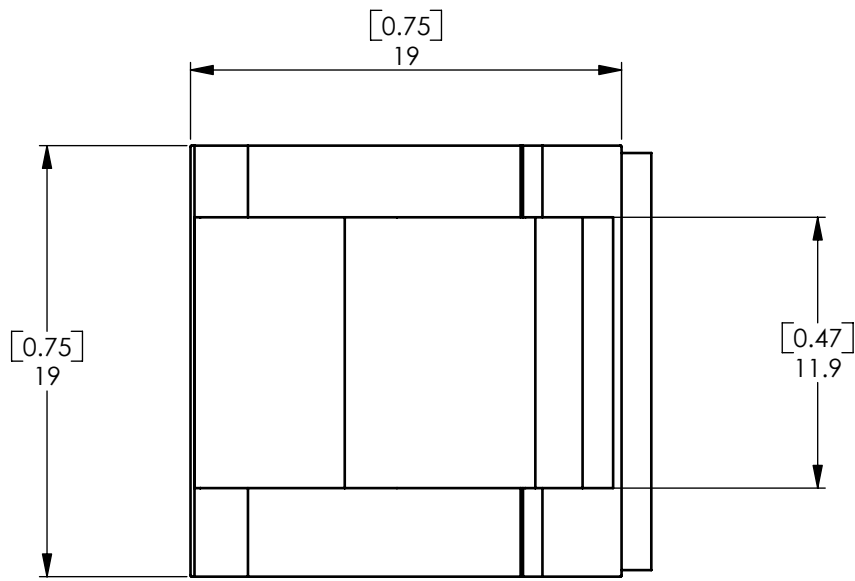


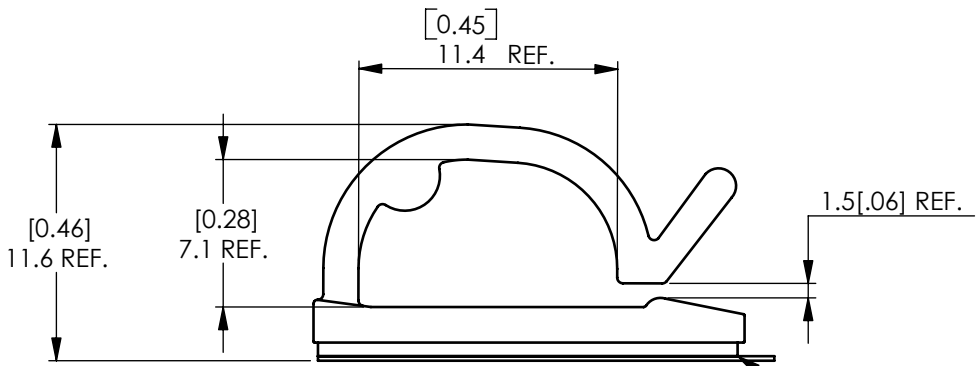
A B C D E F

REV.	MODIFICATION.	DATE	DRN
01	ECN2007-241	18/12/07	SF
02	CO2010167	28/03/08	SF



NOTES:

1. MATERIAL: NYLON 6/6 UL94-V2(RMS-01)
2. TAPE: ACRYLIC ADHESIVE, YELLOW PE FILM LINER, WHITE PE FOAM. (RMS-324)
3. PARTS AVAILABLE IN NYLON 6/6 UL94-V0(RMS-19) BY SPECIAL ORDER
4. PARTS ALSO AVAILABLE IN BLACK BY SPECIAL ORDER, ADD BK TO END OF PART NUMBER.



0.8 [1/32] THICK, DOUBLE SIDED ADHESIVE TAPE WITH RELEASE TAB.

INFORMATION CONTAINED IN THIS DOCUMENT IS CONFIDENTIAL TO RICHCO INTERNATIONAL Co. Ltd. AND MAY NOT BE DISCLOSED OR REPRODUCED IN WHOLE OR PART WITHOUT THEIR WRITTEN CONSENT.

	ALL DIMENSIONS IN mm GENERAL TOLERANCES ±0.25 UNLESS OTHERWISE STATED 1 DECIMAL PLACE ±0.25 2 DECIMAL PLACES ± 0.10 ANGULAR ±1°	THIRD ANGLE

MATERIAL: SEE NOTES	COLOUR: NATURAL
------------------------	--------------------

DESCRIPTION: WIRE CORD KLIP	PART No: SEE TABLE
--------------------------------	-----------------------

DRG No: 07-146	NPR No: N/A	Mass:(g) 0.9	SHEET SIZE A4
-------------------	----------------	-----------------	------------------

DRN SF	DATE 18/12/07	CHKD TC	DATE 18/12/07	SCALE NTS	SHEET No. 1 OF 1
-----------	------------------	------------	------------------	--------------	---------------------

PART NUMBER
MWCK-460-01A4-RT
MWCK-460-01
MWCK-460-19

A B C D E F