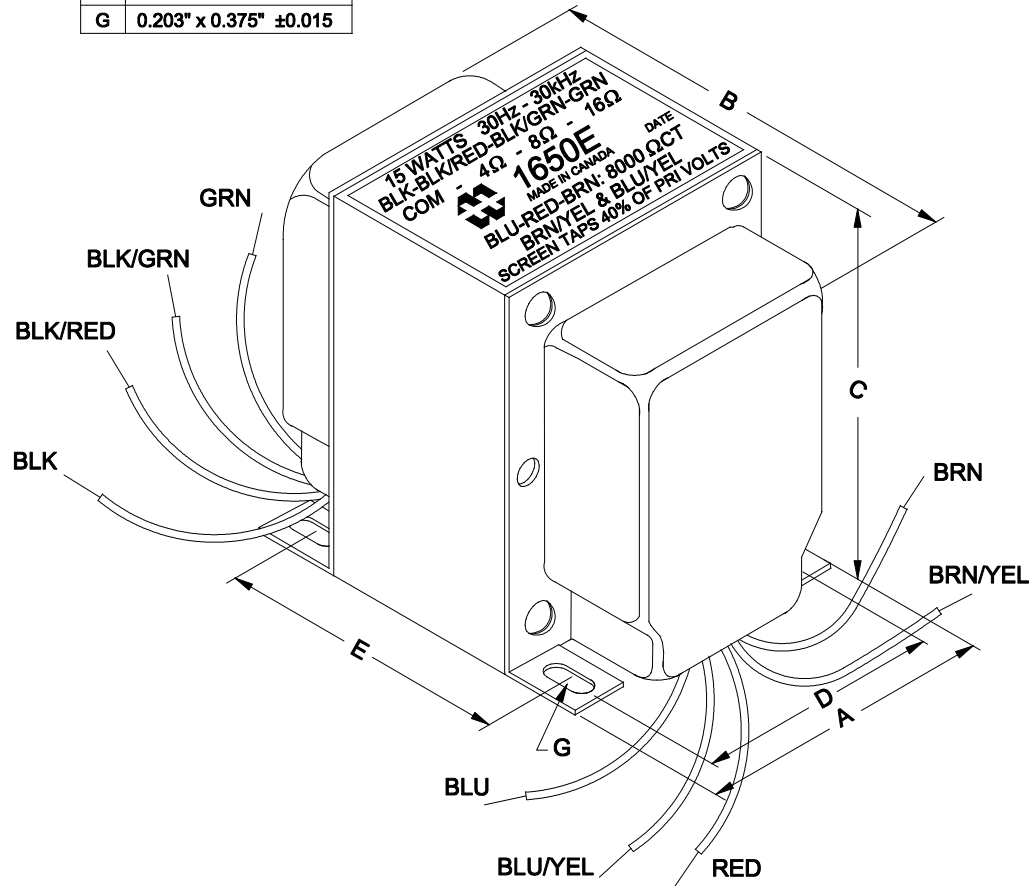
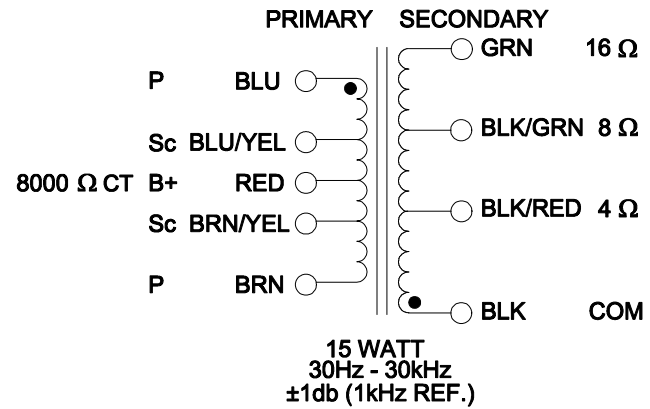


DIMENSIONS:	
A	2.500" ±0.063
B	3.435" ±0.125
C	3.060" ±0.063
D	2.000" ±0.063
E	2.438" ±0.063
G	0.203" x 0.375" ±0.015



NOTE: ALL LEADS 8" OUT MIN.



ELECTRICAL DATA:			
TESTS	CONDITIONS	ACCEPTANCE CRITERIA	
Iex	@ 240V, 60Hz, BLU - BRN	10mA	Max.
Sec. N.L.V	@ 240V, 60Hz, BLU - BRN		
	BLU - BLU/YEL =	71.75V	±2%
	BLU - RED = RED - BRN =	120.0V	±2%
	BLU - BRN/YEL =	168.5V	±2%
	BLK - BLK/RED =	5.511V	±2%
	BLK - BLK/GRN =	7.873V	±2%
	BLK - GRN =	11.02V	±2%
DCR	@ 20°C, BLU - RED =	98.98 Ω	±20%
	@ 20°C, RED - BRN =	101.9 Ω	±20%
	@ 20°C, BLK - BLK/RED =	0.154 Ω	±20%
	@ 20°C, BLK - BLK/GRN =	0.218 Ω	±20%
	@ 20°C, BLK - GRN =	0.303 Ω	±20%
HIPOT	PRIMARY - SECONDARY	2000V, 60Hz, 1 SEC	

REV.#	REVISION	DATE	HAMMOND ELECTRONIC DIVISION		52 RANKIN PLACE, WATERLOO, ONTARIO, N2J 3Z5		PH # (519) 886-6181
0	RELEASED.	08/07/13	MANUFACTURING™				FAX # (519) 886-9540
			DWG. BY: C. ILIE	CHK'D BY:	TITLE: 1650E	DWG. NO.	
			DATE: 08/07/13	APP'D. BY:	TRANSFORMER	1650E	
				DIMENSIONS: IN(X) MM()			