

UTO SERIES



SOURIAU

Robust Metal & Shielded Connector



Contents

Overview

Typical Applications	06
Features & Benefits	07
Range Overview	08
Layouts	10
General Technical Characteristics	12

Connector

Cable Assembly	16
2 contacts + ground	20
3 contacts + ground	28
4 contacts	32
6 contacts	40
6 contacts + ground	48
8 contacts	52
10 contacts	60
12 contacts	64
19 contacts	72
23 contacts	80
26 contacts	84
28 contacts	88
30 contacts	92
32 contacts	96
35 contacts	100
38 contacts	104
41 contacts	108
48 contacts	112
55 contacts	116
61 contacts	120

Contacts

Description	126
Contact Plating Selector Guide	127
Contact Selector Guide	128
Packaging	128
Crimp Contacts	129
#16 Coaxial Contacts	131
PCB Contacts	132
Fiber Optic Contacts	133

Technical Information

Tooling	138
Crimping Instructions	140
Handle & Interchangeable Heads	142
Extraction Tools	143
Dimensions Overmolded Harnesses	143
Assembly Instructions	144
Mated Connector Length	153
Rated Current & Working Voltage	155
Shielding Effectiveness/Corrosion	156
UL94 + UL1977	157
IEC 61984 with IP Code Explanation	160
IEC 61140 Explained	162
What is NEMA Rating ?	163
Ethernet for the Layman	164

Appendices

#16 Coaxial Contacts/Cabling Notices	168
Glossary of Terms	175
Drilling Pattern	176
Discrimination/Keying Methods	180
Part Number Index	181

UTO SERIES

Overview

■ Typical Applications	06
■ Features & Benefits	07
■ Range Overview	08
■ Layouts	10
■ General Technical Characteristics	12

Typical Applications



Energy - Power



Robotics - Machine tools



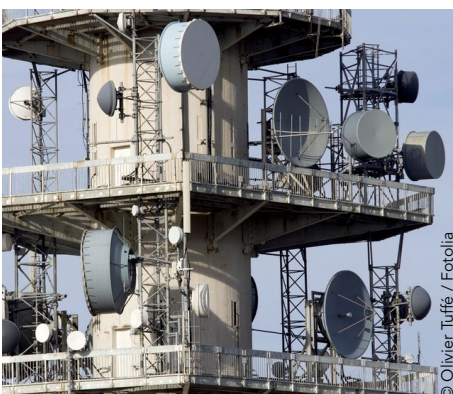
Building Automation & Control



Instrumentation measurement



Off road - Mining - Railway



Telecom - Data infrastructure

Features & Benefits

- WATER
PROOF**

IP68/69K Dynamic Mated
 Ideal for outdoor and indoor dynamic applications requiring continuous underwater immersion, routine pressure washing and dust protection.

- SIGNAL
INTEGRITY**

EMI Shielded
 65 dB at 100 Mhz: Qualified and compatible to be used in electromagnetic radiation areas and ensures proper signal integrity and transmission.

- CORROSION
RESISTANT**

Salt Spray 48 & 96 hours
 Designed to withstand climate ingress and exposure to salt spray or corrosive atmospheres while still maintaining mechanical and electrical functionality.

- QUICK
MATING**

1/3 Bayonet Coupling
 With only 1/3 twist of the bayonet coupling system, connectors are mated with audible "click" and tactile feel to confirm proper mating. This mating features eliminates connection uncertainty and reduces time and labor during installation.

- COST
SAVINGS**

Mixed Power & Signal Layouts
 Power supply and signal transmission can be combined in a unique interconnect solution to reduce system complexity and minimize component/installation costs.

Single Wire Sealing



Straight Strain Relief



Right Angle Strain Relief



Short Cable Gland



Long Cable Gland



Heat Shrink Boot Adapter



Overmolded



Choice of Crimp Contacts

- machined
- stamped and formed
- coaxial
- fiber optics



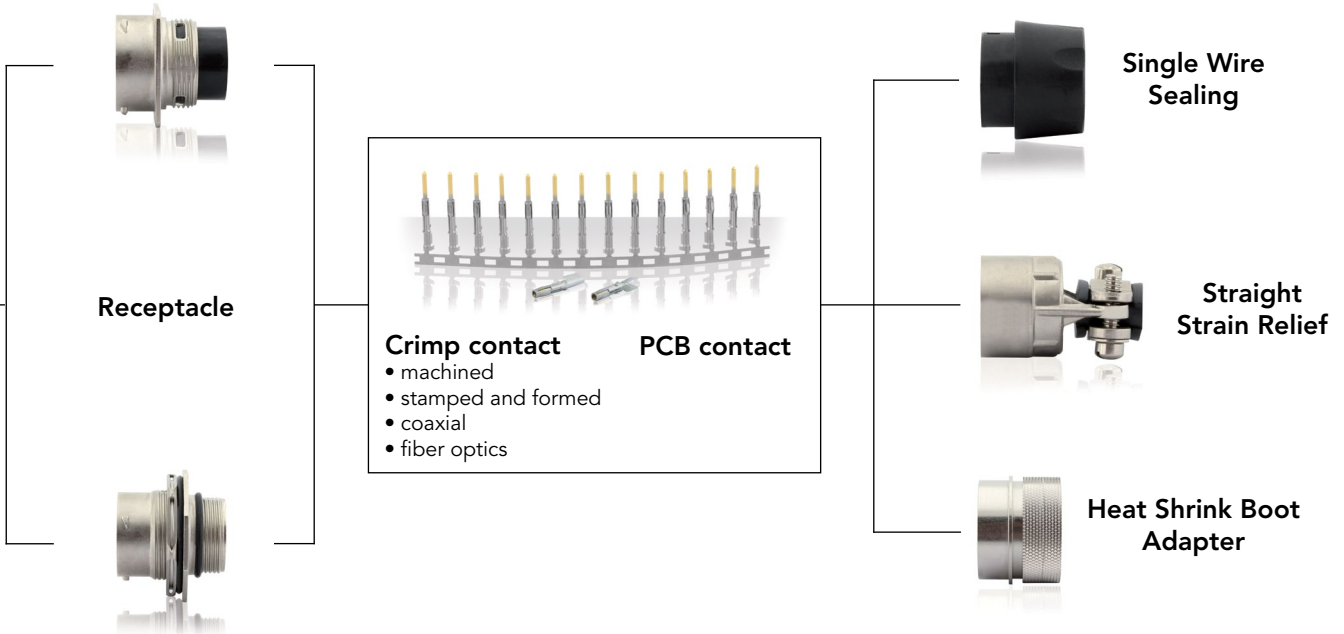
Plug

UTO Series

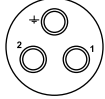
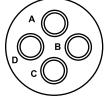
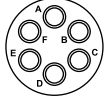
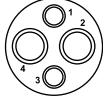
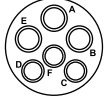
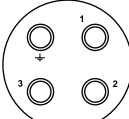
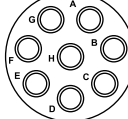
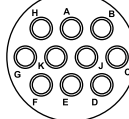
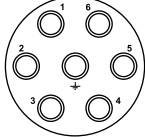
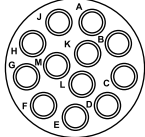
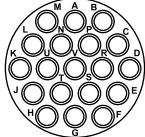
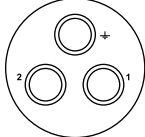
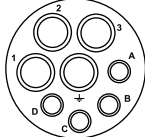
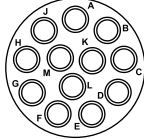
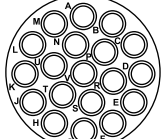
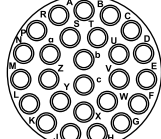


Sealed: IP68/69K
Shielded
Corrosion resistant
UL compliant

overview



Layouts (Electrical parameter according to UL1977)

Shell size	Contact #16 (Ø 1.6)	Contact #20 (Ø 1.0)	Contact #8 (Ø 3.6)	Mixed power	
10	<p>103 10A 500V 2 contacts +ground 3xØ1.6 (#16)</p>  <p>Page 20</p>	<p>104* 10A 500V 4 contacts 4xØ1.6 (#16)</p>  <p>Page 36</p>	<p>106* 5A 250V 6 contacts 6xØ1.0 (#20)</p>  <p>Page 44</p>	<p>102W2 20A 500V 4 contacts 2xØ2.4 (#12) 2xØ1.0 (#20)</p>  <p>Page 32</p>	<p>103W3 5A 250V 6 contacts 3xØ1.6 (#16) 3xØ1.0 (#20)</p>  <p>Page 40</p>
12	<p>124 16A 500V 3 contacts +ground 4xØ1.6 (#16)</p>  <p>Page 28</p>	<p>128 10A 500V 8 contacts 8xØ1.6 (#16)</p>  <p>Page 52</p>	<p>1210* 5A 250V 10 contacts 10xØ1.0 (#20)</p>  <p>Page 60</p>		
14	<p>147 10A 500V 6 contacts +ground 7xØ1.6 (#16)</p>  <p>Page 48</p>	<p>1412 10A 500V 12 contacts 12xØ1.6 (#16)</p>  <p>Page 64</p>	<p>1419 5A 250V 19 contacts 19xØ1.0 (#20)</p>  <p>Page 72</p>	<p>142G1 44A 600V 2 contacts +ground 3xØ3.6 (#8)</p>  <p>Page 24</p>	<p>148 25A 250V 8 contacts 4xØ2.4 (#12) 4xØ1.6 (#16)</p>  <p>Page 56</p>
	<p>1492 10A 500V 12 contacts 12xØ1.6 (#16)</p>  <p>Page 68</p>				
16	<p>1619* 9A 500V 19 contacts 19xØ1.6 (#16)</p>  <p>Page 76</p>	<p>1626 4A 250V 26 contacts 26xØ1.0 (#20)</p>  <p>Page 84</p>			

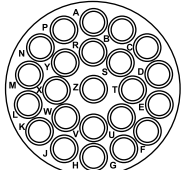
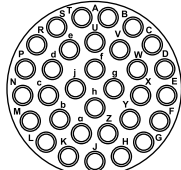
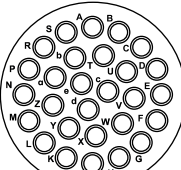
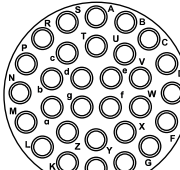
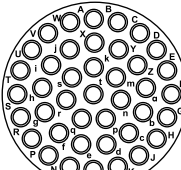
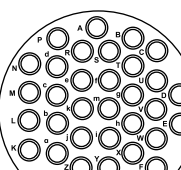
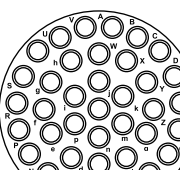
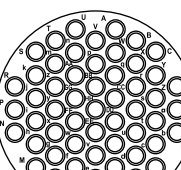
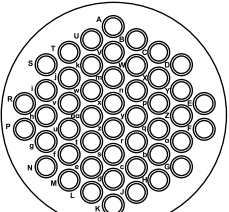
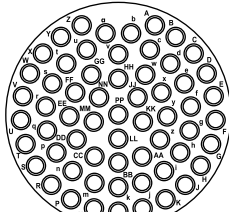
* Ethernet compatible see page 164 & 165

Contacts #16:
from AWG 30 to 14,
0.05 to 2.5 mm²

Contacts #20:
from AWG 26 to 18,
0.13 to 0.93 mm²

Contacts #8:
from AWG 16 to 8,
1.5 to 10 mm²

Contacts #12:
from AWG 22 to 12,
0.13 to 4 mm²

Shell size	Contact #16 (Ø 1.6)	Contact #20 (Ø 1.0)
18	<p>1823 8A 500V 23 contacts 23xØ1.6 (#16)</p>  <p>Page 80</p>	<p>1832 4A 250V 32 contacts 32xØ1.0 (#20)</p>  <p>Page 96</p>
20	<p>2028 5A 500V 28 contacts 28xØ1.6 (#16)</p>  <p>Page 88</p> <p>2030 5A 500V 30 contacts 30xØ1.6 (#16)</p>  <p>Page 92</p>	<p>2041 3A 250V 41 contacts 41xØ1.0 (#20)</p>  <p>Page 108</p>
22	<p>2235 5A 500V 35 contacts 35xØ1.6 (#16)</p>  <p>Page 100</p> <p>2238 5A 500V 38 contacts 38xØ1.6 (#16)</p>  <p>Page 104</p>	<p>2255 3A 250V 55 contacts 55xØ1.0 (#20)</p>  <p>Page 116</p>
24	<p>2448 5A 500V 48 contacts 48xØ1.6 (#16)</p>  <p>Page 112</p>	<p>2461 3A 250V 61 contacts 61xØ1.0 (#20)</p>  <p>Page 120</p>

General technical characteristics



Materials

- **Shell:** Zinc alloy
- **Backshells and cable glands:** Brass
- **Coupling ring:** Aluminum alloy
- **Coupling spring:** Spring stainless steel
- **Insert:** Glass-filled thermoplast
- **Contacts:** See page 125
- **Halogen free**
- **RoHS compliant & conforms to the Chinese standard SJ/T1166-2006 (Chinese RoHS equivalent)**



Environmental

- **Operating temperature:** from -40°C to +105°C
40/100/21 per NFF 61-030
- **Flammability rating:** UL94 V-0
I2F3 according to NFF 16101 and NFF 16102
- **Salt spray:** per MIL-STD-202 method 101
- 48 h (standard version)
- 96 h (black anodized coupling ring)
Higher salt spray resistance (200/500 h) upon request
- **Sealing:** Per IEC 60529/DIN 40050: Dynamic IP67 / IP68 (under 10 m of water during 1 week) / IP69K in mated condition and in combination with sealed backshell.
- **Fluid resistance:**
 - Gas and oil
 - Mineral oil
 - Acid bath
 - Basic bath
- **Shielding effectiveness:** 65 dB at 100 MHz

Electrical



- **In accordance with:**
 - UL 1977: Certificate ECBT2
File number: E169916
 - CSA C22.2: Certificate ECBT8
File number E169916
- Also see pages 10 & 11

Mechanical

- **Durability:** 500 matings & unmatings per MIL-C-26482
- **Vibration resistance:**
 - 55-2000 Hz, acceleration 15 g per MIL-C-26482 (Series 1)
 - 10-100 Hz, acceleration 2 g per NFF61030
- **Thermal shock:** 5 cycles 30 min. from -40°C to 105°C per MIL-STD-202 method 207
- **Mechanical shock:**
 - 50 g, 11 ms period per MIL-C-26482 (Series 1)
 - 30 g, 18 ms period per NFF61030

UTO Series

Connector

Upgrade of the UTO Series				16
Cable Assembly				17
2 contacts + ground				
103:	10A	500V.....		20
142G1:	44A	600V.....		24
3 contacts + ground				
124:	16A	500V.....		28
4 contacts				
102W2:	20A	500V.....		32
104*:	10A	500V.....		36
6 contacts				
103W3:	5A	250V.....		40
106*:	5A	250V.....		44
6 contacts + ground				
147:	10A	500V.....		48
8 contacts				
128:	10A	500V.....		52
148:	25A	250V.....		56
10 contacts				
1210*:	5A	250V.....		60
12 contacts				
1412:	10A	500V.....		64
1492:	10A	500V.....		68
19 contacts				
1419:	5A	250V.....		72
1619*:	9A	500V.....		76
23 contacts				
1823:	8A	500V.....		80
26 contacts				
1626:	4A	250V.....		84
28 contacts				
2028:	5A	500V.....		88
30 contacts				
2030:	5A	500V.....		92
32 contacts				
1832:	4A	250V.....		96
35 contacts				
2235:	5A	500V.....		100
38 contacts				
2238:	5A	500V.....		104
41 contacts				
2041:	3A	250V.....		108
48 contacts				
2448:	5A	500V.....		112
55 contacts				
2255:	3A	250V.....		116
61 contacts				
2461:	3A	250V.....		120

Electrical parameters according to UL1977

* Ethernet compatible see pages 164 & 165

Upgrade of the UTO Series



Description of Change:

To better meet the demanding requirements and diversity of industrial markets/applications, SOURIAU changed the position of the wavy washer inside the plug. This slight modification makes the new version of the UTO sealed to IP68/69K in dynamic conditions.

Product Part Number:

Below is an overview of the old part numbers with the corresponding new part numbers.

Note that some of the old part numbers where backshells were included will now be sold individually, i.e. plug connector + backshell.

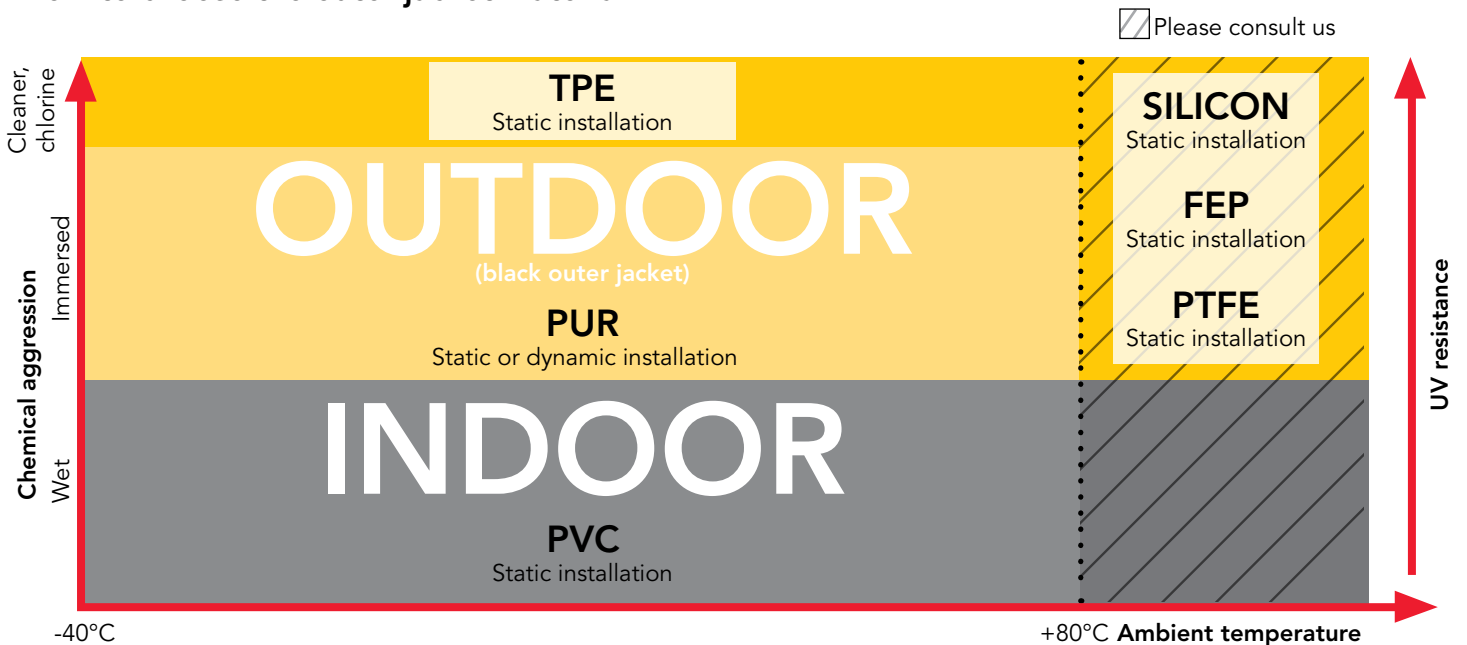
Old part number	New part number connector	New part number backshell	Comments
UT00/6-S/PT	UT00/6-S/PH(6)	-	-
UT00-S/PHT	UT00-S/PH(6)	-	-
UT00/6AC-S/PT	UT00/6-S/PH(6)	-	-
UT00/6PG-S/PHT	UT00/6-S/PH(6)	UT0-AC	-
UTO-21/22-	Keep old part number	UT0-JC	Silksreen version
UTO-44/45-	Keep old part number	-	Screw coupling version
UTO-ACT	-	UT0-AC	851 backshell Nickel plated
UTO-PGT	-	UT0-JC	Longer threading on connector side + metric cable gland
UTOS-PGT	-	UT0S-JC	Longer threading on connector side + shielded metric cable gland
U-AD01T	UT0-AD01	UT0-AD01	Longer threading to achieve sealing
U-AD01N	Keep old part number	-	Used on old UT06-45N screw coupling version

Cable Assembly

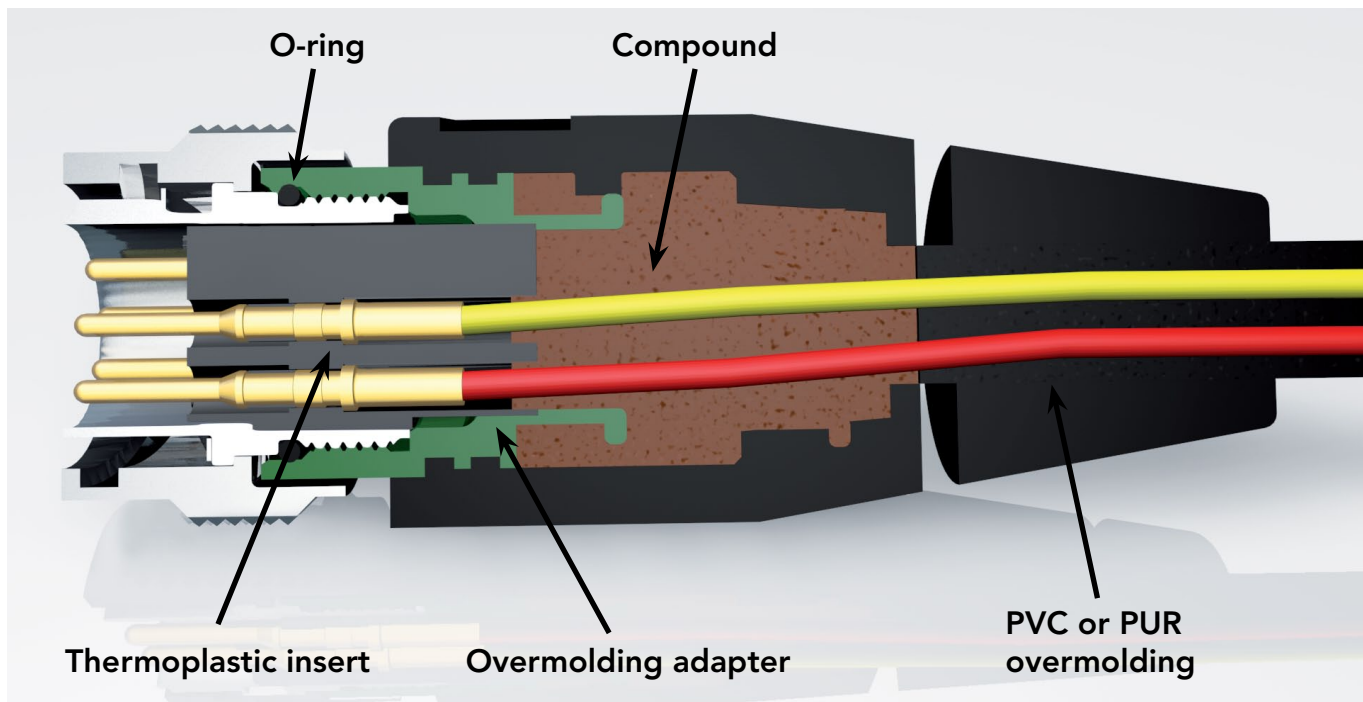
SOURIAU has provided connectors for various applications for more than 90 years and has been used in the most extreme environments. Conscious about the difficulty in finding a quick and reliable harness manufacturer, we began our own in-house cable assembly production. It allows customers to reduce the number of suppliers and to take advantage of the "best in class" quality of the SOURIAU group. Overmolding is a process that further enhances the sealing properties and helps to minimize stress on the cable termination to the connector. In addition, the wires are encapsulated inside the molding which creates a barrier preventing liquid/moisture from entering the equipment through the connector or cable jacket if breached.



How to choose the outer jacket material

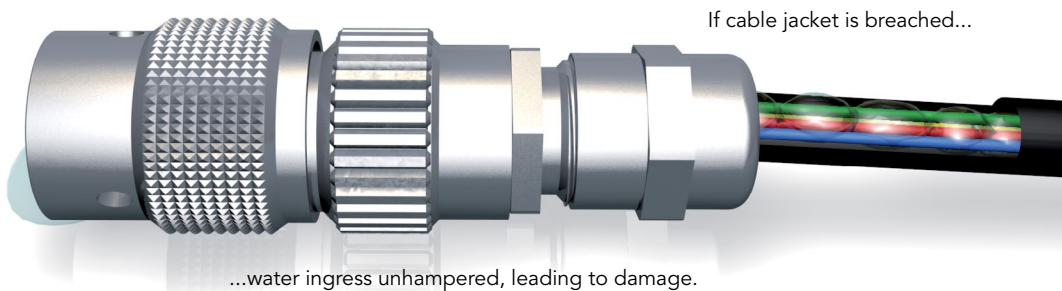


Overmolding Description



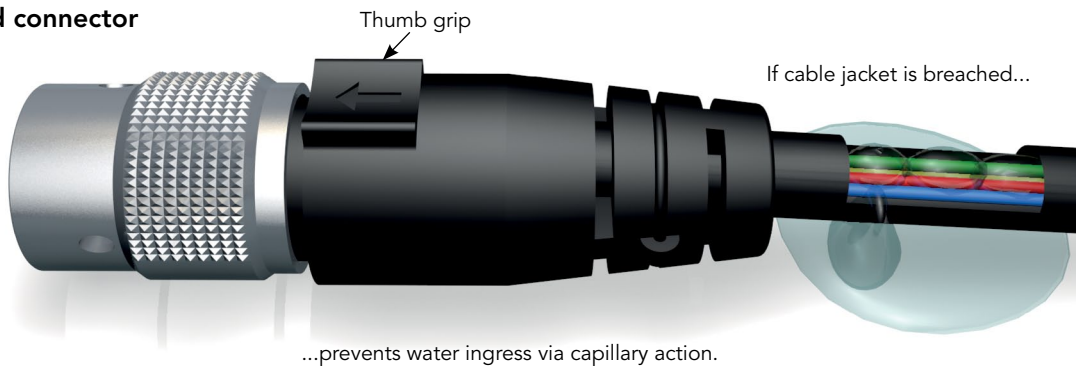
Discrete connector

GOOD



Overmolded connector

BEST



UTO Robust Metal & Shielded Cable Assembly



Description

Connector

- Shielded metal connector
- Extreme sealing: IP68/69K dynamic mated
- 26 layouts
- Rapid 1/3 turn connection

Cable

- Polyurethane Jacket (Black)
- 16 AWG conductors
- Multi-conductor 8
- 300V
- Shielded
- Flammability rating UL 1581 Sec.1080 (VW-1)

Applications

- Machining Centers (Oil Resistant)
- Assembly Automation Equipment
- Geophysical Equipment
- Solar (UV Stable)
- Outdoor Displays

Specifications

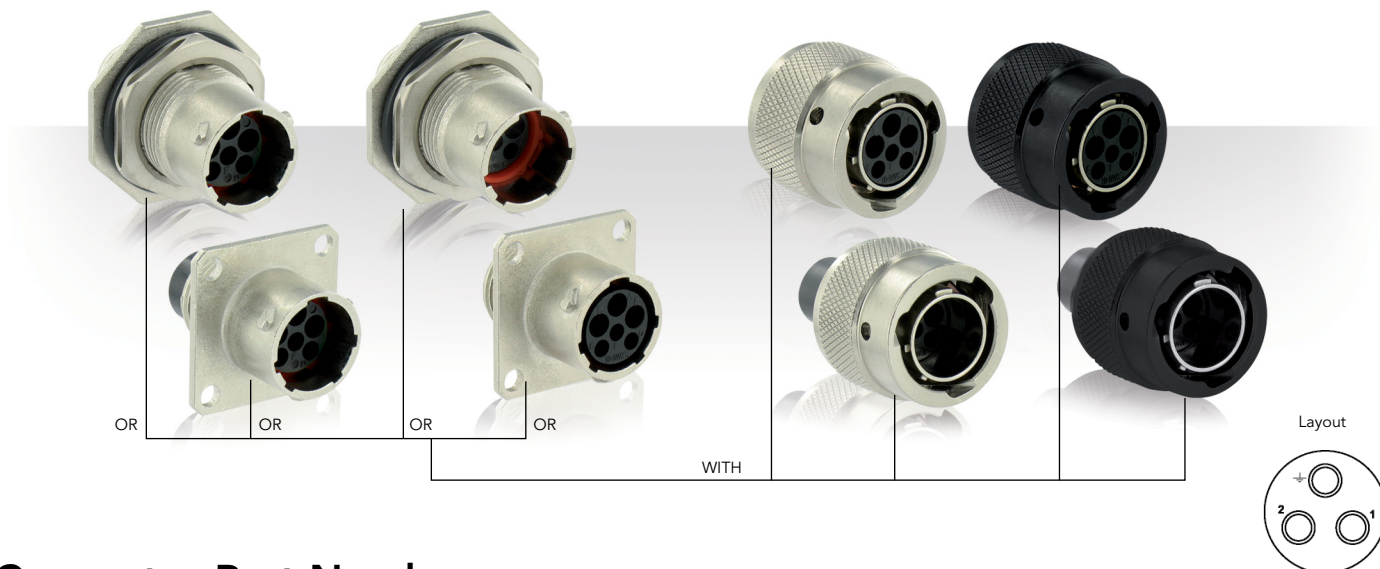
PLATING	SALT SPRAY	DEGREE	WATERPROOF	COUPLING
Black anodized*	96 H	-40° C + 50° C	IP68/69K dynamic mated	500 matings/unmatings
Nickel	48 H			

* Custom black anodized version available on demand

Description

Series	Nbr contacts	Size	Wire size	Description	Length (FT)	Part number
UTO	8	12	16 AWG	D/E assembly 1 male plug & 1 female plug	3	UT06V1208PS03FT00
UTO	8	12	16 AWG	D/E assembly 1 male plug & 1 female plug	6	UT06V1208PS06FT00
UTO	8	12	16 AWG	D/E assembly 1 male plug & 1 female plug	12	UT06V1208PS12FT00
UTO	8	12	16 AWG	S/E assembly 1 female plug	3	UT06V1208S03FT00
UTO	8	12	16 AWG	S/E assembly 1 female plug	6	UT06V1208S06FT00
UTO	8	12	16 AWG	S/E assembly 1 female plug	12	UT06V1208S12FT00
UTO	8	12	16 AWG	S/E assembly 1 male plug	3	UT06V1208P03FT00
UTO	8	12	16 AWG	S/E assembly 1 male plug	6	UT06V1208P06FT00
UTO	8	12	16 AWG	S/E assembly 1 male plug	12	UT06V1208P12FT00

103 (Shell size 10, 2 + ground, 3x#16)



Connector Part Numbers

Drilling pattern see page 176

Contact type	Connector type	Sealing	Salt spray	Part number	
				Male insert	Female insert
Contacts supplied separately see page 23	Square flange receptacle	IP67	96h	UT00103PH	UT00103SH
		IP68 & IP69K	96h	UT00103PH6	UT00103SH6
	Plug	IP67, IP68 & IP69K	48h	UT06103PH	UT06103SH
		IP67, IP68 & IP69K	96h	UT06103PH02 (Black)	UT06103SH02 (Black)
	Jam nut receptacle	IP67	48h	UT07103PH	UT07103SH
		IP68 & IP69K	48h	UT07103PH6	UT07103SH6
		IP67	96h	UT07103PH01	UT07103SH01
		IP68 & IP69K	96h	UT07103PH601	UT07103SH601

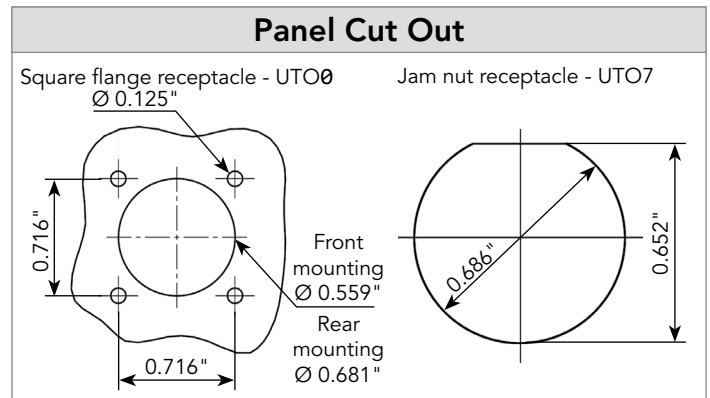
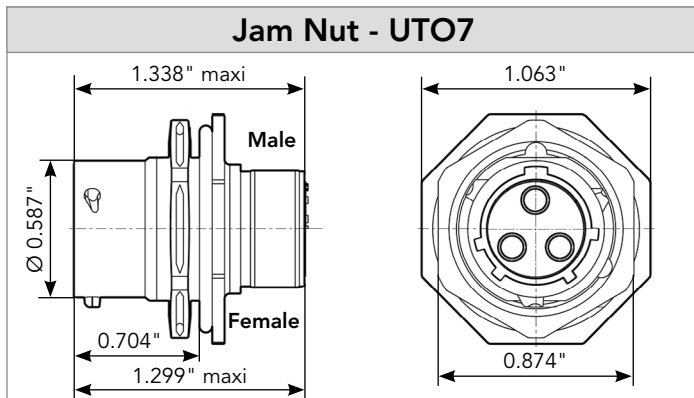
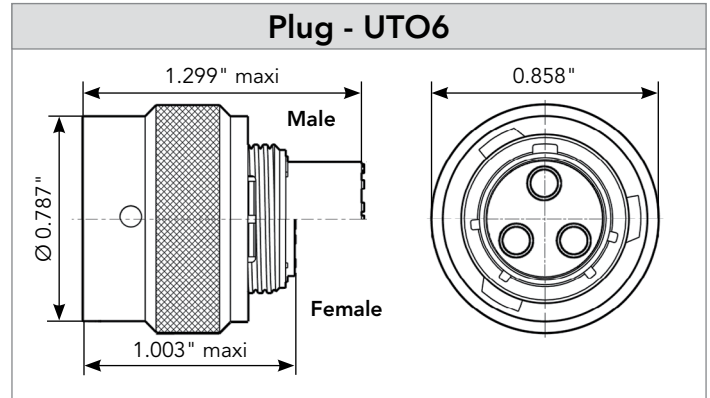
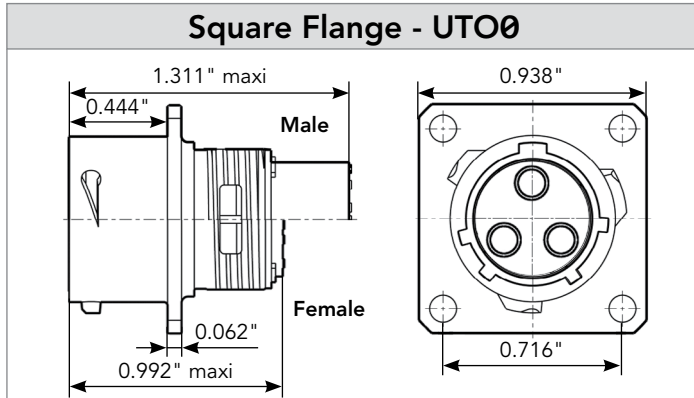
Backshells

Backshell type	Shielding	Cable range (Ø inch) min/max	Part number	
			Short version	Long version
Cable gland with strain relief nut for water protected applications (IP68 & IP69K) (Fig.1)	-	0.118"/0.236"	UT010JCS	UT010JC
Cable gland with large strain relief nut for water protected applications (IP68 & IP69K) (Fig.2)	-	0.196"/0.314"	UT010JCSL	UT010JCL
Shielded cable gland with strain relief nut for water protected applications (IP68 & IP69K) (Fig.3)	✓	0.157"/0.255"	UT0S10JCS	UT0S10JC
Shielded cable gland with large strain relief nut for water protected applications (IP68 & IP69K) (Fig.4)	✓	0.196"/0.334"	UT0S10JCSL	UT0S10JCL
Metal cable clamp with strain relief (Fig.5)	-	0.196"	UT010AC	
Metal shrink boot adaptor (Fig.6)	-	-	UT010AD	
Metal right angle cable clamp with strain relief nut (Fig.7)	-	0.157"/0.393"	UT010LPGN	
Shielded cable clamp with plastic strain relief nut (Fig.8)	✓	0.157"/0.346"	UT0S10JCPGN	
Cable clamp with plastic strain relief nut (Fig.8)	-	0.157"/0.393"	UT010JCPGN	

103 (Shell size 10, 2 + ground, 3x#16)



Dimensions



Backshells (for Mated Connector Length: See Page 153)

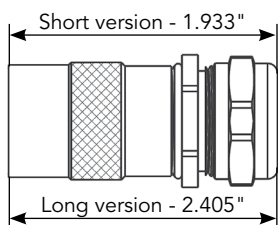


Fig. 1

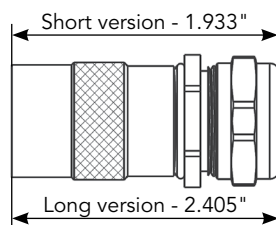


Fig. 2

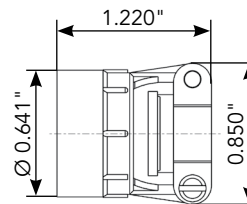


Fig. 5

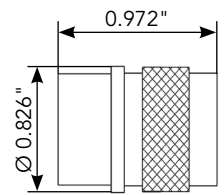


Fig. 6

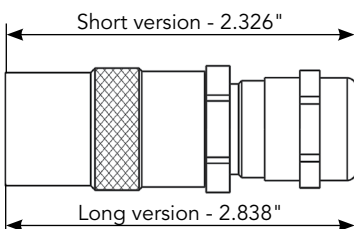


Fig. 3

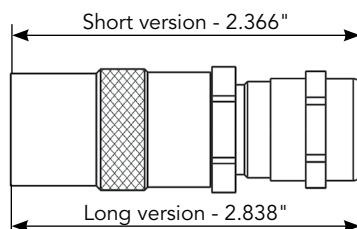


Fig. 4

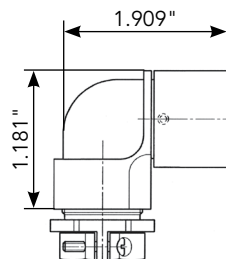


Fig. 7

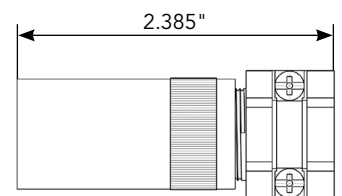


Fig. 8

Note: all dimensions are in inches

103 (Shell size 10, 2 + ground, 3x#16)

Accessories and Tooling

Dustcap (Receptacle)



Part number
UT010DCG*

Dustcap (Plug)




Part number
UTG610DCG*

Handle (without Head)




Part number
SHANDLES

Tool Kit



Part number
TOOLKIT

Gasket



Part number / Neoprene
UTFD12B

Dummy Contact #16



Part number / Polyamide 6.6
SMSPE0


See page 180 for more information

Extraction Tool #16



Part number
RX2025GE1

Crimp Tooling (without Shandles)



Contacts	Contact size	Part number of head	
RM/RC 28M1K ⁽¹⁾	Standard contacts #16 Ø 1.6mm	S16RCM20*	
RM/RC 24M9K ⁽¹⁾		S16RCM20*	
RM/RC 20M13K ⁽¹⁾		S16RCM20*	
RM/RC 20M12K ⁽¹⁾		S16RCM20*	
RM/RC 16M23K ⁽¹⁾		S16RCM16*	
RM/RC 14M30K ⁽¹⁾		S16RCM14*	
SM/SC 24ML1TK6 ⁽¹⁾		S16SCM20*	
SM/SC 20ML1TK6 ⁽¹⁾		S16SCM20*	
SM/SC 16ML1TK6 ⁽¹⁾		S16SCML1*	
SM/SC 14ML1TK6 ⁽¹⁾		S16SCML1*	
SM/SC 16ML11TK6 ⁽¹⁾		S16SCML11*	
RMDXK10D28K		Coaxial contacts	M10S1J with die set & stop bushing see page 172 to 174
RCDXK1D28K			
RM/RC DX60xxD28K			
RM/RC DXK10D28 + york090			
RM/RC DX60xxD28			

(1): Example of plating, for other plating options see page 129
* Heads to be used with handle PN: SHANDLES



* For dustcap without chain, skip "G", e.g. UT010DC

103 (Shell size 10, 2 + ground, 3x#16)

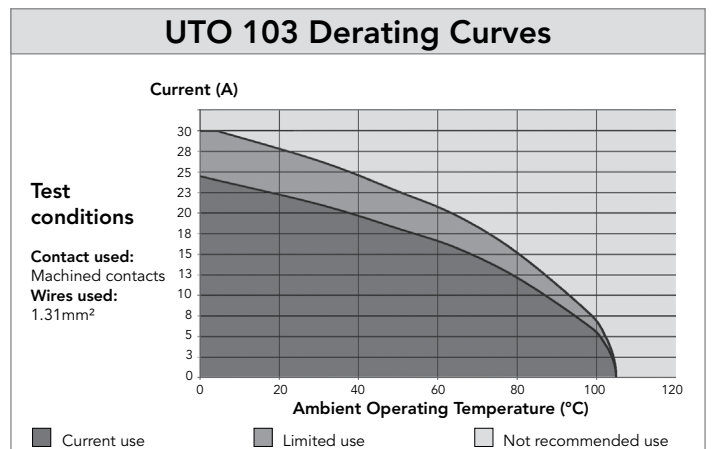


Contacts

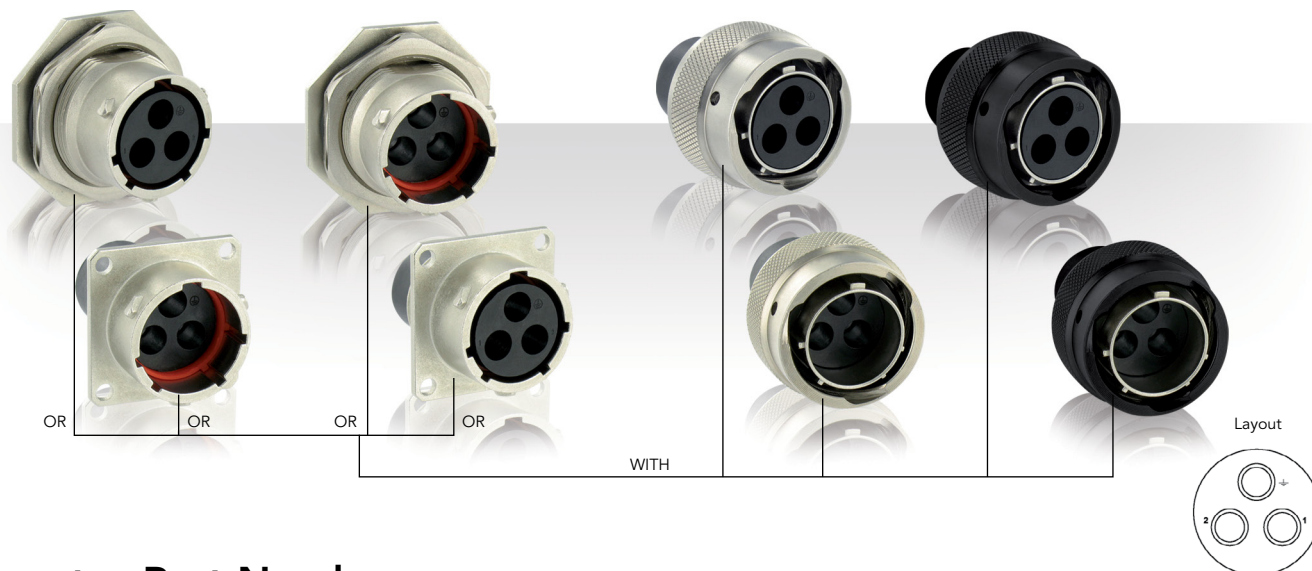
#16	Contact type	AWG	Part number		Max wire Ø	Max insulator Ø
			Male	Female		
Crimp	Machined	30-28	RM28M1K ⁽¹⁾	RC28M1K ⁽¹⁾	0.021"	0.039"
		26-24	RM24M9K ⁽¹⁾	RC24M9K ⁽¹⁾	0.031"	0.062"
		22-20	RM20M13K ⁽¹⁾	RC20M13K ⁽¹⁾	0.045"	0.070"
		22-20	RM20M12K ⁽¹⁾	RC20M12K ⁽¹⁾	0.045"	0.086"
		20-16	RM16M23K ⁽¹⁾	RC16M23K ⁽¹⁾	0.070"	0.125"
		16-14	RM14M30K ⁽¹⁾	RC14M30K ⁽¹⁾	0.090"	0.125"
	Stamped & Formed reeled contacts See note (2) for loose piece	26-24	SM24M1TK6 ⁽¹⁾⁽²⁾	SC24M1TK6 ⁽¹⁾⁽²⁾	-	0.035"-0.062"
		22-20	SM20M1TK6 ⁽¹⁾⁽²⁾	SC20M1TK6 ⁽¹⁾⁽²⁾	-	0.047"-0.082"
		18-16	SM16M1TK6 ⁽¹⁾⁽²⁾	SC16M1TK6 ⁽¹⁾⁽²⁾	-	0.125"
		18-16	SM16M11TK6 ⁽¹⁾⁽²⁾	SC16M11TK6 ⁽¹⁾⁽²⁾	-	0.118"
14		SM14M1TK6 ⁽¹⁾⁽²⁾	SC14M1TK6 ⁽¹⁾⁽²⁾	-	0.125"	
PCB	Machined ⁽³⁾	-	RM20M12E8K ⁽¹⁾	RC20M12E84K ⁽¹⁾	-	-
Coaxial	Cable Multipiece	see pages 131, 168 to 174	RMDXK10D28	RCDXK1D28	-	-
	Cable Monocrimp		RMDX60xxD28	RCDX60xxD28	-	-
	Twisted pair Multipiece		RMDXK10D28 + york090	RCDXK1D28 + york090	-	-
	Twisted pair Monocrimp		RMDX60xxD28	RCDX60xxD28	-	-

(1): Example of plating, for other plating options see page 129
 (2): For loose piece contact packaging, place "L" in part number. Example: SM20ML1TK6
 (3): For dimensions see page 132
 Note: all dimensions are in inches

Electrical Characteristics
<p>UL 10A 500V UL94 V-0</p> <p>CSA 7A 500V UL94 V-0</p> <p>IEC 16A 150V 2.5kV 3</p>



142G1 (Shell size 14, 2 + ground, 3x#8)



Connector Part Numbers

Drilling pattern see page 176

Contact type	Connector type	Sealing	Salt spray	Part number	
				Male insert	Female insert
Contacts supplied separately see page 27	Square flange receptacle	IP67	96h	UT00142G1PH	UT00142G1SH
		IP68 & IP69K	96h	UT00142G1PH6	UT00142G1SH6
	Plug	IP67, IP68 & IP69K	48h	UT06142G1PH	UT06142G1SH
		IP67, IP68 & IP69K	96h	UT06142G1PH02 (Black)	UT06142G1SH02 (Black)
	Jam nut receptacle	IP67	48h	UT07142G1PH	UT07142G1SH
		IP68 & IP69K	48h	UT07142G1PH6	UT07142G1SH6
		IP67	96h	UT07142G1PH01	UT07142G1SH01
		IP68 & IP69K	96h	UT07142G1PH601	UT07142G1SH601

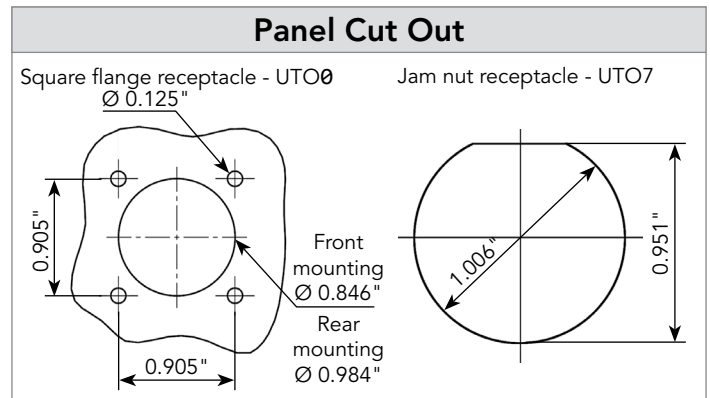
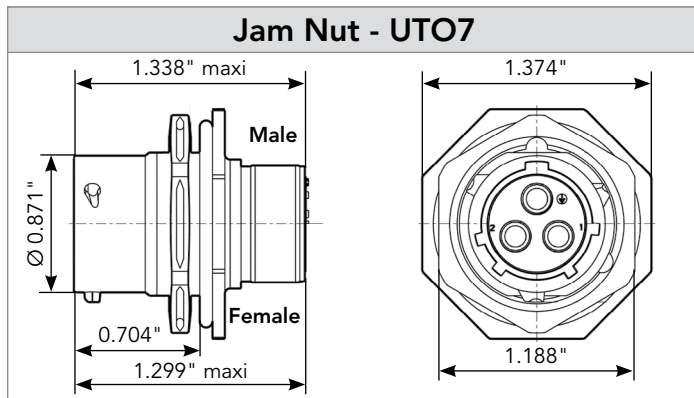
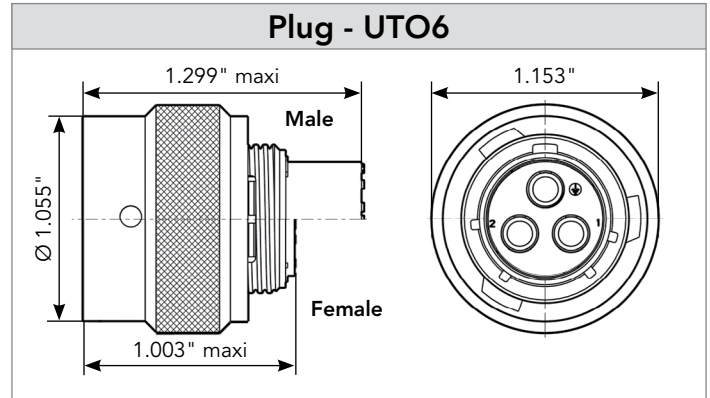
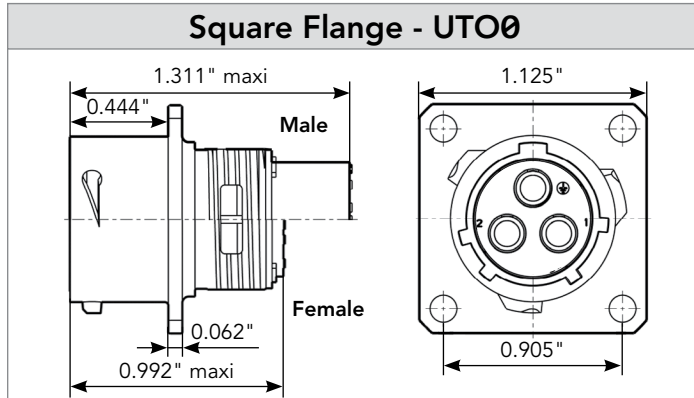
Backshells

Backshell type	Shielding	Cable range (Ø inch) min/max	Part number	
			Short version	Long version
Cable gland with strain relief nut for water protected applications (IP68 & IP69K) (Fig.1)	-	0.236"/0.393"	UT014JCS	UT014JC
Cable gland with large strain relief nut for water protected applications (IP68 & IP69K) (Fig.2)	-	0.314"/0.472"	UT014JCSL	UT014JCL
Shielded cable gland with strain relief nut for water protected applications (IP68 & IP69K) (Fig.3)	✓	0.275"/0.413"	UT0S14JCS	UT0S14JC
Shielded cable gland with large strain relief nut for water protected applications (IP68 & IP69K) (Fig.4)	✓	0.314"/0.492"	UT0S14JCSL	UT0S14JCL
Metal cable clamp with strain relief (Fig.5)	-	0.393"	UT014AC	
Metal shrink boot adaptor (Fig.6)	-	-	UT014AD	
Metal right angle cable clamp with strain relief nut (Fig.7)	-	0.255"/0.551"	UT014LPGN	
Shielded cable clamp with plastic strain relief nut (Fig.8)	✓	0.255"/0.531"	UT0S14JCPGN	
Cable clamp with plastic strain relief nut (Fig.8)	-	0.255"/0.531"	UT014JCPGN	

142G1 (Shell size 14, 2 + ground, 3x#8)



Dimensions



Backshells (for Mated Connector Length: See Page 153)

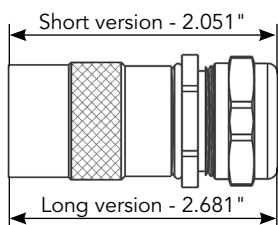


Fig. 1

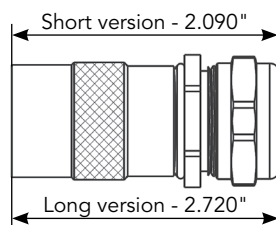


Fig. 2

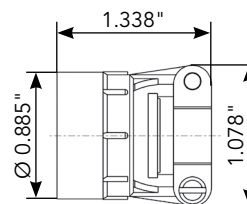


Fig. 5

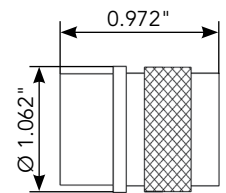


Fig. 6

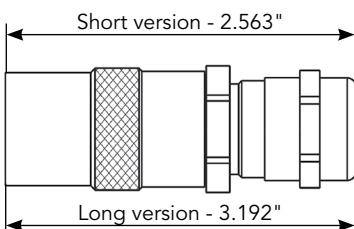


Fig. 3

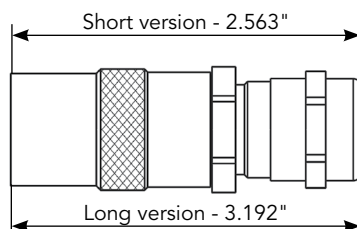


Fig. 4

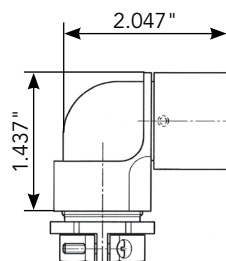


Fig. 7

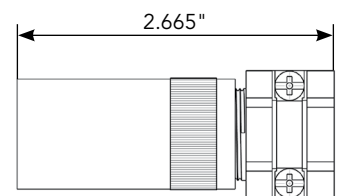


Fig. 8

Note: all dimensions are in inches

142G1 (Shell size 14, 2 + ground, 3x#8)

Accessories and Tooling

Dustcap (Receptacle)




Part number
UT014DCG*

Dustcap (Plug)



Part number
UTG614DCG*

Gasket



Part number / Neoprene
UTFD14B

Hand tool



Part number
M317

Positioner + Locator Setting



Part number
VGE10078A

Extraction Tool #8



Part number
51060210936

* For dustcap without chain, skip "G", e.g. UT014DC

142G1 (Shell size 14, 2 + ground, 3x#8)



Contacts

#8	Contact type	AWG	Part number		Max wire Ø	Max insulator Ø
			Male	Female		
Crimp	Machined	16	82913601A	82913600A	0.067"	0.255"
		14	82913603A	82913602A	0.087"	
		12	82913605A	82913604A	0.111"	
		10	82913607A	82913606A	0.137"	
		8	82913609A	82913608A	0.171"	
PCB	Machined ⁽²⁾	-	82911685NPC ⁽¹⁾	82911684NPC ⁽¹⁾	-	-

(1): Example of plating, for other plating options see page 129
 (2): For dimensions see page 132

Note: all dimensions are in inches

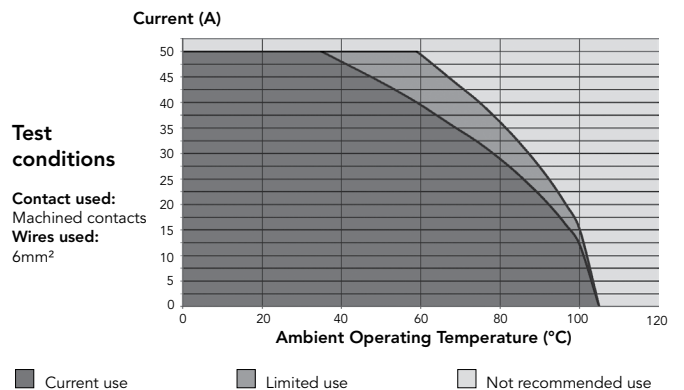
Electrical Characteristics

UL
44A 600V UL94 V-0

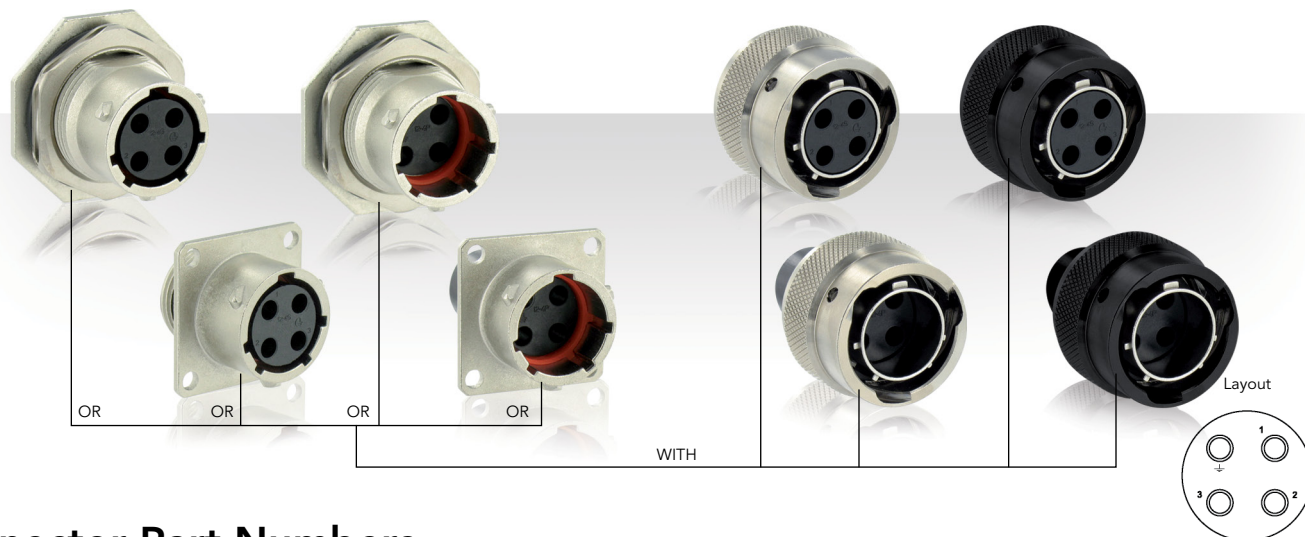
CSA
30A 600V UL94 V-0

IEC
40A 250V 3kV 3

UTO 142G1 Derating Curves



124 (Shell size 12, 3 + ground, 4x#16)



Connector Part Numbers

Drilling pattern see page 176

Contact type	Connector type	Sealing	Salt spray	Part number	
				Male insert	Female insert
Contacts supplied separately see page 31	Square flange receptacle	IP67	96h	UT00124PH	UT00124SH
		IP68 & IP69K	96h	UT00124PH6	UT00124SH6
	Plug	IP67, IP68 & IP69K	48h	UT06124PH	UT06124SH
		IP67, IP68 & IP69K	96h	UT06124PH02 (Black)	UT06124SH02 (Black)
	Jam nut receptacle	IP67	48h	UT07124PH	UT07124SH
		IP68 & IP69K	48h	UT07124PH6	UT07124SH6
		IP67	96h	UT07124PH01	UT07124SH01
		IP68 & IP69K	96h	UT07124PH601	UT07124SH601

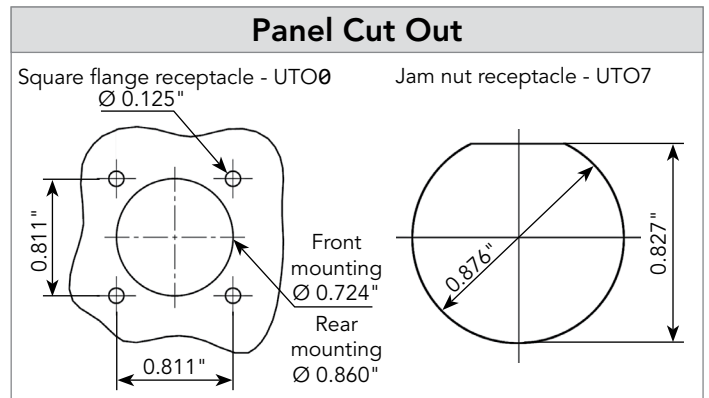
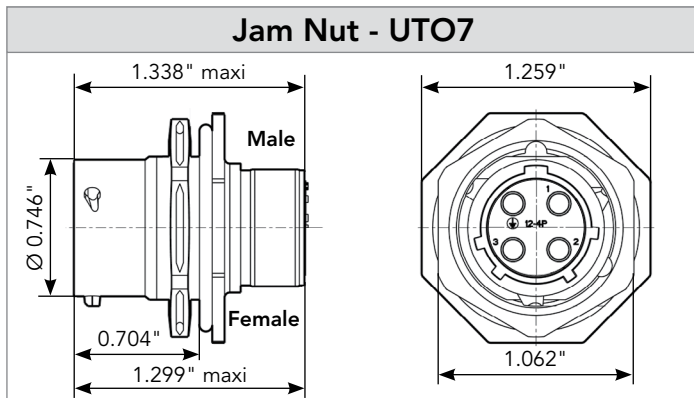
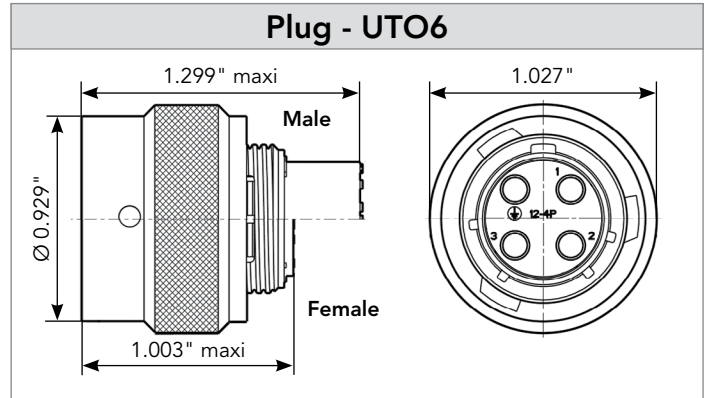
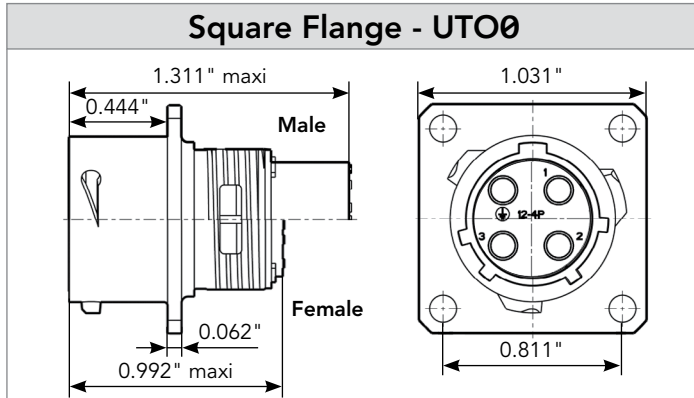
Backshells

Backshell type	Shielding	Cable range (Ø inch) min/max	Part number	
			Short version	Long version
Cable gland with strain relief nut for water protected applications (IP68 & IP69K) (Fig.1)	-	0.236"/0.393"	UT012JCS	UT012JC
Cable gland with large strain relief nut for water protected applications (IP68 & IP69K) (Fig.2)	-	0.314"/0.472"	UT012JCSL	UT012JCL
Shielded cable gland with strain relief nut for water protected applications (IP68 & IP69K) (Fig.3)	✓	0.275"/0.413"	UT0S12JCS	UT0S12JC
Shielded cable gland with large strain relief nut for water protected applications (IP68 & IP69K) (Fig.4)	✓	0.314"/0.492"	UT0S12JCSL	UT0S12JCL
Metal cable clamp with strain relief (Fig.5)	-	0.322"	UT012AC	
Metal shrink boot adaptor (Fig.6)	-	-	UT012AD	
Metal right angle cable clamp with strain relief nut (Fig.7)	-	0.255"/0.472"	UT012LPGN	
Shielded cable clamp with plastic strain relief nut (Fig.8)	✓	0.255"/0.468"	UT0S12JCPGN	
Cable clamp with plastic strain relief nut (Fig.8)	-	0.255"/0.468"	UT012JCPGN	

124 (Shell size 12, 3 + ground, 4x#16)

Dimensions

3 +
⊕



Backshells (for Mated Connector Length: See Page 153)

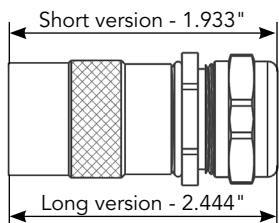


Fig. 1

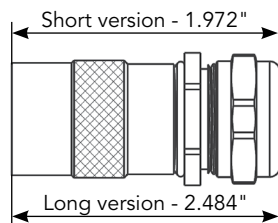


Fig. 2

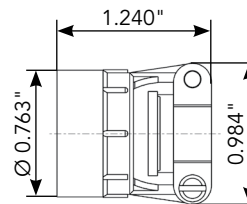


Fig. 5

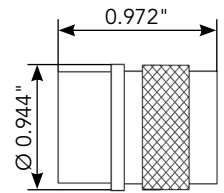


Fig. 6

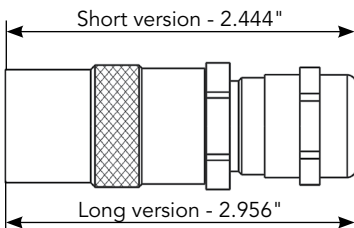


Fig. 3

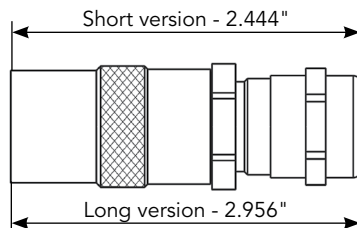


Fig. 4

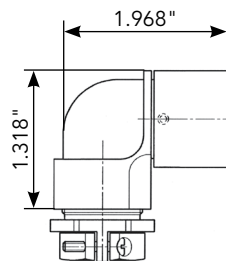


Fig. 7

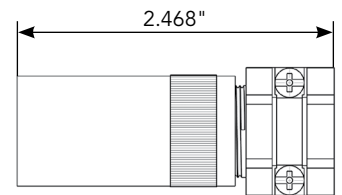


Fig. 8

Note: all dimensions are in inches

124 (Shell size 12, 3 + ground, 4x#16)

Accessories and Tooling

Dustcap (Receptacle)



Part number
UT012DCG*

Dustcap (Plug)




Part number
UTG612DCG*

Handle (without Head)




Part number
SHANDLES

Tool Kit



Part number
TOOLKIT

Gasket



Part number / Neoprene
UTFD13B

Dummy Contact #16



Part number / Polyamide 6.6
SMSPK00


See page 180 for more information

Extraction Tool #16



Part number
RX2025GE1

Crimp Tooling (without Shandles)



Contacts	Contact size	Part number of head	
RM/RC 28M1K ⁽¹⁾	Standard contacts #16 Ø 1.6mm	S16RCM20*	
RM/RC 24M9K ⁽¹⁾		S16RCM20*	
RM/RC 20M13K ⁽¹⁾		S16RCM20*	
RM/RC 20M12K ⁽¹⁾		S16RCM20*	
RM/RC 16M23K ⁽¹⁾		S16RCM16*	
RM/RC 14M30K ⁽¹⁾		S16RCM14*	
SM/SC 24ML1TK6 ⁽¹⁾		S16SCM20*	
SM/SC 20ML1TK6 ⁽¹⁾		S16SCM20*	
SM/SC 16ML1TK6 ⁽¹⁾		S16SCML1*	
SM/SC 14ML1TK6 ⁽¹⁾		S16SCML1*	
SM/SC 16ML11TK6 ⁽¹⁾		S16SCML11*	
RMDXK10D28K		Coaxial contacts	M10S1J with die set & stop bushing see page 172 to 174
RCDXK1D28K			
RM/RC DX60xxD28K			
RM/RC DXK10D28 + york090			
RM/RC DX60xxD28			

(1): Example of plating, for other plating options see page 129
* Heads to be used with handle PN: SHANDLES



* For dustcap without chain, skip "G", e.g. UT012DC

124 (Shell size 12, 3 + ground, 4x#16)

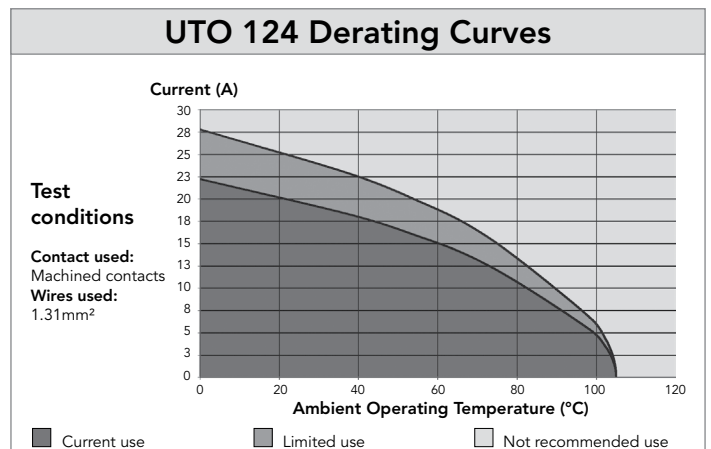
Contacts

3 +
⏏

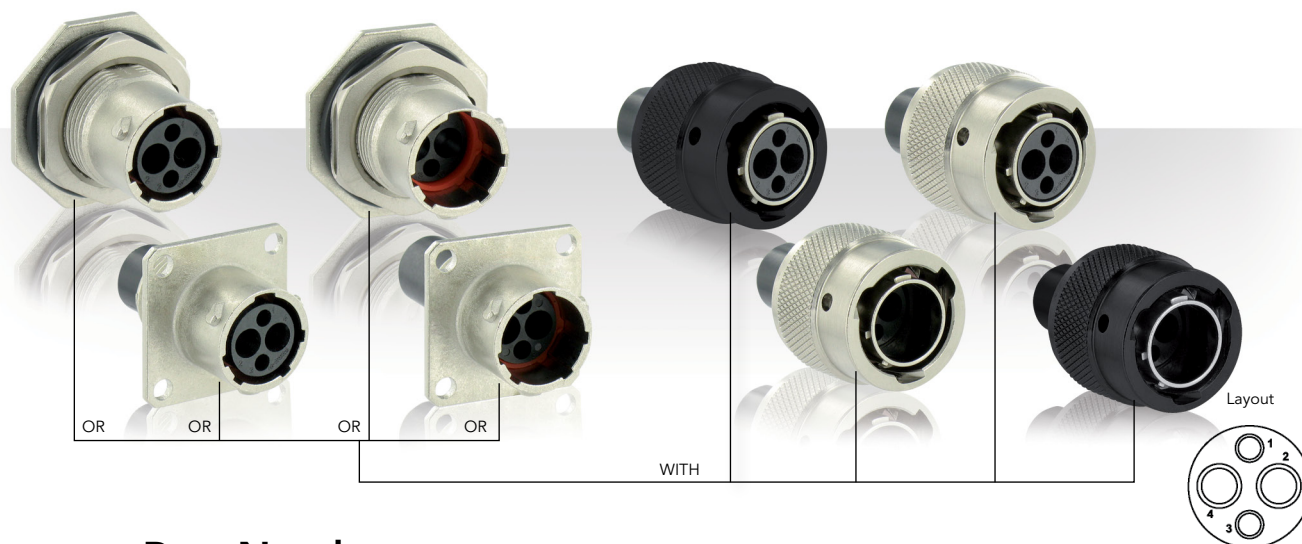
#16	Contact type	AWG	Part number		Max wire Ø	Max insulator Ø
			Male	Female		
Crimp	Machined	30-28	RM28M1K ⁽¹⁾	RC28M1K ⁽¹⁾	0.021"	0.039"
		26-24	RM24M9K ⁽¹⁾	RC24M9K ⁽¹⁾	0.031"	0.062"
		22-20	RM20M13K ⁽¹⁾	RC20M13K ⁽¹⁾	0.045"	0.070"
		22-20	RM20M12K ⁽¹⁾	RC20M12K ⁽¹⁾	0.045"	0.086"
		20-16	RM16M23K ⁽¹⁾	RC16M23K ⁽¹⁾	0.070"	0.125"
		16-14	RM14M30K ⁽¹⁾	RC14M30K ⁽¹⁾	0.090"	0.125"
	Stamped & Formed reeled contacts See note (2) for loose piece	26-24	SM24M1TK6 ⁽¹⁾⁽²⁾	SC24M1TK6 ⁽¹⁾⁽²⁾	-	0.035"-0.062"
		22-20	SM20M1TK6 ⁽¹⁾⁽²⁾	SC20M1TK6 ⁽¹⁾⁽²⁾	-	0.047"-0.082"
		18-16	SM16M1TK6 ⁽¹⁾⁽²⁾	SC16M1TK6 ⁽¹⁾⁽²⁾	-	0.125"
		18-16	SM16M11TK6 ⁽¹⁾⁽²⁾	SC16M11TK6 ⁽¹⁾⁽²⁾	-	0.118"
14		SM14M1TK6 ⁽¹⁾⁽²⁾	SC14M1TK6 ⁽¹⁾⁽²⁾	-	0.125"	
PCB	Machined ⁽³⁾	-	RM20M12E8K ⁽¹⁾	RC20M12E84K ⁽¹⁾	-	-
Coaxial	Cable Multipiece	see pages 131, 168 to 174	RMDXK10D28	RCDXK1D28	-	-
	Cable Monocrimp		RMDX60xxD28	RCDX60xxD28	-	-
	Twisted pair Multipiece		RMDXK10D28 + york090	RCDXK1D28 + york090	-	-
	Twisted pair Monocrimp		RMDX60xxD28	RCDX60xxD28	-	-

(1): Example of plating, for other plating options see page 129
 (2): For loose piece contact packaging, place "L" in part number. Example: SM20ML1TK6
 (3): For dimensions see page 132
 Note: all dimensions are in inches

Electrical Characteristics
<p>UL 16A 500V UL94 V-0</p> <p>CSA 13A 500V UL94 V-0</p> <p>IEC 16A 150V 2.5kV 3</p>



102W2 (Shell size 10, 2x#12 + 2x#20)



Connector Part Numbers

Drilling pattern see page 176

Contact type	Connector type	Sealing	Salt spray	Part number	
				Male insert	Female insert
Contacts supplied separately see page 35	Square flange receptacle	IP67	96h	UT00102W2PH	UT00102W2SH
		IP68 & IP69K	96h	UT00102W2PH6	UT00102W2SH6
	Plug	IP67, IP68 & IP69K	48h	UT06102W2PH	UT06102W2SH
		IP67, IP68 & IP69K	96h	UT06102W2PH02 (Black)	UT06102W2SH02 (Black)
	Jam nut receptacle	IP67	48h	UT07102W2PH	UT07102W2SH
		IP68 & IP69K	48h	UT07102W2PH6	UT07102W2SH6
		IP67	96h	UT07102W2PH01	UT07102W2SH01
		IP68 & IP69K	96h	UT07102W2PH601	UT07102W2SH601

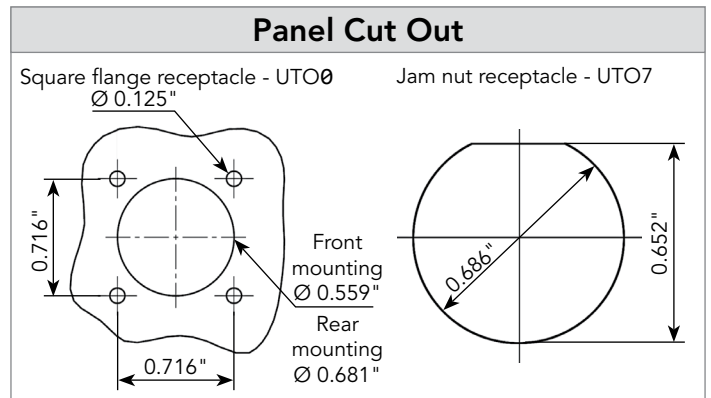
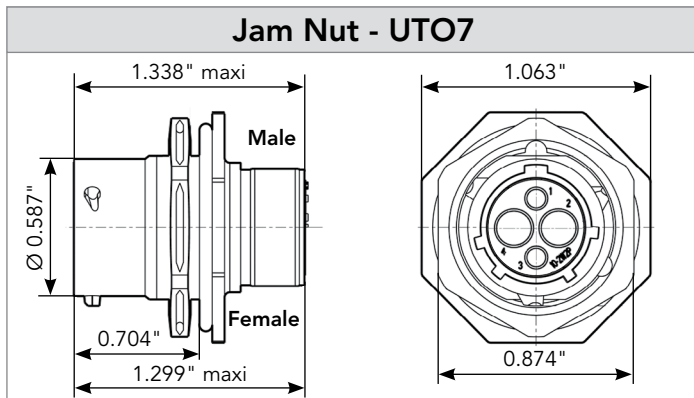
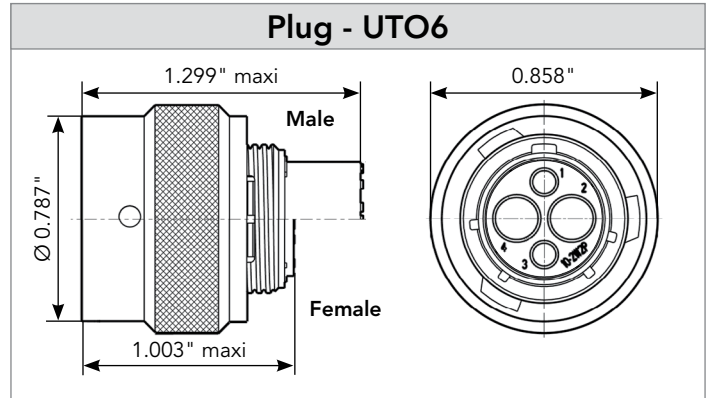
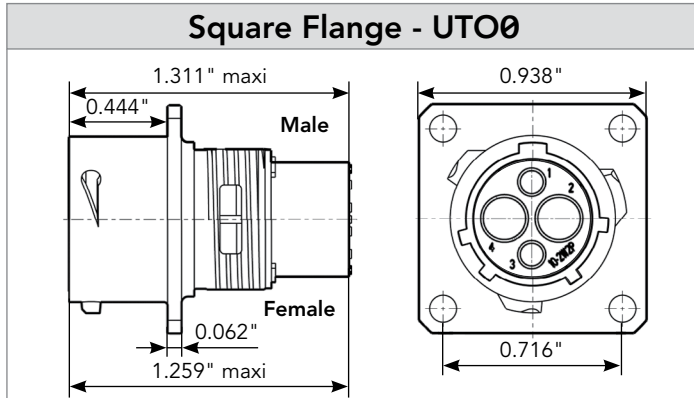
Backshells

Backshell type	Shielding	Cable range (Ø inch) min/max	Part number	
			Short version	Long version
Cable gland with strain relief nut for water protected applications (IP68 & IP69K) (Fig.1)	-	0.118"/0.236"	UT010JCS	UT010JC
Cable gland with large strain relief nut for water protected applications (IP68 & IP69K) (Fig.2)	-	0.196"/0.314"	UT010JCSL	UT010JCL
Shielded cable gland with strain relief nut for water protected applications (IP68 & IP69K) (Fig.3)	✓	0.157"/0.255"	UT0S10JCS	UT0S10JC
Shielded cable gland with large strain relief nut for water protected applications (IP68 & IP69K) (Fig.4)	✓	0.196"/0.334"	UT0S10JCSL	UT0S10JCL
Metal cable clamp with strain relief (Fig.5)	-	0.196"	UT010AC	
Metal shrink boot adaptor (Fig.6)	-	-	UT010AD	
Metal right angle cable clamp with strain relief nut (Fig.7)	-	0.157"/0.393"	UT010LPGN	
Shielded cable clamp with plastic strain relief nut (Fig.8)	✓	0.157"/0.346"	UT0S10JCPGN	
Cable clamp with plastic strain relief nut (Fig.8)	-	0.157"/0.393"	UT010JCPGN	

102W2 (Shell size 10, 2x#12 + 2x#20)

Dimensions

4



Backshells (for Mated Connector Length: See Page 153)

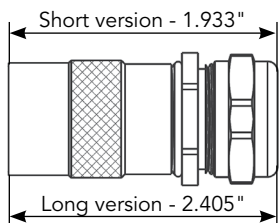


Fig. 1

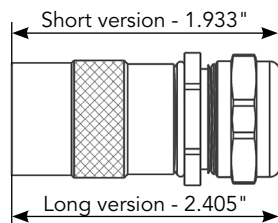


Fig. 2

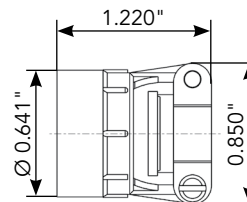


Fig. 5

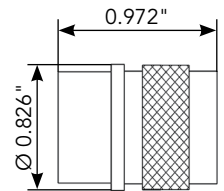


Fig. 6

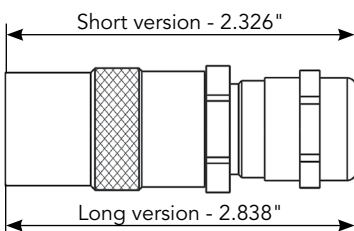


Fig. 3

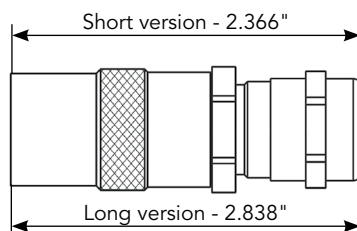


Fig. 4

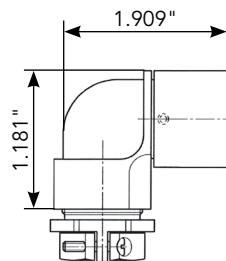


Fig. 7

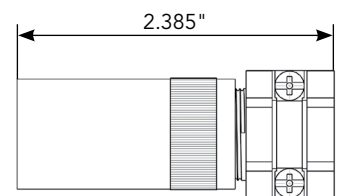


Fig. 8

Note: all dimensions are in inches

102W2 (Shell size 10, 2x#12 + 2x#20)

Accessories and Tooling

Dustcap (Receptacle)




Part number
UT010DCG*

Dustcap (Plug)



Part number
UTG610DCG*

Gasket



Part number / Neoprene
UTFD12B

Crimp Tooling #12




Part number Hand Tool
M317



Part number
Positioner + Locator Setting
VGE10077A


Extraction Tooling #12




Part number
Extraction Tool
51060210924

* For dustcap without chain, skip "G", e.g. UT010DC


Crimp Tooling #20



Part number
SHANGLES




Part number
TOOLKIT



Contacts	Contact size	Part number of head
RM/RC 24W3K ⁽¹⁾	Standard contacts #20 Ø 1mm	S20RCM*
RM/RC 20W3K ⁽¹⁾		S20RCM*
RM/RC 18W3K ⁽¹⁾		S20RCM*
SM/SC 24WL3 ⁽¹⁾⁽²⁾		S20SCM20*
SM/SC 20WL3 ⁽¹⁾⁽²⁾		S20SCM20*

(1): Example of plating, for other plating options see page 129
 (2): loose contact
 * Heads to be used with handle PN: SHANGLES



Extraction Tool #20



Part number
RX20D44

102W2 (Shell size 10, 2x#12 + 2x#20)

Contacts

4

#20	Contact type	AWG	Part number		Max wire Ø	Max insulator Ø
			Male	Female		
Crimp	Machined	26-24	RM24W3K	RC24W3K	0.031"	0.062"
		22-20	RM20W3K	RC20W3K	0.045"	0.062"
		20-18	RM18W3K	RC18W3K	0.051"	0.082"
	Stamped & Formed reeled contacts <small>See note (2) for loose piece</small>	26-24	SM24W3TK6 ⁽¹⁾⁽²⁾	SC24W3TK6 ⁽¹⁾⁽²⁾	-	0.035"-0.062"
		26-24	SM24W3S26 ⁽¹⁾⁽²⁾	SC24W3S25 ⁽¹⁾⁽²⁾	-	0.035"-0.062"
		22-20	SM20W3TK6 ⁽¹⁾⁽²⁾	SC20W3TK6 ⁽¹⁾⁽²⁾	-	0.047"-0.082"
		22-20	SM20W3S26 ⁽¹⁾⁽²⁾	SC20W3S25 ⁽¹⁾⁽²⁾	-	0.047"-0.082"
	PCB	Machined ⁽³⁾	-	RMW5016K	RCW5016K	-
#12						
Crimp	Machined	22	82911457NA	82911456A	0.034"	0.192"
		20	82911459NA	82911458A	0.044"	
		18	82911461NA	82911460A	0.055"	
		16	82911463NA	82911462A	0.067"	
		14	82911465NA	82911464A	0.087"	
		12	82911467NA	82911466A	0.111"	

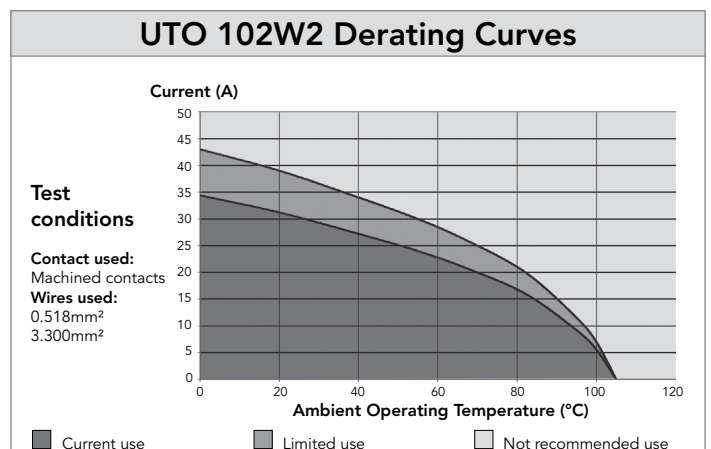
(1): Example of plating, for other plating options see page 129

(2): For loose piece contact packaging, place "L" in part number. Example: SM20WL3TK6 or SM24WL3S26

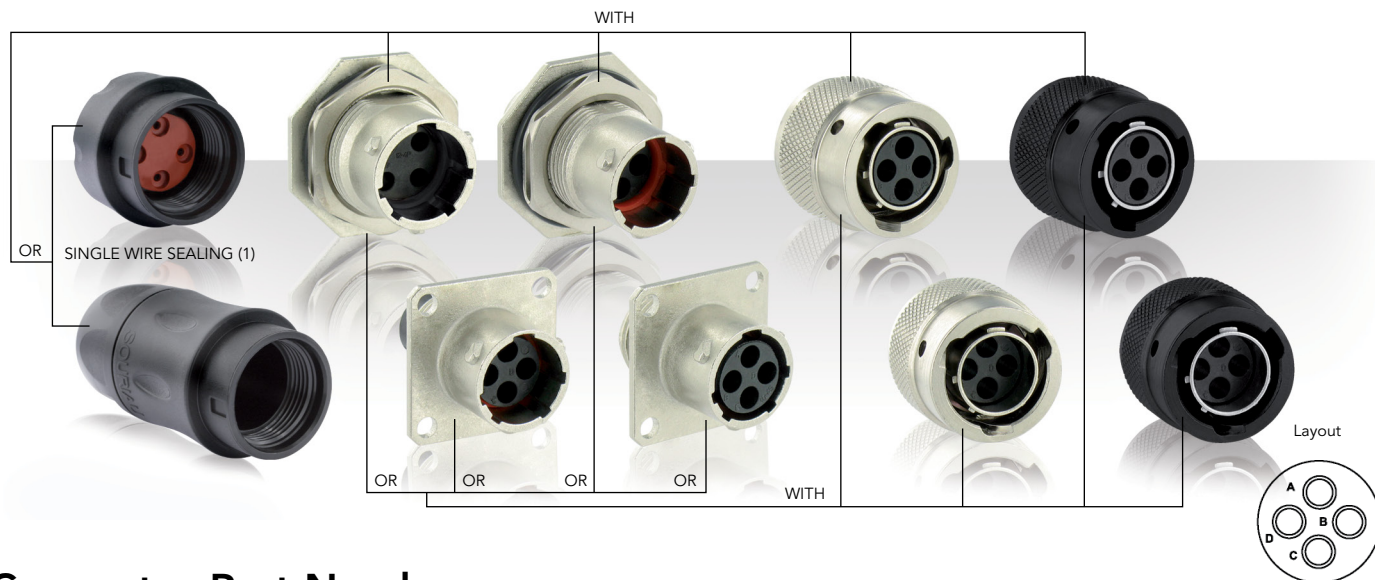
(3): For dimensions see page 132

Note: all dimensions are in inches

Electrical Characteristics
<p>UL 20A 500V UL94 V-0</p> <p>CSA 18A 500V UL94 V-0</p> <p>IEC 25A 200V 3kV 3</p>



104 (Shell size 10, 4x#16)



Connector Part Numbers

Drilling pattern see page 176

Contact type	Connector type	Sealing	Salt spray	Part number*	
				Male insert	Female insert
Contacts supplied separately see page 39	Square flange receptacle	IP67	96h	UT00104PH	UT00104SH
		IP68 & IP69K	96h	UT00104PH6	UT00104SH6
	Plug	IP67, IP68 & IP69K	48h	UT06104PH	UT06104SH⁽¹⁾
		IP67, IP68 & IP69K	96h	UT06104PH02 (Black)	UT06104SH02⁽¹⁾ (Black)
	Jam nut receptacle	IP67	48h	UT07104PH⁽¹⁾	UT07104SH
		IP68 & IP69K	48h	UT07104PH6⁽¹⁾	UT07104SH6
		IP67	96h	UT07104PH01⁽¹⁾	UT07104SH01
		IP68 & IP69K	96h	UT07104PH601⁽¹⁾	UT07104SH601

* Other discrimination keying option, see page 180

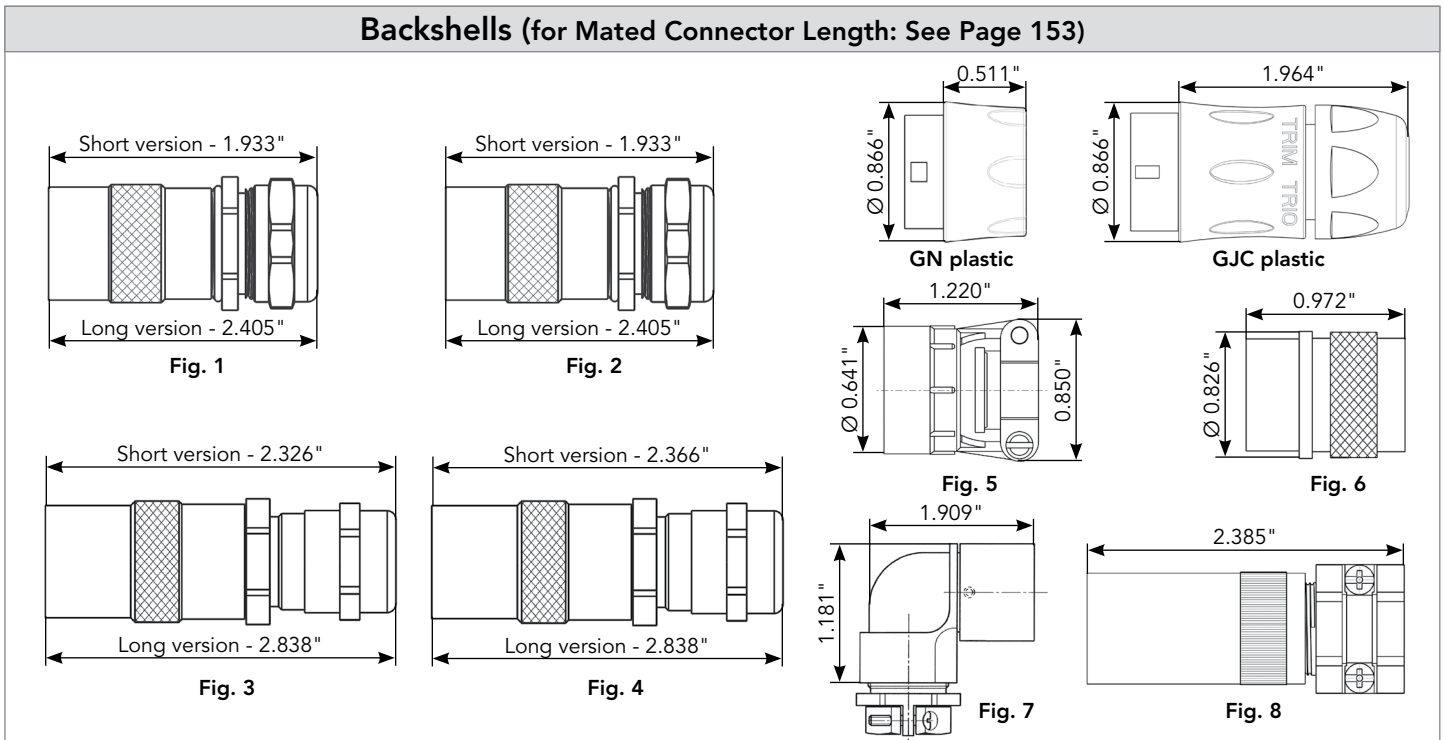
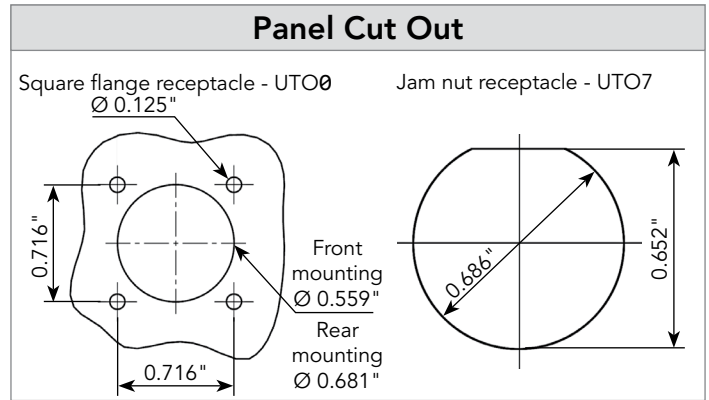
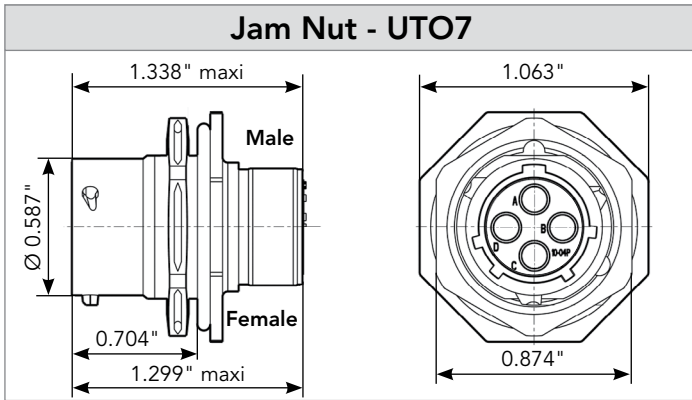
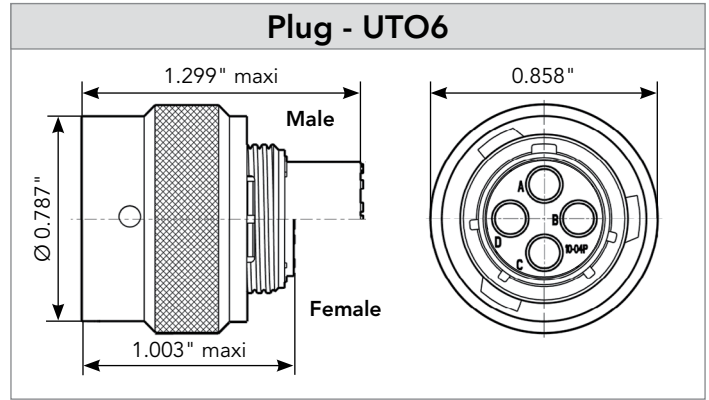
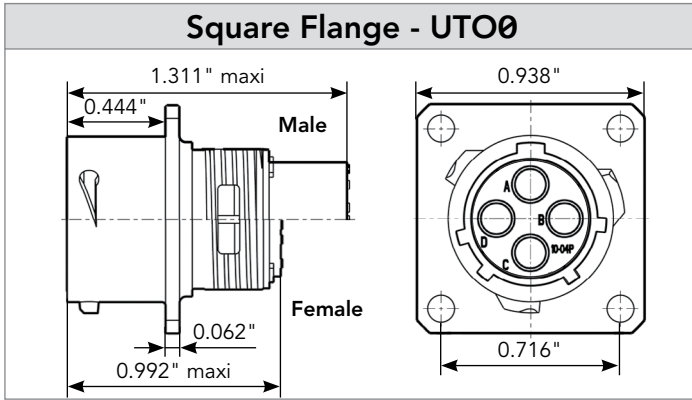
(1): For single wire sealing solution please add GN or GJC after UT06 or UT07. Eg UT07GN104PH

Backshells

Backshell type	Shielding	Cable range (Ø inch) min/max	Part number	
			Short version	Long version
Cable gland with strain relief nut for water protected applications (IP68 & IP69K) (Fig.1)	-	0.118"/0.236"	UT010JCS	UT010JC
Cable gland with large strain relief nut for water protected applications (IP68 & IP69K) (Fig.2)	-	0.196"/0.314"	UT010JCSL	UT010JCL
Shielded cable gland with strain relief nut for water protected applications (IP68 & IP69K) (Fig.3)	✓	0.157"/0.255"	UT0S10JCS	UT0S10JC
Shielded cable gland with large strain relief nut for water protected applications (IP68 & IP69K) (Fig.4)	✓	0.196"/0.334"	UT0S10JCSL	UT0S10JCL
Metal cable clamp with strain relief (Fig.5)	-	0.196"	UT010AC	
Metal shrink boot adaptor (Fig.6)	-	-	UT010AD	
Metal right angle cable clamp with strain relief nut (Fig.7)	-	0.157"/0.393"	UT010LPGN	
Shielded cable clamp with plastic strain relief nut (Fig.8)	✓	0.157"/0.346"	UT0S10JCPGN	
Cable clamp with plastic strain relief nut (Fig.8)	-	0.157"/0.393"	UT010JCPGN	

104 (Shell size 10, 4x#16)

Dimensions



Note: all dimensions are in inches

104 (Shell size 10, 4x#16)

Accessories and Tooling

Dustcap (Receptacle)



Part number
UT010DCG*

Dustcap (Plug)




Part number
UTG610DCG*

Handle (without Head)




Part number
SHANDLES

Tool Kit



Part number
TOOLKIT

Gasket



Part number / Neoprene
UTFD12B

Dummy Contact #16



Part number / Polyamide 6.6
SMSPK00


See page 180 for more information

Extraction Tool #16



Part number
RX2025GE1

Crimp Tooling (without Shandles)



Contacts	Contact size	Part number of head
RM/RC 28M1K ⁽¹⁾	Standard contacts #16 Ø 1.6mm	S16RCM20*
RM/RC 24M9K ⁽¹⁾		S16RCM20*
RM/RC 20M13K ⁽¹⁾		S16RCM20*
RM/RC 20M12K ⁽¹⁾		S16RCM20*
RM/RC 16M23K ⁽¹⁾		S16RCM16*
RM/RC 14M30K ⁽¹⁾		S16RCM14*
SM/SC 24ML1TK6 ⁽¹⁾		S16SCM20*
SM/SC 20ML1TK6 ⁽¹⁾		S16SCM20*
SM/SC 16ML1TK6 ⁽¹⁾		S16SCML1*
SM/SC 14ML1TK6 ⁽¹⁾		S16SCML1*
SM/SC 16ML11TK6 ⁽¹⁾		S16SCML11*
RMDXK10D28K		Coaxial contacts
RCDXK1D28K		
RM/RC DX60xxD28K		
RM/RC DXK10D28 + york090		
RM/RC DX60xxD28		

(1): Example of plating, for other plating options see page 129
* Heads to be used with handle PN: SHANDLES



* For dustcap without chain, skip "G", e.g. UT010DC

104 (Shell size 10, 4x#16)

Contacts

#16	Contact type	AWG	Part number		Max wire Ø	Max insulator Ø
			Male	Female		
Crimp	Machined	30-28	RM28M1K ⁽¹⁾	RC28M1K ⁽¹⁾	0.021"	0.039"
		26-24	RM24M9K ⁽¹⁾	RC24M9K ⁽¹⁾	0.031"	0.062"
		22-20	RM20M13K ⁽¹⁾	RC20M13K ⁽¹⁾	0.045"	0.070"
		22-20	RM20M12K ⁽¹⁾	RC20M12K ⁽¹⁾	0.045"	0.086"
		20-16	RM16M23K ⁽¹⁾	RC16M23K ⁽¹⁾	0.070"	0.125"
		16-14	RM14M30K ⁽¹⁾	RC14M30K ⁽¹⁾	0.090"	0.125"
	Stamped & Formed reeled contacts <small>See note (2) for loose piece</small>	26-24	SM24M1TK6 ⁽¹⁾⁽²⁾	SC24M1TK6 ⁽¹⁾⁽²⁾	-	0.035"-0.062"
		22-20	SM20M1TK6 ⁽¹⁾⁽²⁾	SC20M1TK6 ⁽¹⁾⁽²⁾	-	0.047"-0.082"
		18-16	SM16M1TK6 ⁽¹⁾⁽²⁾	SC16M1TK6 ⁽¹⁾⁽²⁾	-	0.125"
		18-16	SM16M11TK6 ⁽¹⁾⁽²⁾	SC16M11TK6 ⁽¹⁾⁽²⁾	-	0.118"
14		SM14M1TK6 ⁽¹⁾⁽²⁾	SC14M1TK6 ⁽¹⁾⁽²⁾	-	0.125"	
PCB	Machined ⁽³⁾	-	RM20M12E8K ⁽¹⁾	RC20M12E84K ⁽¹⁾	-	-
Coaxial	Cable Multipiece	see pages 131, 168 to 174	RMDXK10D28	RCDXK1D28	-	-
	Cable Monocrimp		RMDX60xxD28	RCDX60xxD28	-	-
	Twisted pair Multipiece		RMDXK10D28 + york090	RCDXK1D28 + york090	-	-
	Twisted pair Monocrimp		RMDX60xxD28	RCDX60xxD28	-	-

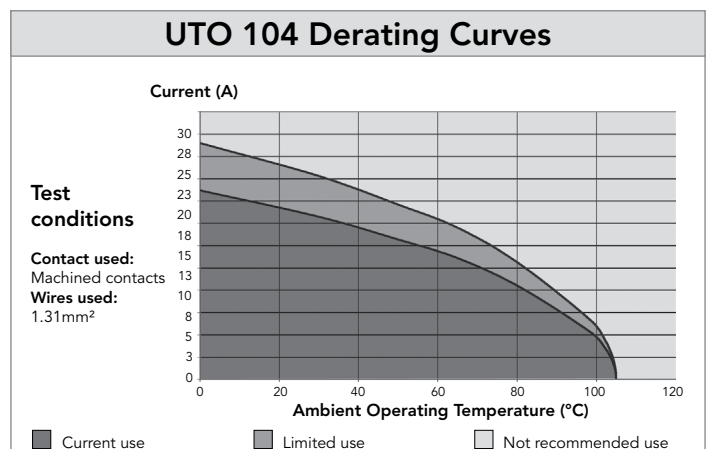
(1): Example of plating, for other plating options see page 129

(2): For loose piece contact packaging, place "L" in part number. Example: SM20ML1TK6

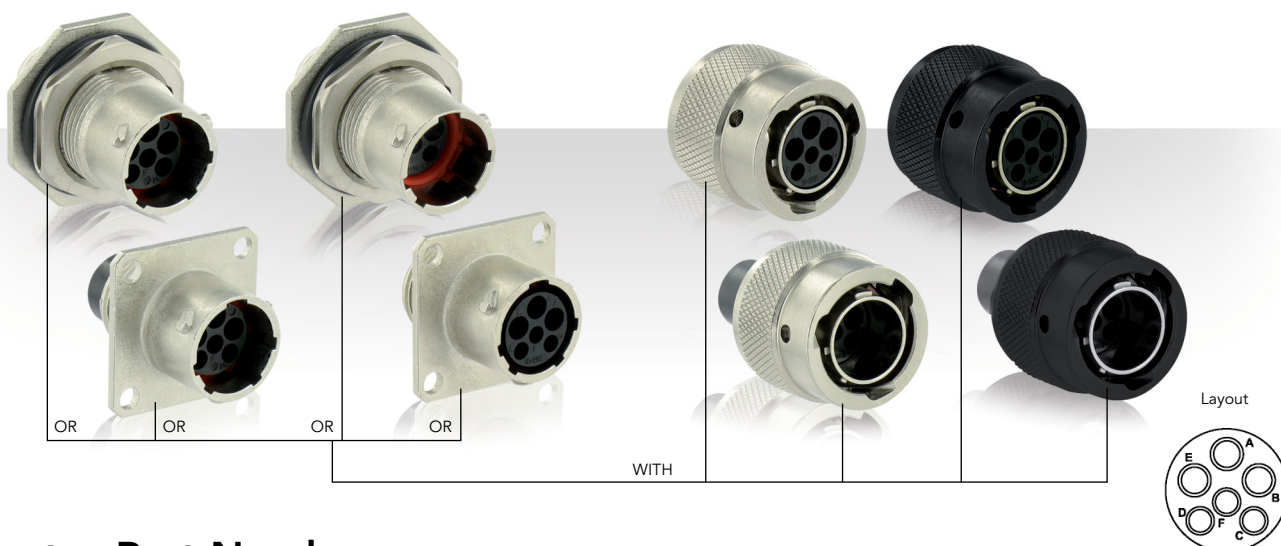
(3): For dimensions see page 132

Note: all dimensions are in inches

Electrical Characteristics
<p>UL 10A 500V UL94 V-0</p> <p>CSA 7A 500V UL94 V-0</p> <p>IEC 13A 150V 2.5kV 3</p>



103W3 (Shell size 10, 3x#16 + 3x#20)



Connector Part Numbers

Drilling pattern see page 176

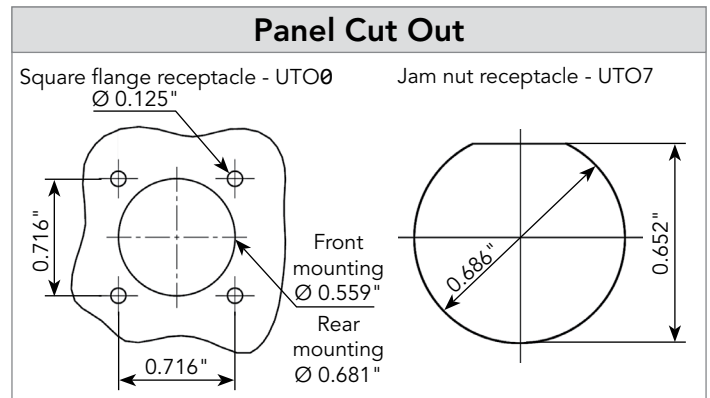
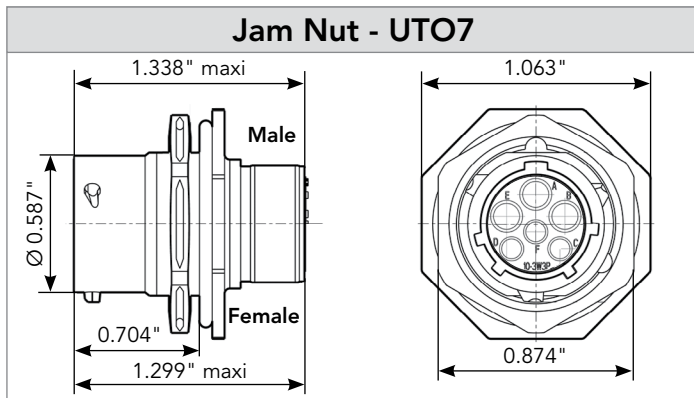
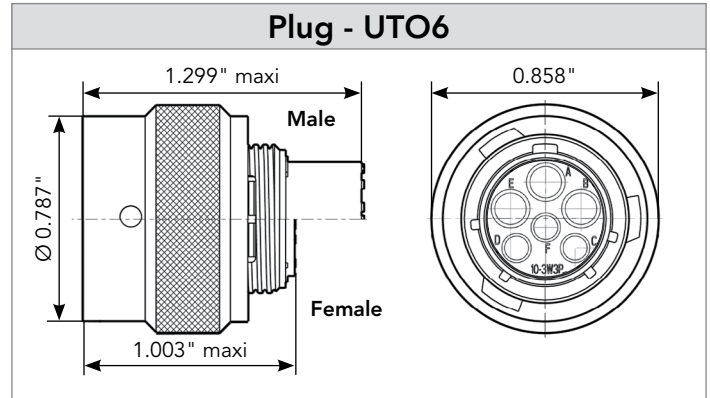
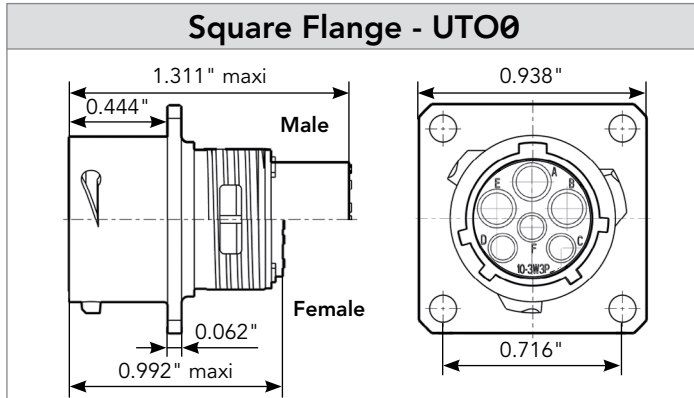
Contact type	Connector type	Sealing	Salt spray	Part number	
				Male insert	Female insert
Contacts supplied separately see page 43	Square flange receptacle	IP67	96h	UT00103W3PH	UT00103W3SH
		IP68 & IP69K	96h	UT00103W3PH6	UT00103W3SH6
	Plug	IP67, IP68 & IP69K	48h	UT06103W3PH	UT06103W3SH
		IP67, IP68 & IP69K	96h	UT06103W3PH02 (Black)	UT06103W3SH02 (Black)
	Jam nut receptacle	IP67	48h	UT07103W3PH	UT07103W3SH
		IP68 & IP69K	48h	UT07103W3PH6	UT07103W3SH6
		IP67	96h	UT07103W3PH01	UT07103W3SH01
		IP68 & IP69K	96h	UT07103W3PH601	UT07103W3SH601

Backshells

Backshell type	Shielding	Cable range (Ø inch) min/max	Part number	
			Short version	Long version
Cable gland with strain relief nut for water protected applications (IP68 & IP69K) (Fig.1)	-	0.118"/0.236"	UT010JCS	UT010JC
Cable gland with large strain relief nut for water protected applications (IP68 & IP69K) (Fig.2)	-	0.196"/0.314"	UT010JCSL	UT010JCL
Shielded cable gland with strain relief nut for water protected applications (IP68 & IP69K) (Fig.3)	✓	0.157"/0.255"	UT0S10JCS	UT0S10JC
Shielded cable gland with large strain relief nut for water protected applications (IP68 & IP69K) (Fig.4)	✓	0.196"/0.334"	UT0S10JCSL	UT0S10JCL
Metal cable clamp with strain relief (Fig.5)	-	0.196"	UT010AC	
Metal shrink boot adaptor (Fig.6)	-	-	UT010AD	
Metal right angle cable clamp with strain relief nut (Fig.7)	-	0.157"/0.393"	UT010LPGN	
Shielded cable clamp with plastic strain relief nut (Fig.8)	✓	0.157"/0.346"	UT0S10JCPGN	
Cable clamp with plastic strain relief nut (Fig.8)	-	0.157"/0.393"	UT010JCPGN	

103W3 (Shell size 10, 3x#16 + 3x#20)

Dimensions



Backshells (for Mated Connector Length: See Page 153)

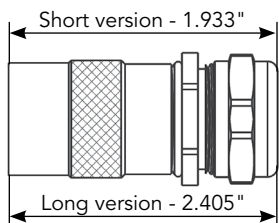


Fig. 1

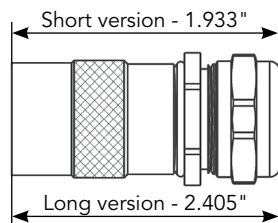


Fig. 2

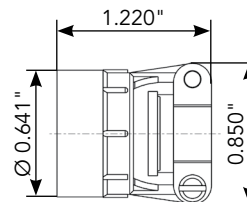


Fig. 5

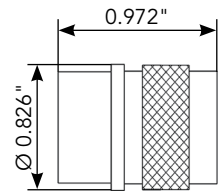


Fig. 6

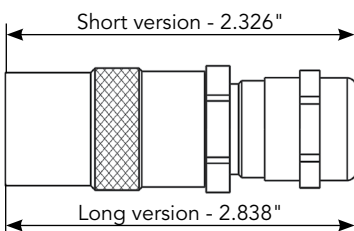


Fig. 3

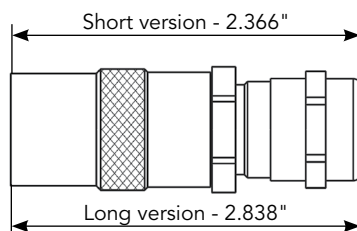


Fig. 4

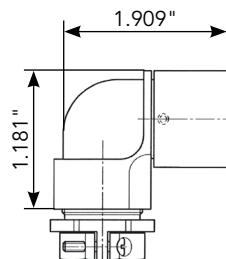


Fig. 7

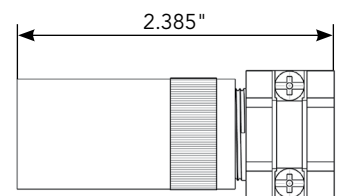


Fig. 8

Note: all dimensions are in inches

103W3 (Shell size 10, 3x#16 + 3x#20)

Accessories and Tooling

Dustcap (Receptacle)



Part number
UT010DCG*

Dustcap (Plug)




Part number
UTG610DCG*

Handle (without Head)




Part number
SHANDLES

Tool Kit



Part number
TOOLKIT

Gasket



Part number / Neoprene
UTFD12B

Dummy Contact #16



Part number / Polyamide 6.6
SMSPK00

See page 180 for more information

Extraction Tool #16



Part number
RX2025GE1

Extraction Tool #20



Part number
RX20D44

Crimp Tooling (without Shandles)

Contacts	Contact size	Part number of head
RM/RC 28M1K ⁽¹⁾	Standard contacts #16 Ø 1.6mm	S16RCM20*
RM/RC 24M9K ⁽¹⁾		S16RCM20*
RM/RC 20M13K ⁽¹⁾		S16RCM20*
RM/RC 20M12K ⁽¹⁾		S16RCM20*
RM/RC 16M23K ⁽¹⁾		S16RCM16*
RM/RC 14M30K ⁽¹⁾		S16RCM14*
SM/SC 24ML1TK6 ⁽¹⁾		S16SCM20*
SM/SC 20ML1TK6 ⁽¹⁾		S16SCM20*
SM/SC 16ML1TK6 ⁽¹⁾		S16SCML1*
SM/SC 14ML1TK6 ⁽¹⁾		S16SCML1*
SM/SC 16ML11TK6 ⁽¹⁾		S16SCML11*
RMDXK10D28K		Coaxial contacts
RCDXK1D28K		
RM/RC DX60xxD28K		
RM/RC DXK10D28 + york090		
RM/RC DX60xxD28		
RM/RC 24W3K ⁽¹⁾	Standard contacts #20 Ø 1mm	S20RCM
RM/RC 20W3K ⁽¹⁾		S20RCM
RM/RC 18W3K ⁽¹⁾		S20RCM
SM/SC 24WL3 ⁽¹⁾⁽²⁾		S20SCM20
SM/SC 20WL3 ⁽¹⁾⁽²⁾		S20SCM20

(1): Example of plating, for other plating options see page 129
 (2): loose contact
 * Heads to be used with handle PN: SHANDLES



* For dustcap without chain, skip "G", e.g. UT010DC

103W3 (Shell size 10, 3x#16 + 3x#20)

Contacts

6

#16	Contact type	AWG	Part number		Max wire Ø	Max insulator Ø
			Male	Female		
Crimp	Machined	30-28	RM28M1K ⁽¹⁾	RC28M1K ⁽¹⁾	0.021"	0.039"
		26-24	RM24M9K ⁽¹⁾	RC24M9K ⁽¹⁾	0.031"	0.062"
		22-20	RM20M13K ⁽¹⁾	RC20M13K ⁽¹⁾	0.045"	0.070"
		22-20	RM20M12K ⁽¹⁾	RC20M12K ⁽¹⁾	0.045"	0.086"
		20-16	RM16M23K ⁽¹⁾	RC16M23K ⁽¹⁾	0.070"	0.125"
	Stamped & Formed reeled contacts <small>See note (2) for loose piece</small>	16-14	RM14M30K ⁽¹⁾	RC14M30K ⁽¹⁾	0.090"	0.125"
		26-24	SM24M1TK6 ⁽¹⁾⁽²⁾	SC24M1TK6 ⁽¹⁾⁽²⁾	-	0.035"-0.050"
		22-20	SM20M1TK6 ⁽¹⁾⁽²⁾	SC20M1TK6 ⁽¹⁾⁽²⁾	-	0.046"-0.081"
		18-16	SM16M1TK6 ⁽¹⁾⁽²⁾	SC16M1TK6 ⁽¹⁾⁽²⁾	-	0.118"
		18-16	SM16M11TK6 ⁽¹⁾⁽²⁾	SC16M11TK6 ⁽¹⁾⁽²⁾	-	0.078"-0.118"
14	SM14M1TK6 ⁽¹⁾⁽²⁾	SC14M1TK6 ⁽¹⁾⁽²⁾	-	0.125"		
PCB	Machined ⁽³⁾	-	RM20M12E8K ⁽¹⁾	RC20M12E84K ⁽¹⁾	-	-
Coaxial	Cable Multipiece	see pages 131, 168 to 174	RMDXK10D28	RCDXK1D28	-	-
	Cable Monocrimp		RMDX60xxD28	RCDX60xxD28	-	-
	Twisted pair Multipiece		RMDXK10D28 + york090	RCDXK1D28 + york090	-	-
	Twisted pair Monocrimp		RMDX60xxD28	RCDX60xxD28	-	-
#20						
Crimp	Machined	26-24	RM24W3K	RC24W3K	0.031"	0.062"
		22-20	RM20W3K	RC20W3K	0.045"	0.062"
		20-18	RM18W3K	RC18W3K	0.051"	0.082"
	Stamped & Formed reeled contacts <small>See note (2) for loose piece</small>	26-24	SM24W3TK6 ⁽¹⁾⁽²⁾	SC24W3TK6 ⁽¹⁾⁽²⁾	-	0.035"-0.062"
		26-24	SM24W3S26 ⁽¹⁾⁽²⁾	SC24W3S25 ⁽¹⁾⁽²⁾	-	0.035"-0.062"
		22-20	SM20W3TK6 ⁽¹⁾⁽²⁾	SC20W3TK6 ⁽¹⁾⁽²⁾	-	0.047"-0.082"
22-20	SM20W3S26 ⁽¹⁾⁽²⁾	SC20W3S25 ⁽¹⁾⁽²⁾	-	0.047"-0.082"		
PCB	Machined ⁽³⁾	-	RMW5016K	RCW5016K	-	-

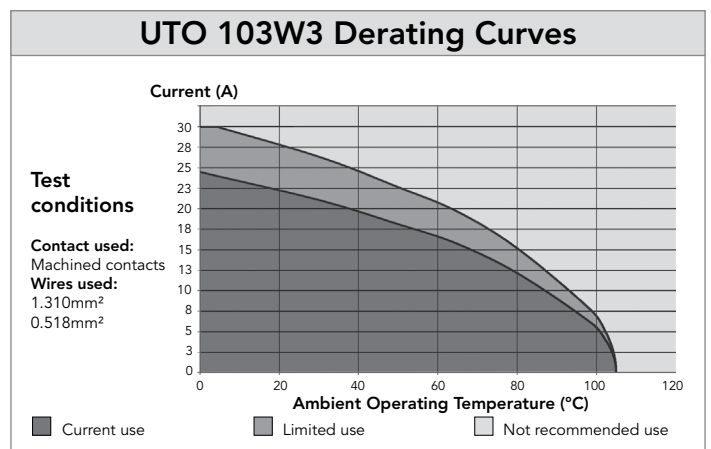
(1): Example of plating, for other plating options see page 129

Note: all dimensions are in inches

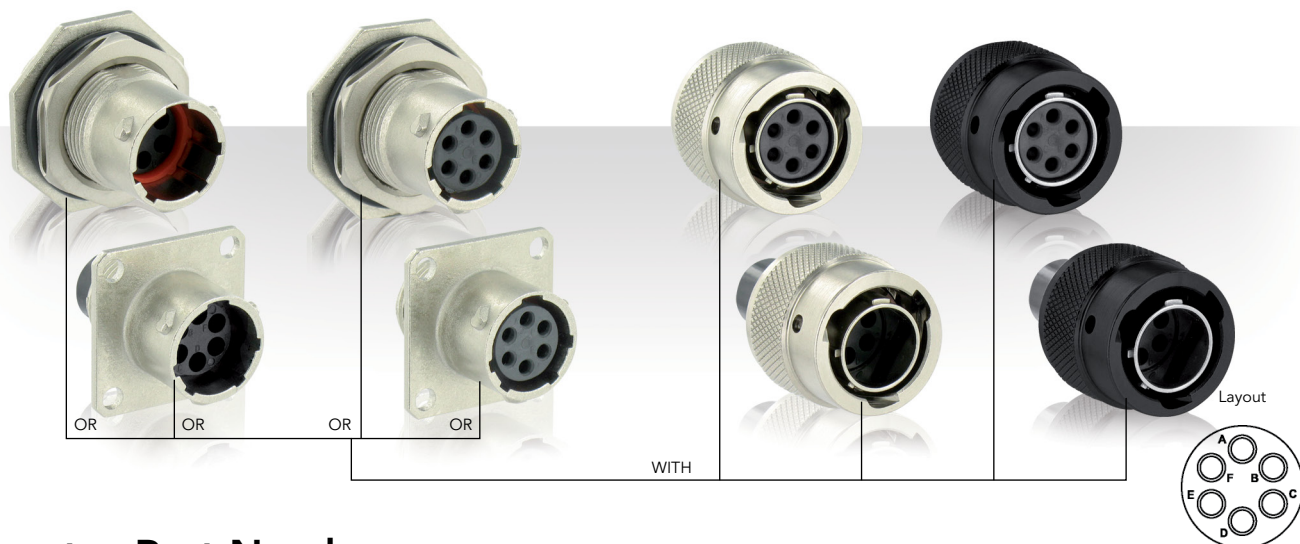
(2): For loose piece contact packaging, place "L" in part number. Example: SM20ML1TK6 or SM24WL3S26

(3): For dimensions see page 132

Electrical Characteristics
<p>UL 5A 250V UL94 V-0</p> <p>CSA 5A 200V UL94 V-0</p> <p>IEC 5A 40V 1.5kV 3</p>



106 (Shell size 10, 6x#20)



Connector Part Numbers

Drilling pattern see page 176

Contact type	Connector type	Sealing	Salt spray	Part number*	
				Male insert	Female insert
Contacts supplied separately see page 47	Square flange receptacle	IP67	96h	UT0W0106PH	UT0W0106SH
		IP68 & IP69K	96h	UT0W0106PH6	UT0W0106SH6
	Plug	IP67, IP68 & IP69K	48h	UT0W6106PH	UT0W6106SH
		IP67, IP68 & IP69K	96h	UT0W6106PH02 (Black)	UT0W6106SH02 (Black)
	Jam nut receptacle	IP67	48h	UT0W7106PH	UT0W7106SH
			48h	UT0W7106PH6	UT0W7106SH6
		IP67	96h	UT0W7106PH01	UT0W7106SH01
		IP68 & IP69K	96h	UT0W7106PH601	UT0W7106SH601

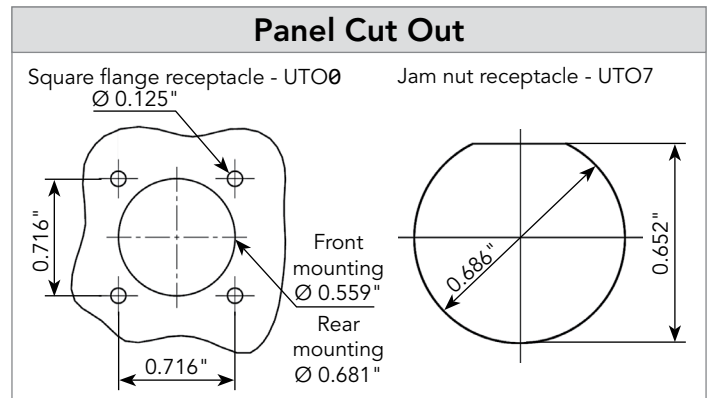
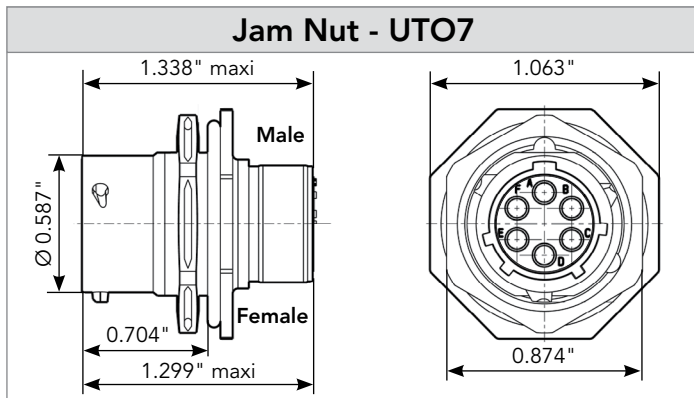
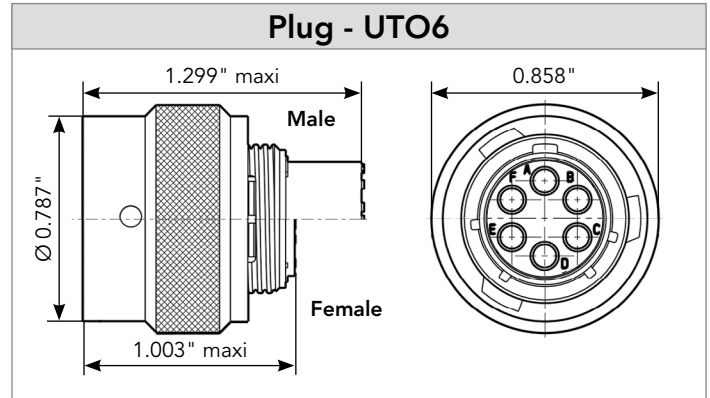
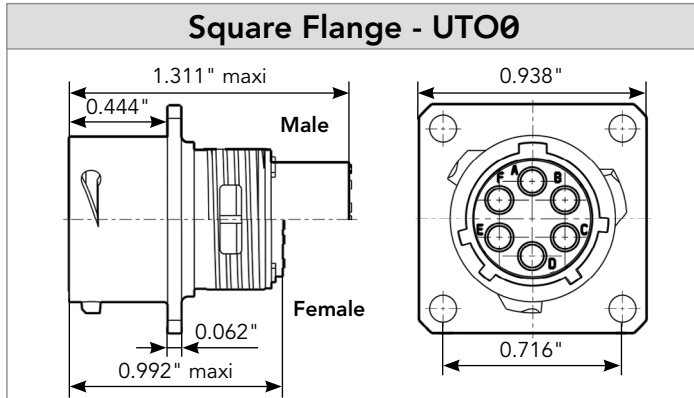
* Other discrimination keying option, see page 180

Backshells

Backshell type	Shielding	Cable range (Ø inch) min/max	Part number	
			Short version	Long version
Cable gland with strain relief nut for water protected applications (IP68 & IP69K) (Fig.1)	-	0.118"/0.236"	UT010JCS	UT010JC
Cable gland with large strain relief nut for water protected applications (IP68 & IP69K) (Fig.2)	-	0.196"/0.314"	UT010JCSL	UT010JCL
Shielded cable gland with strain relief nut for water protected applications (IP68 & IP69K) (Fig.3)	✓	0.157"/0.255"	UT0S10JCS	UT0S10JC
Shielded cable gland with large strain relief nut for water protected applications (IP68 & IP69K) (Fig.4)	✓	0.196"/0.334"	UT0S10JCSL	UT0S10JCL
Metal cable clamp with strain relief (Fig.5)	-	0.196"	UT010AC	
Metal shrink boot adaptor (Fig.6)	-	-	UT010AD	
Metal right angle cable clamp with strain relief nut (Fig.7)	-	0.157"/0.393"	UT010LPGN	
Shielded cable clamp with plastic strain relief nut (Fig.8)	✓	0.157"/0.346"	UT0S10JCPCGN	
Cable clamp with plastic strain relief nut (Fig.8)	-	0.157"/0.393"	UT010JCPCGN	

106 (Shell size 10, 6x#20)

Dimensions



Backshells (for Mated Connector Length: See Page 153)

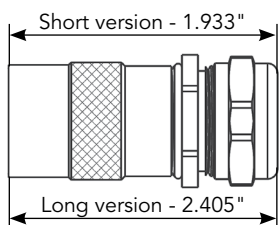


Fig. 1

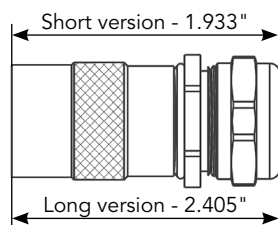


Fig. 2

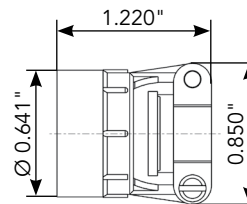


Fig. 5

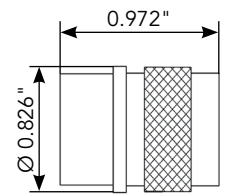


Fig. 6

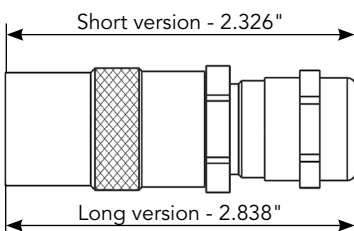


Fig. 3

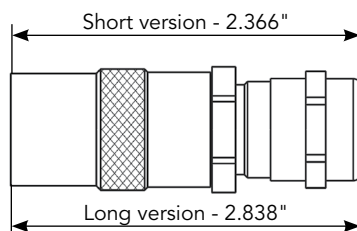


Fig. 4

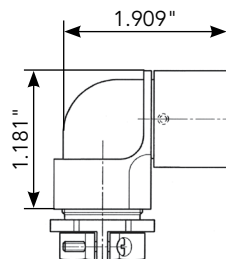


Fig. 7

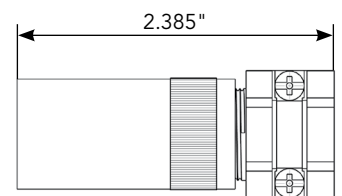


Fig. 8

Note: all dimensions are in inches

106 (Shell size 10, 6x#20)

Accessories and Tooling

Dustcap (Receptacle)



Part number
UT010DCG*

Dustcap (Plug)




Part number
UTG610DCG*

Handle (without Head)




Part number
SHANDLES

Tool Kit



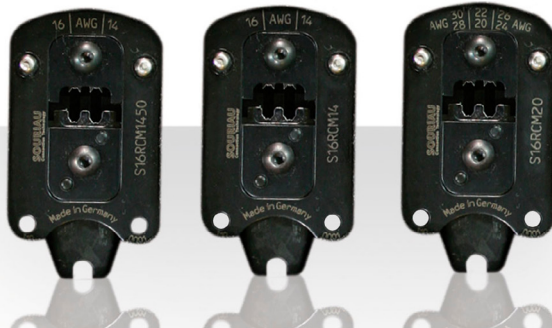
Part number
TOOLKIT

Gasket



Part number / Neoprene
UTFD12B

Crimp Tooling (without Shandles)



Contacts	Contact size	Part number of head
RM/RC 24W3K ⁽¹⁾	Standard contacts #20 Ø 1mm	S20RCM*
RM/RC 20W3K ⁽¹⁾		S20RCM*
RM/RC 18W3K ⁽¹⁾		S20RCM*
SM/SC 24WL3 ⁽¹⁾⁽²⁾		S20SCM20*
SM/SC 20WL3 ⁽¹⁾⁽²⁾		S20SCM20*

(1): Example of plating, for other plating options see page 129
 (2): loose contact
 * Heads to be used with handle PN: SHANDLES



Extraction Tool #20



Part number
RX20D44

* For dustcap without chain, skip "G", e.g. UT024DC

106 (Shell size 10, 6x#20)

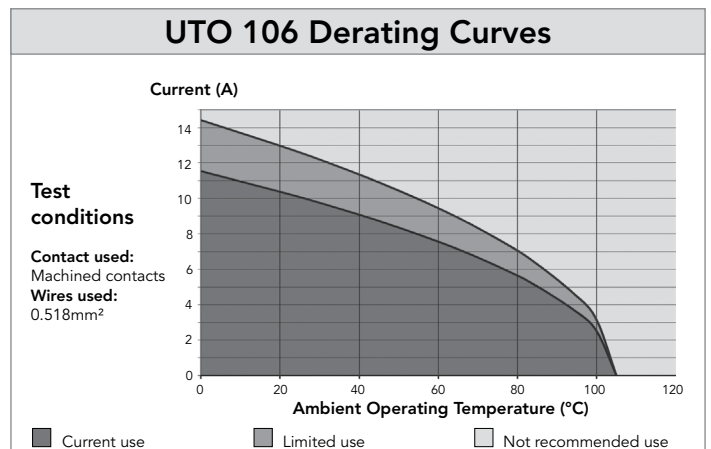
Contacts

#20	Contact type	AWG	Part number		Max wire Ø	Max insulator Ø
			Male	Female		
Crimp	Machined	26-24	RM24W3K	RC24W3K	0.031"	0.062"
		22-20	RM20W3K	RC20W3K	0.045"	0.062"
		20-18	RM18W3K	RC18W3K	0.051"	0.082"
	Stamped & Formed reeled contacts <small>See note (2) for loose piece</small>	26-24	SM24W3TK6 ⁽¹⁾⁽²⁾	SC24W3TK6 ⁽¹⁾⁽²⁾	-	0.035"-0.062"
		26-24	SM24W3S26 ⁽¹⁾⁽²⁾	SC24W3S25 ⁽¹⁾⁽²⁾	-	0.035"-0.062"
		22-20	SM20W3TK6 ⁽¹⁾⁽²⁾	SC20W3TK6 ⁽¹⁾⁽²⁾	-	0.047"-0.082"
		22-20	SM20W3S26 ⁽¹⁾⁽²⁾	SC20W3S25 ⁽¹⁾⁽²⁾	-	0.047"-0.082"
PCB	Machined ⁽³⁾	-	RMW5016K	RCW5016K	-	-

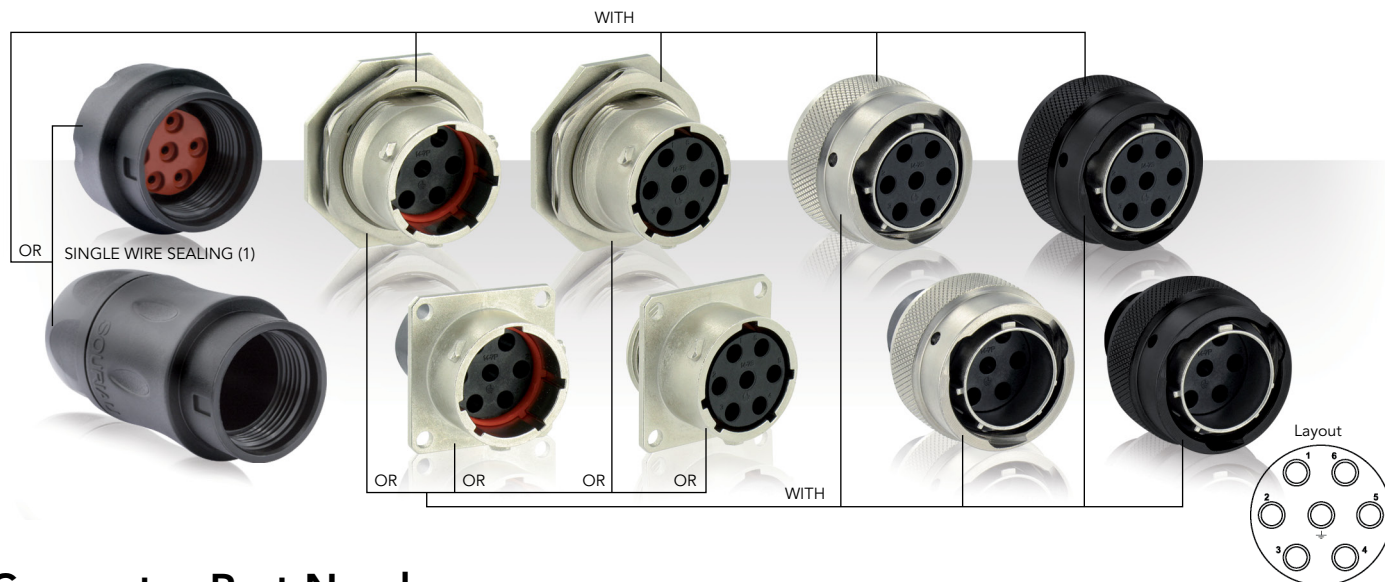
(1): Example of plating, for other plating options see page 129
 (2): For loose piece contact packaging, place "L" in part number. Example: SM20WL3TK6
 (3): For dimensions see page 132

Note: all dimensions are in inches

Electrical Characteristics
<p>UL 5A 250V UL94 V-0</p> <p>CSA 4A 250V UL94 V-0</p> <p>IEC 7A 80V 1.5kV 3</p>



147 (Shell size 14, 6 + ground, 7x#16)



Connector Part Numbers

Drilling pattern see page 176

Contact type	Connector type	Sealing	Salt spray	Part number	
				Male insert	Female insert
Contacts supplied separately see page 51	Square flange receptacle	IP67	96h	UT00147PH	UT00147SH
		IP68 & IP69K	96h	UT00147PH6	UT00147SH6
	Plug	IP67, IP68 & IP69K	48h	UT06147PH	UT06147SH⁽¹⁾
		IP67, IP68 & IP69K	96h	UT06147PH02 (Black)	UT06147SH02⁽¹⁾ (Black)
	Jam nut receptacle	IP67	48h	UT07147PH⁽¹⁾	UT07147SH
			48h	UT07147PH6⁽¹⁾	UT07147SH6
		IP67	96h	UT07147PH01⁽¹⁾	UT07147SH01
		IP68 & IP69K	96h	UT07147PH601⁽¹⁾	UT07147SH601

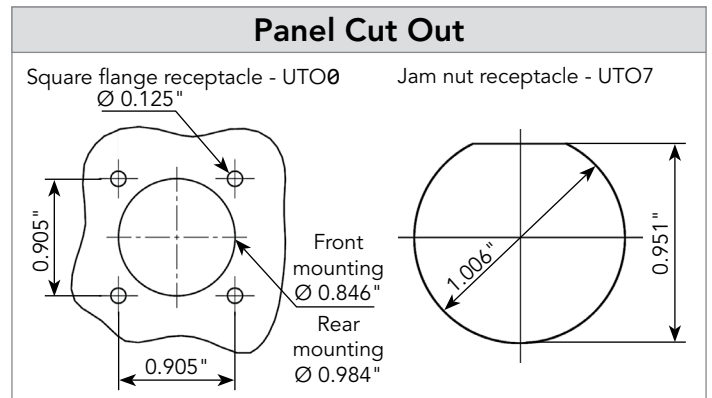
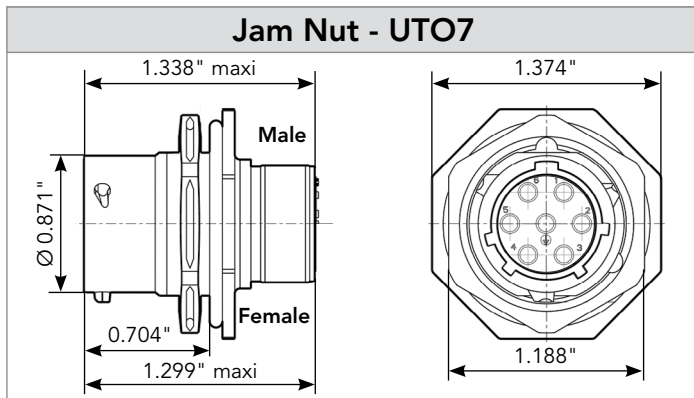
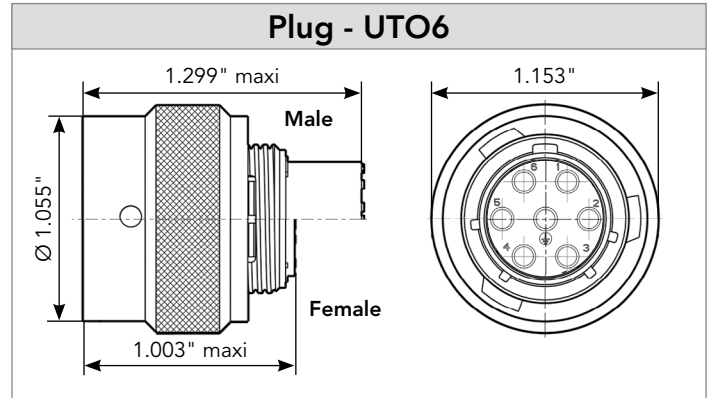
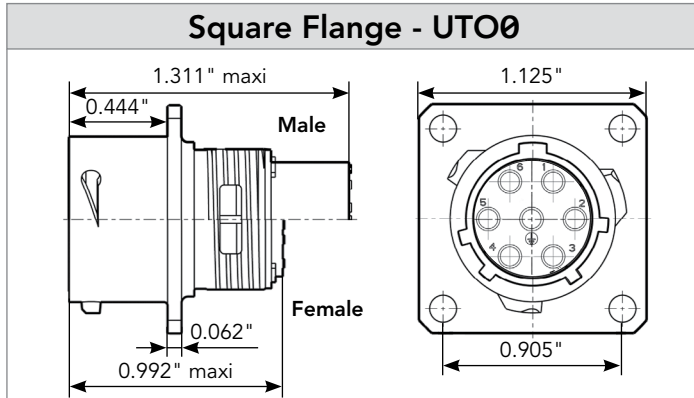
(1): For single wire sealing solution please add GN or GJC after UT06 or UT07. Eg UT07GN147PH

Backshells

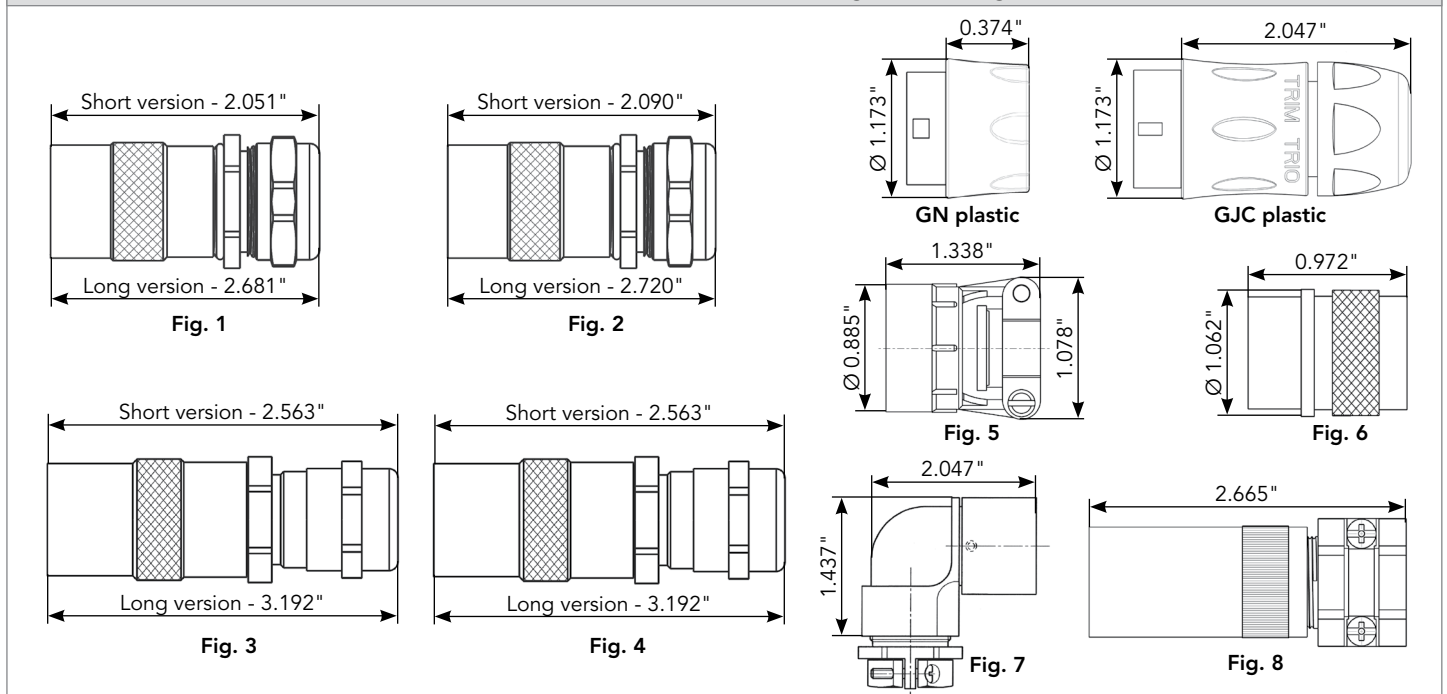
Backshell type	Shielding	Cable range (Ø inch) min/max	Part number	
			Short version	Long version
Cable gland with strain relief nut for water protected applications (IP68 & IP69K) (Fig.1)	-	0.236"/0.393"	UT014JCS	UT014JC
Cable gland with large strain relief nut for water protected applications (IP68 & IP69K) (Fig.2)	-	0.314"/0.472"	UT014JCSL	UT014JCL
Shielded cable gland with strain relief nut for water protected applications (IP68 & IP69K) (Fig.3)	✓	0.275"/0.413"	UT0S14JCS	UT0S14JC
Shielded cable gland with large strain relief nut for water protected applications (IP68 & IP69K) (Fig.4)	✓	0.314"/0.492"	UT0S14JCSL	UT0S14JCL
Metal cable clamp with strain relief (Fig.5)	-	0.393"	UT014AC	
Metal shrink boot adaptor (Fig.6)	-	-	UT014AD	
Metal right angle cable clamp with strain relief nut (Fig.7)	-	0.255"/0.551"	UT014LPGN	
Shielded cable clamp with plastic strain relief nut (Fig.8)	✓	0.255"/0.531"	UT0S14JCPGN	
Cable clamp with plastic strain relief nut (Fig.8)	-	0.255"/0.531"	UT014JCPGN	

147 (Shell size 14, 6 + ground, 7x#16)

Dimensions



Backshells (for Mated Connector Length: See Page 153)



Note: all dimensions are in inches

147 (Shell size 14, 6 + ground, 7x#16)

Accessories and Tooling

Dustcap (Receptacle)



Part number
UT014DCG*

Dustcap (Plug)




Part number
UTG614DCG*

Handle (without Head)




Part number
SHANDLES

Tool Kit



Part number
TOOLKIT

Gasket



Part number / Neoprene
UTFD14B

Dummy Contact #16



Part number / Polyamide 6.6
SMSPE0


See page 180 for more information

Extraction Tool #16



Part number
RX2025GE1

Crimp Tooling (without Shandles)



Contacts	Contact size	Part number of head	
RM/RC 28M1K ⁽¹⁾	Standard contacts #16 Ø 1.6mm	S16RCM20*	
RM/RC 24M9K ⁽¹⁾		S16RCM20*	
RM/RC 20M13K ⁽¹⁾		S16RCM20*	
RM/RC 20M12K ⁽¹⁾		S16RCM20*	
RM/RC 16M23K ⁽¹⁾		S16RCM16*	
RM/RC 14M30K ⁽¹⁾		S16RCM14*	
SM/SC 24ML1TK6 ⁽¹⁾		S16SCM20*	
SM/SC 20ML1TK6 ⁽¹⁾		S16SCM20*	
SM/SC 16ML1TK6 ⁽¹⁾		S16SCML1*	
SM/SC 14ML1TK6 ⁽¹⁾		S16SCML1*	
SM/SC 16ML11TK6 ⁽¹⁾		S16SCML11*	
RMDXK10D28K		Coaxial contacts	M10S1J with die set & stop bushing see page 172 to 174
RCDXK1D28K			
RM/RC DX60xxD28K			
RM/RC DXK10D28 + york090			
RM/RC DX60xxD28			

(1): Example of plating, for other plating options see page 129
* Heads to be used with handle PN: SHANDLES



* For dustcap without chain, skip "G", e.g. UT014DC

147 (Shell size 14, 6 + ground, 7x#16)

Contacts

#16	Contact type	AWG	Part number		Max wire Ø	Max insulator Ø
			Male	Female		
Crimp	Machined	30-28	RM28M1K ⁽¹⁾	RC28M1K ⁽¹⁾	0.021"	0.039"
		26-24	RM24M9K ⁽¹⁾	RC24M9K ⁽¹⁾	0.031"	0.062"
		22-20	RM20M13K ⁽¹⁾	RC20M13K ⁽¹⁾	0.045"	0.070"
		22-20	RM20M12K ⁽¹⁾	RC20M12K ⁽¹⁾	0.045"	0.086"
		20-16	RM16M23K ⁽¹⁾	RC16M23K ⁽¹⁾	0.070"	0.125"
		16-14	RM14M30K ⁽¹⁾	RC14M30K ⁽¹⁾	0.090"	0.125"
	Stamped & Formed reeled contacts See note (2) for loose piece	26-24	SM24M1TK6 ⁽¹⁾⁽²⁾	SC24M1TK6 ⁽¹⁾⁽²⁾	-	0.035"-0.062"
		22-20	SM20M1TK6 ⁽¹⁾⁽²⁾	SC20M1TK6 ⁽¹⁾⁽²⁾	-	0.047"-0.082"
		18-16	SM16M1TK6 ⁽¹⁾⁽²⁾	SC16M1TK6 ⁽¹⁾⁽²⁾	-	0.125"
		18-16	SM16M11TK6 ⁽¹⁾⁽²⁾	SC16M11TK6 ⁽¹⁾⁽²⁾	-	0.118"
14		SM14M1TK6 ⁽¹⁾⁽²⁾	SC14M1TK6 ⁽¹⁾⁽²⁾	-	0.125"	
PCB	Machined ⁽³⁾	-	RM20M12E8K ⁽¹⁾	RC20M12E84K ⁽¹⁾	-	-
Coaxial	Cable Multipiece	see pages 131, 168 to 174	RMDXK10D28	RCDXK1D28	-	-
	Cable Monocrimp		RMDX60xxD28	RCDX60xxD28	-	-
	Twisted pair Multipiece		RMDXK10D28 + york090	RCDXK1D28 + york090	-	-
	Twisted pair Monocrimp		RMDX60xxD28	RCDX60xxD28	-	-

(1): Example of plating, for other plating options see page 129

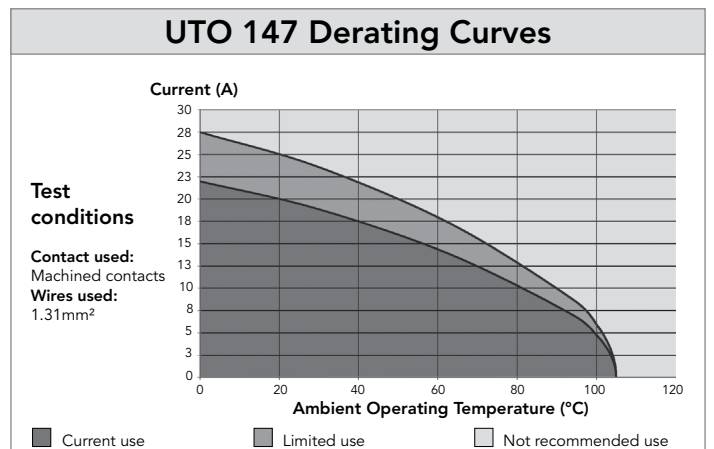
(2): For loose piece contact packaging, place "L" in part number. Example: SM20ML1TK6

(3): For dimensions see page 132

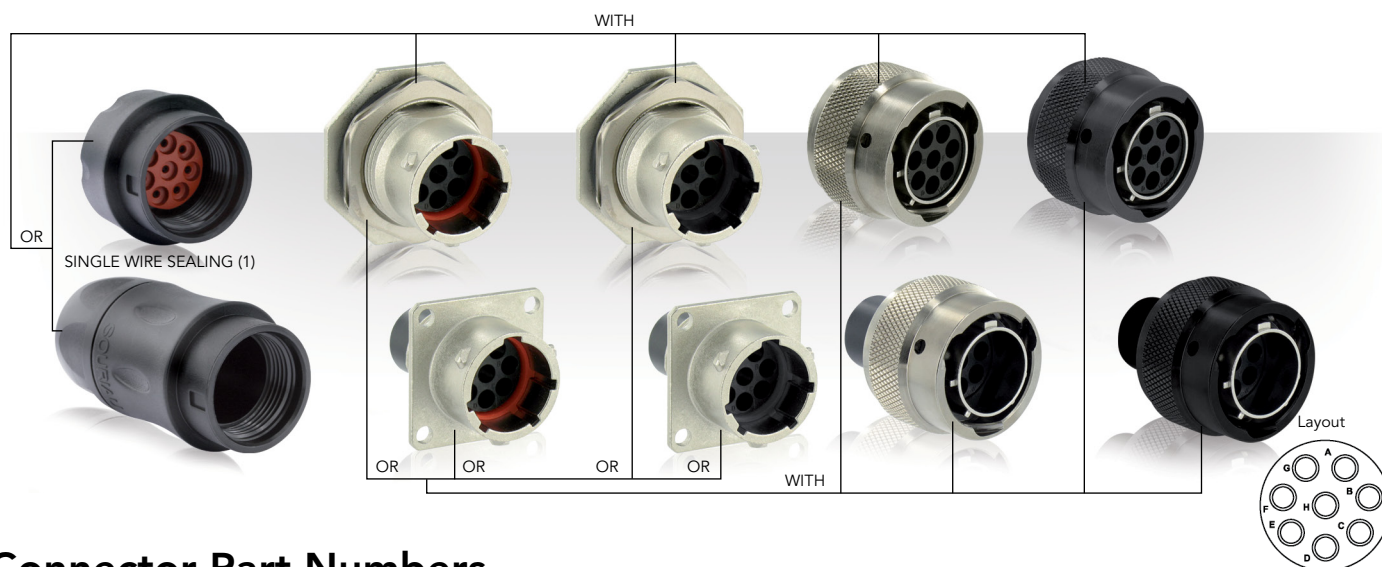
Note: all dimensions are in inches



Electrical Characteristics
<p>UL 10A 500V UL94 V-0</p> <p>CSA 7A 500V UL94 V-0</p> <p>IEC 16A 150V 2.5kV 3</p>



128 (Shell size 12, 8x#16)



Connector Part Numbers

Drilling pattern see page 176

Contact type	Connector type	Sealing	Salt spray	Part number*	
				Male insert	Female insert
Contacts supplied separately see page 55	Square flange receptacle	IP67	96h	UT00128PH	UT00128SH
		IP68 & IP69K	96h	UT00128PH6	UT00128SH6
	Plug	IP67, IP68 & IP69K	48h	UT06128PH	UT06128SH⁽¹⁾
		IP67, IP68 & IP69K	96h	UT06128PH02 (Black)	UT06128SH02⁽¹⁾ (Black)
	Jam nut receptacle	IP67	48h	UT07128PH⁽¹⁾	UT07128SH
			48h	UT07128PH6⁽¹⁾	UT07128SH6
		IP67	96h	UT07128PH01⁽¹⁾	UT07128SH01
		IP68 & IP69K	96h	UT07128PH601⁽¹⁾	UT07128SH601

* Other discrimination keying option, see page 180

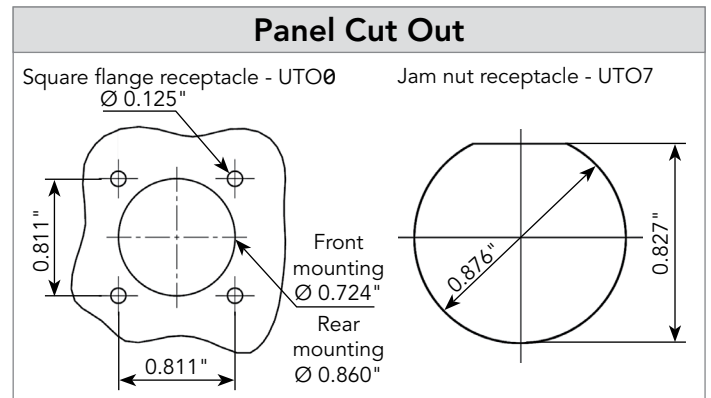
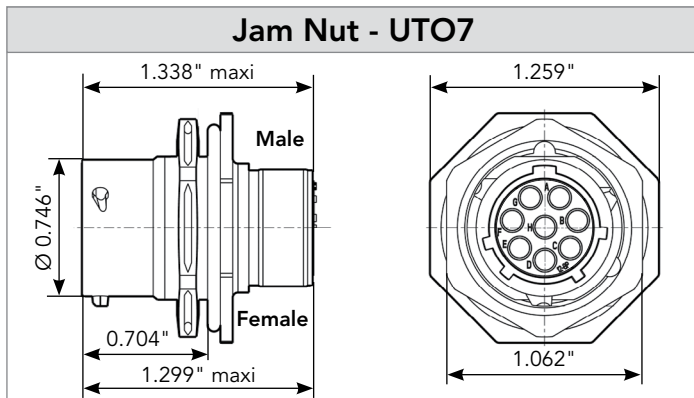
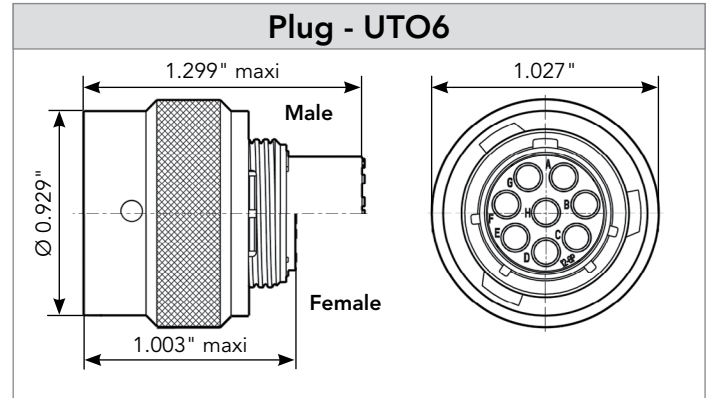
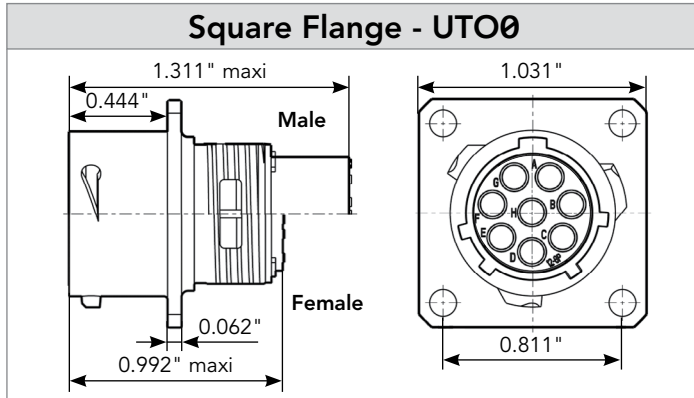
(1): For single wire sealing solution please add GN or GJC after UT06 or UT07. Eg UT07GN128PH

Backshells

Backshell type	Shielding	Cable range (Ø inch) min/max	Part number	
			Short version	Long version
Cable gland with strain relief nut for water protected applications (IP68 & IP69K) (Fig.1)	-	0.236"/0.393"	UT012JCS	UT012JC
Cable gland with large strain relief nut for water protected applications (IP68 & IP69K) (Fig.2)	-	0.314"/0.472"	UT012JCSL	UT012JCL
Shielded cable gland with strain relief nut for water protected applications (IP68 & IP69K) (Fig.3)	✓	0.275"/0.413"	UT0S12JCS	UT0S12JC
Shielded cable gland with large strain relief nut for water protected applications (IP68 & IP69K) (Fig.4)	✓	0.314"/0.492"	UT0S12JCSL	UT0S12JCL
Metal cable clamp with strain relief (Fig.5)	-	0.322"	UT012AC	
Metal shrink boot adaptor (Fig.6)	-	-	UT012AD	
Metal right angle cable clamp with strain relief nut (Fig.7)	-	0.255"/0.472"	UT012LPGN	
Shielded cable clamp with plastic strain relief nut (Fig.8)	✓	0.255"/0.468"	UT0S12JCPGN	
Cable clamp with plastic strain relief nut (Fig.8)	-	0.255"/0.468"	UT012JCPGN	

128 (Shell size 12, 8x#16)

Dimensions



Backshells (for Mated Connector Length: See Page 153)

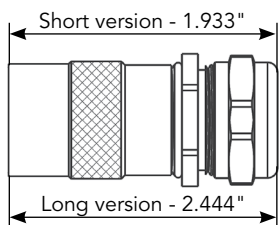


Fig. 1

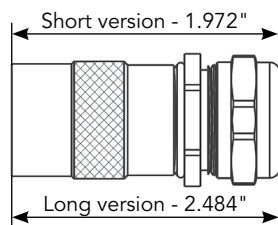
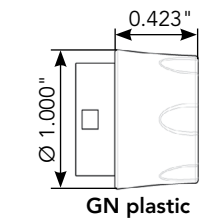
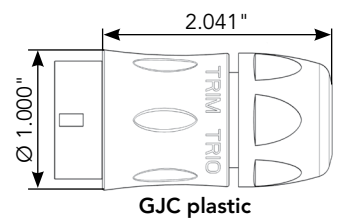


Fig. 2



GN plastic



GJC plastic

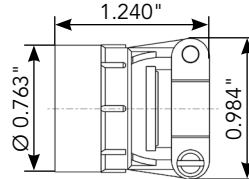


Fig. 5

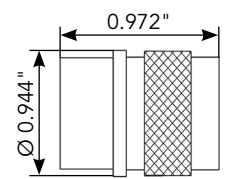


Fig. 6

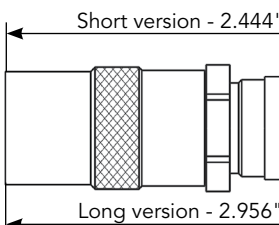


Fig. 3

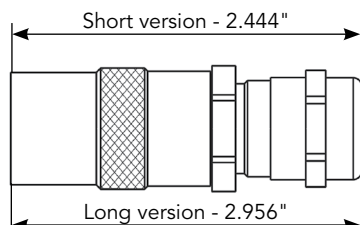


Fig. 4

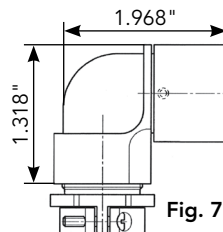


Fig. 7

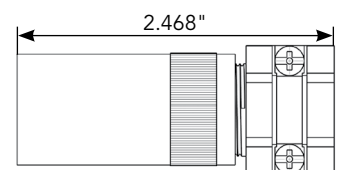


Fig. 8

Note: all dimensions are in inches

128 (Shell size 12, 8x#16)

Accessories and Tooling

Dustcap (Receptacle)



Part number
UT012DCG*

Dustcap (Plug)




Part number
UTG612DCG*

Handle (without Head)




Part number
SHANDLES

Tool Kit



Part number
TOOLKIT

Gasket



Part number / Neoprene
UTFD13B

Dummy Contact #16



Part number / Polyamide 6.6
SMSPK00


See page 180 for more information

Extraction Tool #16



Part number
RX2025GE1

Crimp Tooling (without Shandles)



Contacts	Contact size	Part number of head	
RM/RC 28M1K ⁽¹⁾	Standard contacts #16 Ø 1.6mm	S16RCM20*	
RM/RC 24M9K ⁽¹⁾		S16RCM20*	
RM/RC 20M13K ⁽¹⁾		S16RCM20*	
RM/RC 20M12K ⁽¹⁾		S16RCM20*	
RM/RC 16M23K ⁽¹⁾		S16RCM16*	
RM/RC 14M30K ⁽¹⁾		S16RCM14*	
SM/SC 24ML1TK6 ⁽¹⁾		S16SCM20*	
SM/SC 20ML1TK6 ⁽¹⁾		S16SCM20*	
SM/SC 16ML1TK6 ⁽¹⁾		S16SCML1*	
SM/SC 14ML1TK6 ⁽¹⁾		S16SCML1*	
SM/SC 16ML11TK6 ⁽¹⁾		S16SCML11*	
RMDXK10D28K		Coaxial contacts	M10S1J with die set & stop bushing see page 172 to 174
RCDXK1D28K			
RM/RC DX60xxD28K			
RM/RC DXK10D28 + york090			
RM/RC DX60xxD28			

(1): Example of plating, for other plating options see page 129
* Heads to be used with handle PN: SHANDLES



* For dustcap without chain, skip "G", e.g. UT012DC

128 (Shell size 12, 8x#16)

Contacts

#16	Contact type	AWG	Part number		Max wire Ø	Max insulator Ø
			Male	Female		
Crimp	Machined	30-28	RM28M1K ⁽¹⁾	RC28M1K ⁽¹⁾	0.021"	0.039"
		26-24	RM24M9K ⁽¹⁾	RC24M9K ⁽¹⁾	0.031"	0.062"
		22-20	RM20M13K ⁽¹⁾	RC20M13K ⁽¹⁾	0.045"	0.070"
		22-20	RM20M12K ⁽¹⁾	RC20M12K ⁽¹⁾	0.045"	0.086"
		20-16	RM16M23K ⁽¹⁾	RC16M23K ⁽¹⁾	0.070"	0.125"
		16-14	RM14M30K ⁽¹⁾	RC14M30K ⁽¹⁾	0.090"	0.125"
	Stamped & Formed reeled contacts See note (2) for loose piece	26-24	SM24M1TK6 ⁽¹⁾⁽²⁾	SC24M1TK6 ⁽¹⁾⁽²⁾	-	0.035"-0.062"
		22-20	SM20M1TK6 ⁽¹⁾⁽²⁾	SC20M1TK6 ⁽¹⁾⁽²⁾	-	0.047"-0.082"
		18-16	SM16M1TK6 ⁽¹⁾⁽²⁾	SC16M1TK6 ⁽¹⁾⁽²⁾	-	0.125"
		18-16	SM16M11TK6 ⁽¹⁾⁽²⁾	SC16M11TK6 ⁽¹⁾⁽²⁾	-	0.118"
14		SM14M1TK6 ⁽¹⁾⁽²⁾	SC14M1TK6 ⁽¹⁾⁽²⁾	-	0.125"	
PCB	Machined ⁽³⁾	-	RM20M12E8K ⁽¹⁾	RC20M12E84K ⁽¹⁾	-	-
Coaxial	Cable Multipiece	see pages 131, 168 to 174	RMDXK10D28	RCDXK1D28	-	-
	Cable Monocrimp		RMDX60xxD28	RCDX60xxD28	-	-
	Twisted pair Multipiece		RMDXK10D28 + york090	RCDXK1D28 + york090	-	-
	Twisted pair Monocrimp		RMDX60xxD28	RCDX60xxD28	-	-

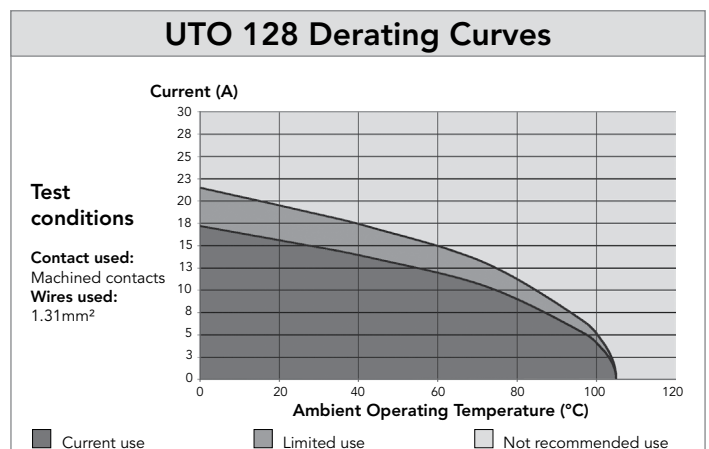
(1): Example of plating, for other plating options see page 129

(2): For loose piece contact packaging, place "L" in part number. Example: SM20ML1TK6

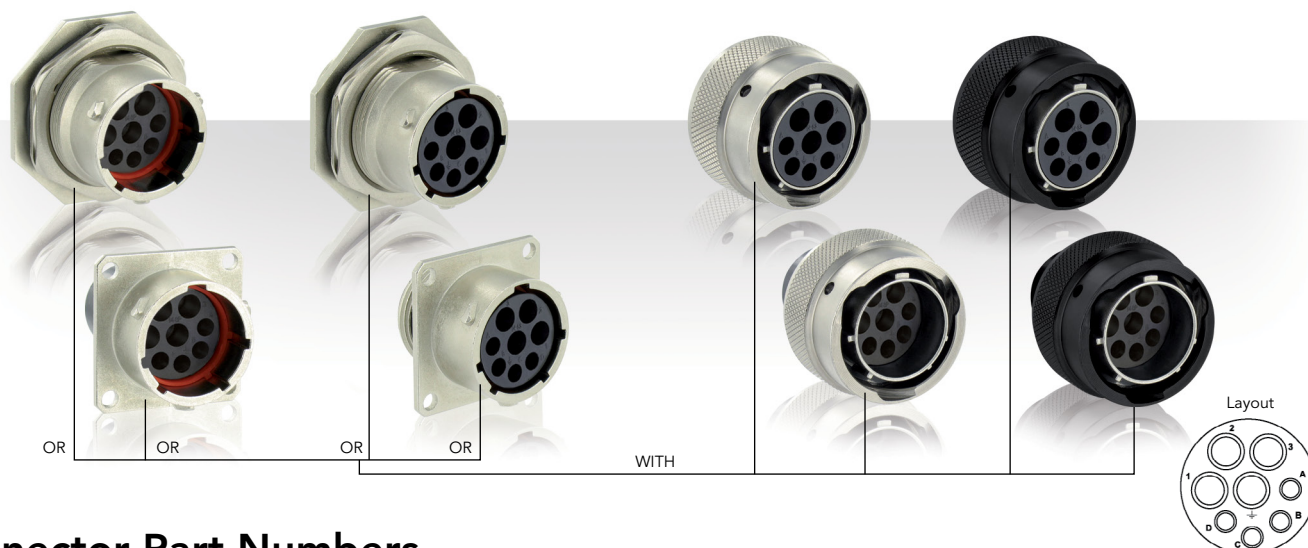
(3): For dimensions see page 132

Note: all dimensions are in inches

Electrical Characteristics
<p>UL 10A 500V UL94 V-0</p> <p>CSA 7A 500V UL94 V-0</p> <p>IEC 10A 125V 2.5kV 3</p>



148 (Shell size 14, 4x#12 + 4x#16)



Connector Part Numbers

Drilling pattern see page 176

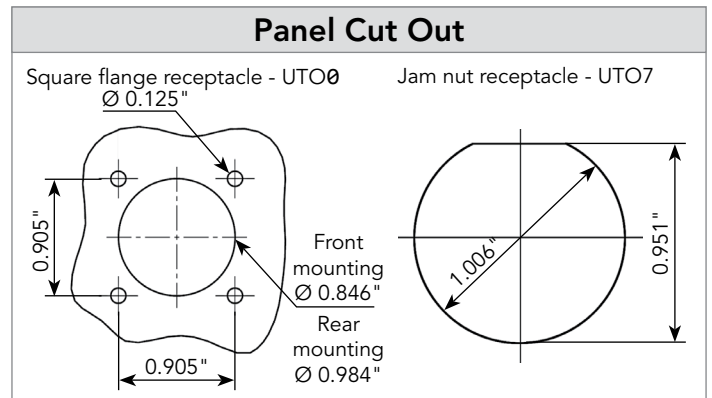
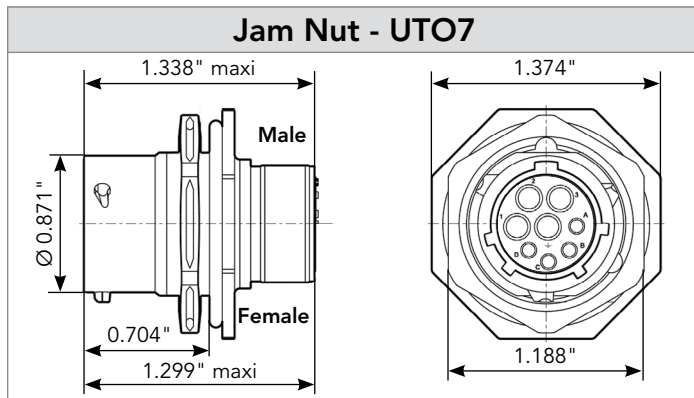
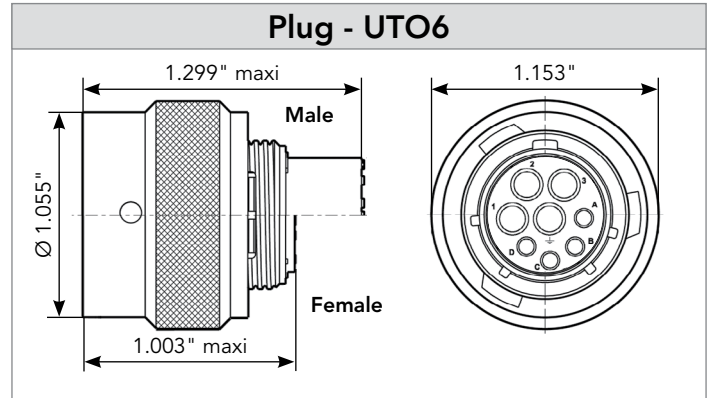
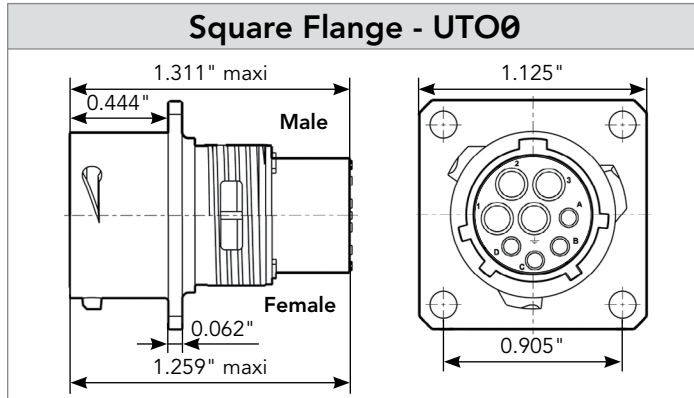
Contact type	Connector type	Sealing	Salt spray	Part number	
				Male insert	Female insert
Contacts supplied separately see page 59	Square flange receptacle	IP67	96h	UT00148PH	UT00148SH
		IP68 & IP69K	96h	UT00148PH6	UT00148SH6
	Plug	IP67, IP68 & IP69K	48h	UT06148PH	UT06148SH
		IP67, IP68 & IP69K	96h	UT06148PH02 (Black)	UT06148SH02 (Black)
	Jam nut receptacle	IP67	48h	UT07148PH	UT07148SH
		IP68 & IP69K	48h	UT07148PH6	UT071482SH6
		IP67	96h	UT071482PH01	UT07148SH01
		IP68 & IP69K	96h	UT07148PH601	UT07148SH601

Backshells

Backshell type	Shielding	Cable range (Ø inch) min/max	Part number	
			Short version	Long version
Cable gland with strain relief nut for water protected applications (IP68 & IP69K) (Fig.1)	-	0.236"/0.393"	UT014JCS	UT014JC
Cable gland with large strain relief nut for water protected applications (IP68 & IP69K) (Fig.2)	-	0.314"/0.472"	UT014JCSL	UT014JCL
Shielded cable gland with strain relief nut for water protected applications (IP68 & IP69K) (Fig.3)	✓	0.275"/0.413"	UT0S14JCS	UT0S14JC
Shielded cable gland with large strain relief nut for water protected applications (IP68 & IP69K) (Fig.4)	✓	0.314"/0.492"	UT0S14JCSL	UT0S14JCL
Metal cable clamp with strain relief (Fig.5)	-	0.393"	UT014AC	
Metal shrink boot adaptor (Fig.6)	-	-	UT014AD	
Metal right angle cable clamp with strain relief nut (Fig.7)	-	0.255"/0.551"	UT014LPGN	
Shielded cable clamp with plastic strain relief nut (Fig.8)	✓	0.255"/0.531"	UT0S14JCPGN	
Cable clamp with plastic strain relief nut (Fig.8)	-	0.255"/0.531"	UT014JCPGN	

148 (Shell size 14, 4x#12 + 4x#16)

Dimensions



Backshells (for Mated Connector Length: See Page 153)

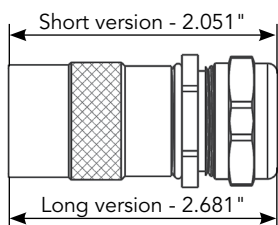


Fig. 1

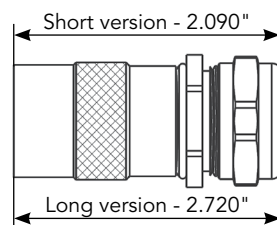


Fig. 2

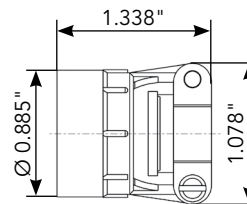


Fig. 5

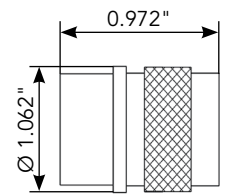


Fig. 6

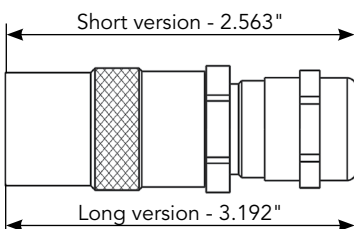


Fig. 3

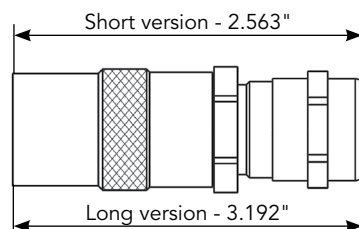


Fig. 4

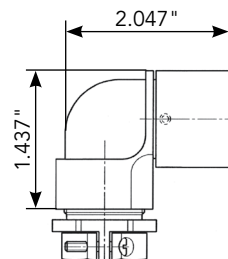


Fig. 7

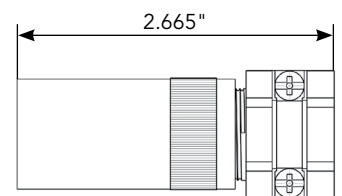


Fig. 8

Note: all dimensions are in inches

148 (Shell size 14, 4x#12 + 4x#16)

Accessories and Tooling

Dustcap (Receptacle)



Part number
UT014DCG*

Dustcap (Plug)




Part number
UTG614DCG*

Handle (without Head)




Part number
SHANDLES

Tool Kit



Part number
TOOLKIT

Gasket



Part number / Neoprene
UTFD14B


Dummy Contact #16



Part number / Polyamide 6.6
SMSPK00

See page 180 for more information

Extraction Tool #16



Part number
RX20D44

Crimp Tooling #12



Part number Hand Tool
M317




Part number
Positioner + Locator Setting
VGE10078A



Part number
Extraction Tool
51060210924

Crimp Tooling (without Shandles)



Contacts	Contact size	Part number of head	
RM/RC 28M1K ⁽¹⁾	Standard contacts #16 Ø 1.6mm	S16RCM20*	
RM/RC 24M9K ⁽¹⁾		S16RCM20*	
RM/RC 20M13K ⁽¹⁾		S16RCM20*	
RM/RC 20M12K ⁽¹⁾		S16RCM20*	
RM/RC 16M23K ⁽¹⁾		S16RCM16*	
RM/RC 14M30K ⁽¹⁾		S16RCM14*	
SM/SC 24ML1TK6 ⁽¹⁾		S16SCM20*	
SM/SC 20ML1TK6 ⁽¹⁾		S16SCM20*	
SM/SC 16ML1TK6 ⁽¹⁾		S16SCML1*	
SM/SC 14ML1TK6 ⁽¹⁾		S16SCML1*	
SM/SC 16ML11TK6 ⁽¹⁾		S16SCML11*	
RMDXX10D28K		Coaxial contacts	M10S1J with die set & stop bushing see page 172 to 174
RCDXX1D28K			
RM/RC DX60xxD28K			
RM/RC DXK10D28 + york090			
RM/RC DX60xxD28			

(1): Example of plating, for other plating options see page 129
* Heads to be used with handle PN: SHANDLES



* For dustcap without chain, skip "G", e.g. UT014DC

148 (Shell size 14, 4x#12 + 4x#16)

Contacts

#16	Contact type	AWG	Part number		Max wire Ø	Max insulator Ø
			Male	Female		
Crimp	Machined	30-28	RM28M1K ⁽¹⁾	RC28M1K ⁽¹⁾	0.021"	0.039"
		26-24	RM24M9K ⁽¹⁾	RC24M9K ⁽¹⁾	0.031"	0.062"
		22-20	RM20M13K ⁽¹⁾	RC20M13K ⁽¹⁾	0.045"	0.070"
		22-20	RM20M12K ⁽¹⁾	RC20M12K ⁽¹⁾	0.045"	0.086"
		20-16	RM16M23K ⁽¹⁾	RC16M23K ⁽¹⁾	0.070"	0.125"
		16-14	RM14M30K ⁽¹⁾	RC14M30K ⁽¹⁾	0.090"	0.125"
	Stamped & Formed reeled contacts <small>See note (2) for loose piece</small>	26-24	SM24M1TK6 ⁽¹⁾⁽²⁾	SC24M1TK6 ⁽¹⁾⁽²⁾	-	0.035"-0.062"
		22-20	SM20M1TK6 ⁽¹⁾⁽²⁾	SC20M1TK6 ⁽¹⁾⁽²⁾	-	0.047"-0.082"
		18-16	SM16M1TK6 ⁽¹⁾⁽²⁾	SC16M1TK6 ⁽¹⁾⁽²⁾	-	0.125"
		18-16	SM16M11TK6 ⁽¹⁾⁽²⁾	SC16M11TK6 ⁽¹⁾⁽²⁾	-	0.118"
14		SM14M1TK6 ⁽¹⁾⁽²⁾	SC14M1TK6 ⁽¹⁾⁽²⁾	-	0.125"	
Coaxial	Cable Multipiece	see pages 131, 168 to 174	RMDXK10D28	RCDXK1D28	-	-
	Cable Monocrimp		RMDX60xxD28	RCDX60xxD28	-	-
	Twisted pair Multipiece		RMDXK10D28 + york090	RCDXK1D28 + york090	-	-
	Twisted pair Monocrimp		RMDX60xxD28	RCDX60xxD28	-	-
#12						
Crimp	Machined	22	82911457NA	82911456A	0.034"	0.192"
		20	82911459NA	82911458A	0.044"	
		18	82911461NA	82911460A	0.055"	
		16	82911463NA	82911462A	0.067"	
		14	82911465NA	82911464A	0.087"	
		12	82911467NA	82911466A	0.111"	

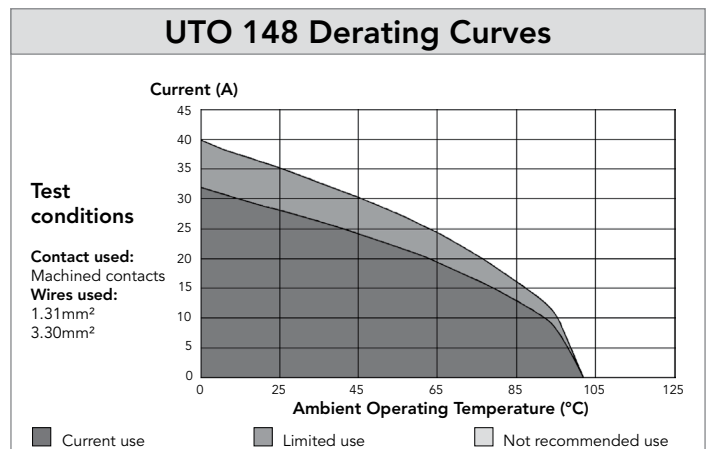
(1): Example of plating, for other plating options see page 129

(2): For loose piece contact packaging, place "L" in part number. Example: SM20ML1TK6

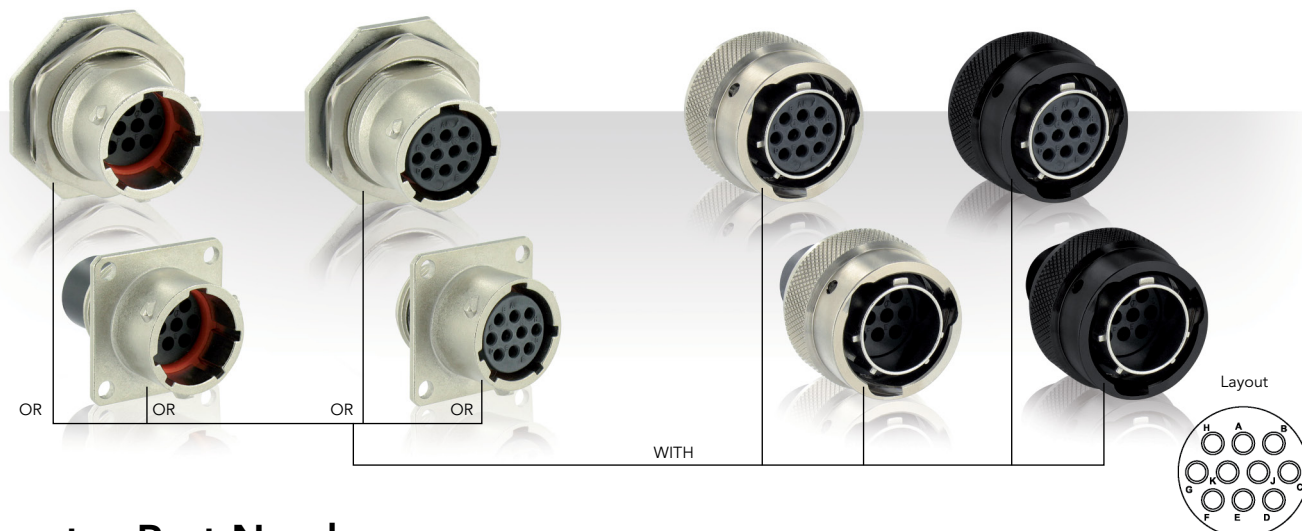
(3): For dimensions see page 132

Note: all dimensions are in inches

Electrical Characteristics
<p>UL 25A 250V UL94 V-0</p> <p>CSA 17A 250V UL94 V-0</p> <p>IEC 17A 230V 1.5kV 3</p>



1210 (Shell size 12, 10x#20)



Connector Part Numbers

Drilling pattern see page 176

Contact type	Connector type	Sealing	Salt spray	Part number*	
				Male insert	Female insert
Contacts supplied separately see page 63	Square flange receptacle	IP67	96h	UT0W01210PH	UT0W01210SH
		IP68 & IP69K	96h	UT0W01210PH6	UT0W01210SH6
	Plug	IP67, IP68 & IP69K	48h	UT0W61210PH	UT0W61210SH
		IP67, IP68 & IP69K	96h	UT0W61210PH02 (Black)	UT0W61210SH02 (Black)
	Jam nut receptacle	IP67	48h	UT0W71210PH	UT0W71210SH
		IP68 & IP69K	48h	UT0W71210PH6	UT0W71210SH6
		IP67	96h	UT0W71210PH01	UT0W71210SH01
		IP68 & IP69K	96h	UT0W71210PH601	UT0W71210SH601

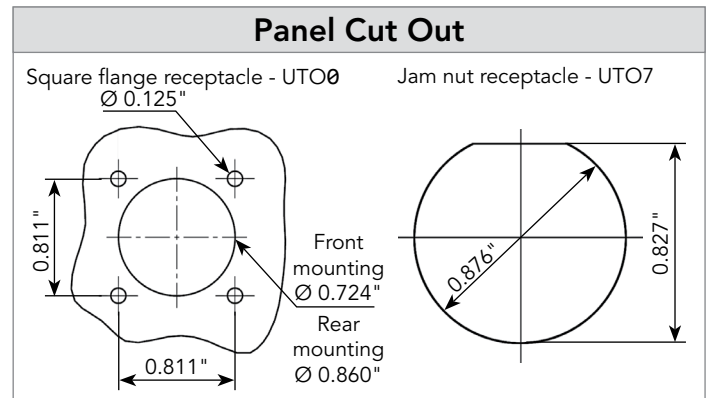
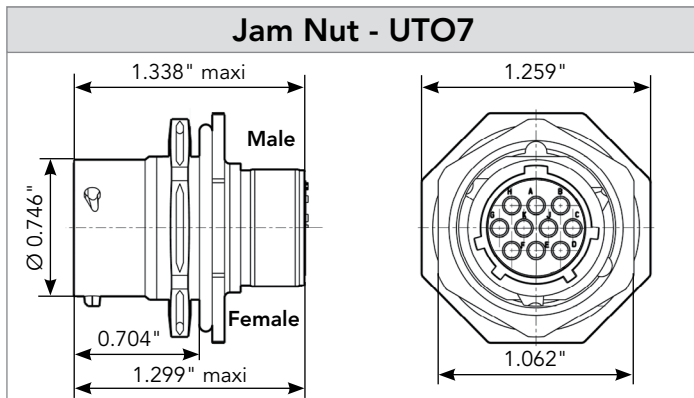
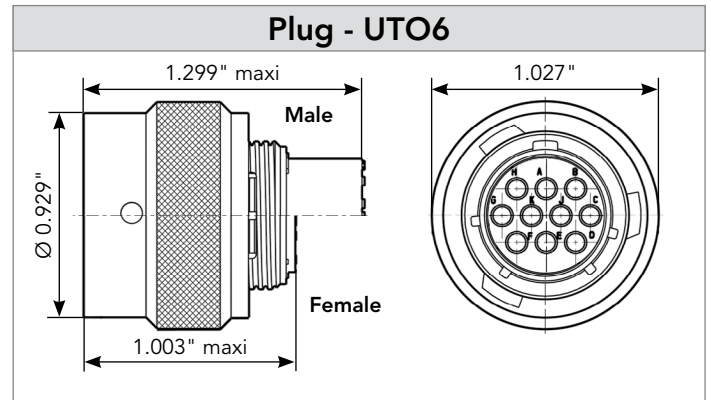
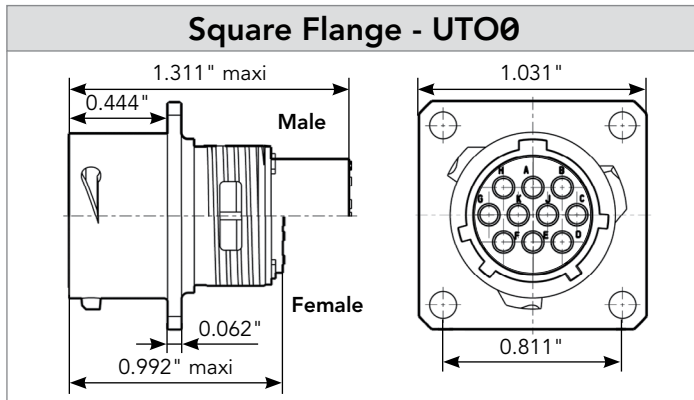
* Other discrimination keying option, see page 180

Backshells

Backshell type	Shielding	Cable range (Ø inch) min/max	Part number	
			Short version	Long version
Cable gland with strain relief nut for water protected applications (IP68 & IP69K) (Fig.1)	-	0.236"/0.393"	UT012JCS	UT012JC
Cable gland with large strain relief nut for water protected applications (IP68 & IP69K) (Fig.2)	-	0.314"/0.472"	UT012JCSL	UT012JCL
Shielded cable gland with strain relief nut for water protected applications (IP68 & IP69K) (Fig.3)	✓	0.275"/0.413"	UT0S12JCS	UT0S12JC
Shielded cable gland with large strain relief nut for water protected applications (IP68 & IP69K) (Fig.4)	✓	0.314"/0.492"	UT0S12JCSL	UT0S12JCL
Metal cable clamp with strain relief (Fig.5)	-	0.322"	UT012AC	
Metal shrink boot adaptor (Fig.6)	-	-	UT012AD	
Metal right angle cable clamp with strain relief nut (Fig.7)	-	0.255"/0.472"	UT012LPGN	
Shielded cable clamp with plastic strain relief nut (Fig.8)	✓	0.255"/0.468"	UT0S12JCPGN	
Cable clamp with plastic strain relief nut (Fig.8)	-	0.255"/0.468"	UT012JCPGN	

1210 (Shell size 12, 10x#20)

Dimensions



Backshells (for Mated Connector Length: See Page 153)

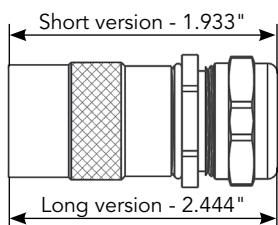


Fig. 1

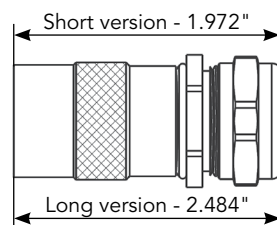


Fig. 2

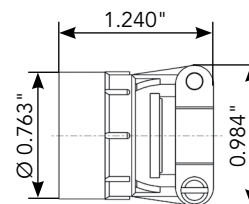


Fig. 5

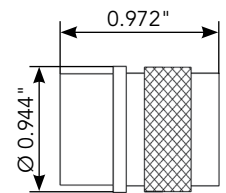


Fig. 6

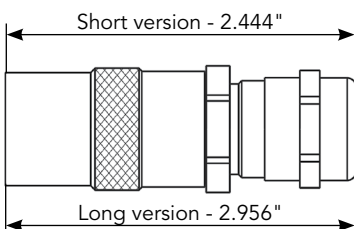


Fig. 3

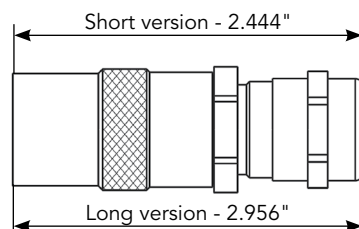


Fig. 4

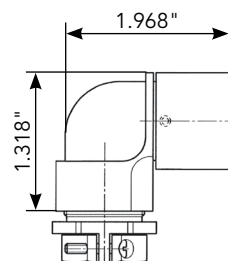


Fig. 7

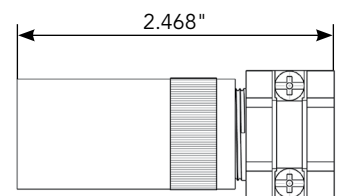


Fig. 8

Note: all dimensions are in inches

1210 (Shell size 12, 10x#20)

Accessories and Tooling

Dustcap (Receptacle)



Part number
UT012DCG*

Dustcap (Plug)



Part number
UTG612DCG*

Handle (without Head)




Part number
SHANDLES

Tool Kit



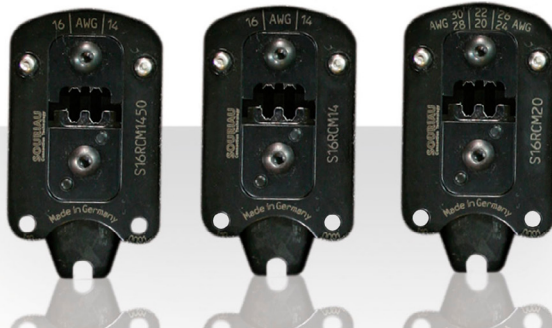
Part number
TOOLKIT

Gasket



Part number / Neoprene
UTFD13B

Crimp Tooling (without Shandles)



Contacts	Contact size	Part number of head
RM/RC 24W3K ⁽¹⁾	Standard contacts #20 Ø 1mm	S20RCM*
RM/RC 20W3K ⁽¹⁾		S20RCM*
RM/RC 18W3K ⁽¹⁾		S20RCM*
SM/SC 24WL3 ⁽¹⁾⁽²⁾		S20SCM20*
SM/SC 20WL3 ⁽¹⁾⁽²⁾		S20SCM20*

(1): Example of plating, for other plating options see page 129
 (2): loose contact
 * Heads to be used with handle PN: SHANDLES



Extraction Tool #20



Part number
RX20D44

* For dustcap without chain, skip "G", e.g. UT012DC

1210 (Shell size 12, 10x#20)

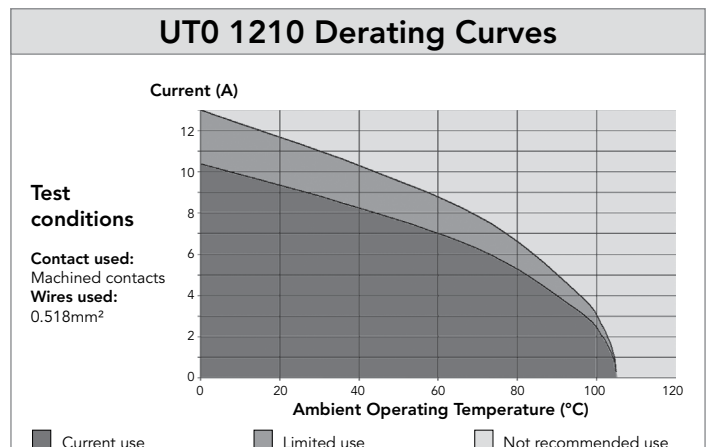
Contacts

#20	Contact type	AWG	Part number		Max wire Ø	Max insulator Ø
			Male	Female		
Crimp	Machined	26-24	RM24W3K	RC24W3K	0.031"	0.062"
		22-20	RM20W3K	RC20W3K	0.045"	0.062"
		20-18	RM18W3K	RC18W3K	0.051"	0.082"
	Stamped & Formed reeled contacts <small>See note (2) for loose piece</small>	26-24	SM24W3TK6 ⁽¹⁾⁽²⁾	SC24W3TK6 ⁽¹⁾⁽²⁾	-	0.035"-0.062"
		26-24	SM24W3S26 ⁽¹⁾⁽²⁾	SC24W3S25 ⁽¹⁾⁽²⁾	-	0.035"-0.062"
		22-20	SM20W3TK6 ⁽¹⁾⁽²⁾	SC20W3TK6 ⁽¹⁾⁽²⁾	-	0.047"-0.082"
		22-20	SM20W3S26 ⁽¹⁾⁽²⁾	SC20W3S25 ⁽¹⁾⁽²⁾	-	0.047"-0.082"
	PCB	Machined ⁽³⁾	-	RMW5016K	RCW5016K	-

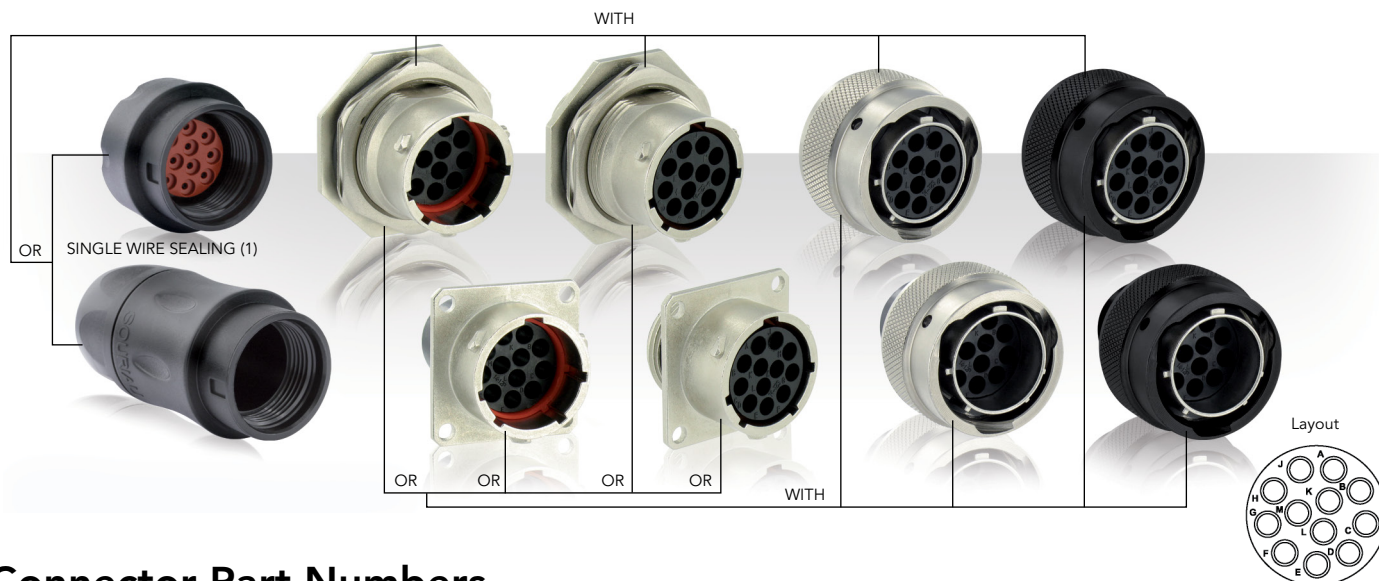
(1): Example of plating, for other plating options see page 129
 (2): For loose piece contact packaging, place "L" in part number. Example: SM20WL3TK6
 (3): For dimensions see page 132

Note: all dimensions are in inches

Electrical Characteristics
<p>UL 5A 250V UL94 V-0</p> <p>CSA 4A 250V UL94 V-0</p> <p>IEC 6A 40V 1.5kV 3</p>



1412 (Shell size 14, 12x#16)



Connector Part Numbers

Drilling pattern see page 176

Contact type	Connector type	Sealing	Salt spray	Part number*	
				Male insert	Female insert
Contacts supplied separately see page 67	Square flange receptacle	IP67	96h	UT001412PH	UT001412SH
		IP68 & IP69K	96h	UT001412PH6	UT001412SH6
	Plug	IP67, IP68 & IP69K	48h	UT061412PH	UT061412SH⁽¹⁾
		IP67, IP68 & IP69K	96h	UT061412PH02 (Black)	UT061412SH02⁽¹⁾ (Black)
	Jam nut receptacle	IP67	48h	UT071412PH⁽¹⁾	UT071412SH
			48h	UT071412PH6⁽¹⁾	UT071412SH6
		IP67	96h	UT071412PH01⁽¹⁾	UT071412SH01
		IP68 & IP69K	96h	UT071412PH601⁽¹⁾	UT071412SH601

* Other discrimination keying option, see page 180

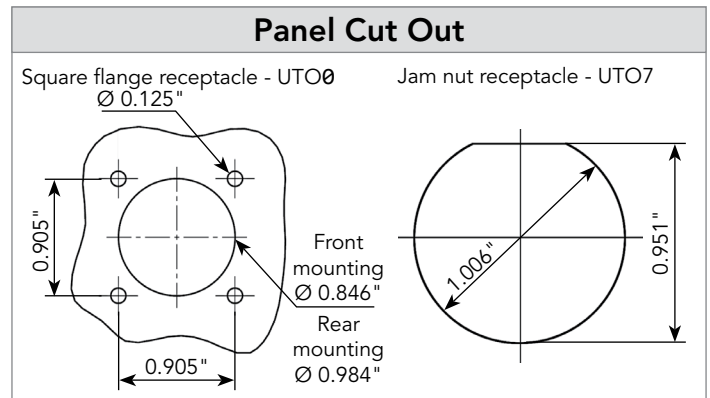
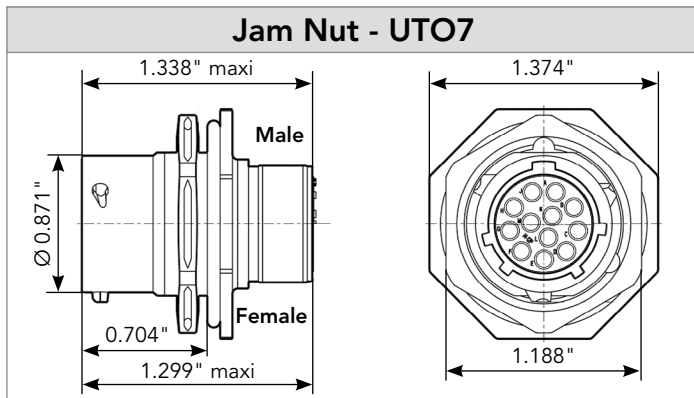
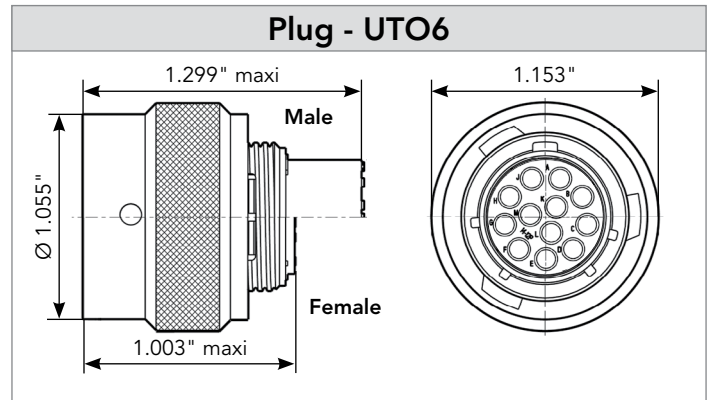
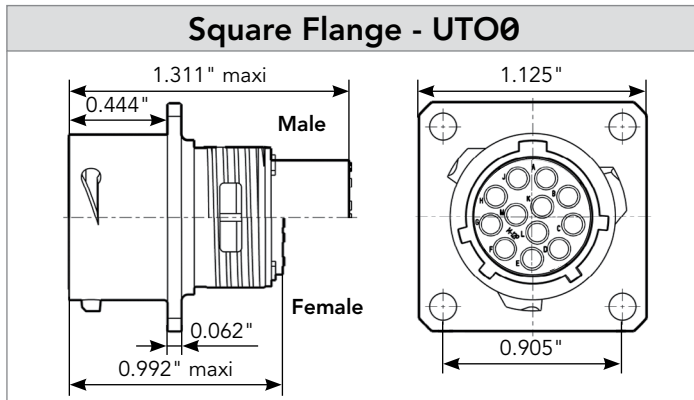
(1): For single wire sealing solution please add GN or GJC after UT06 or UT07. Eg UT07GN1412PH

Backshells

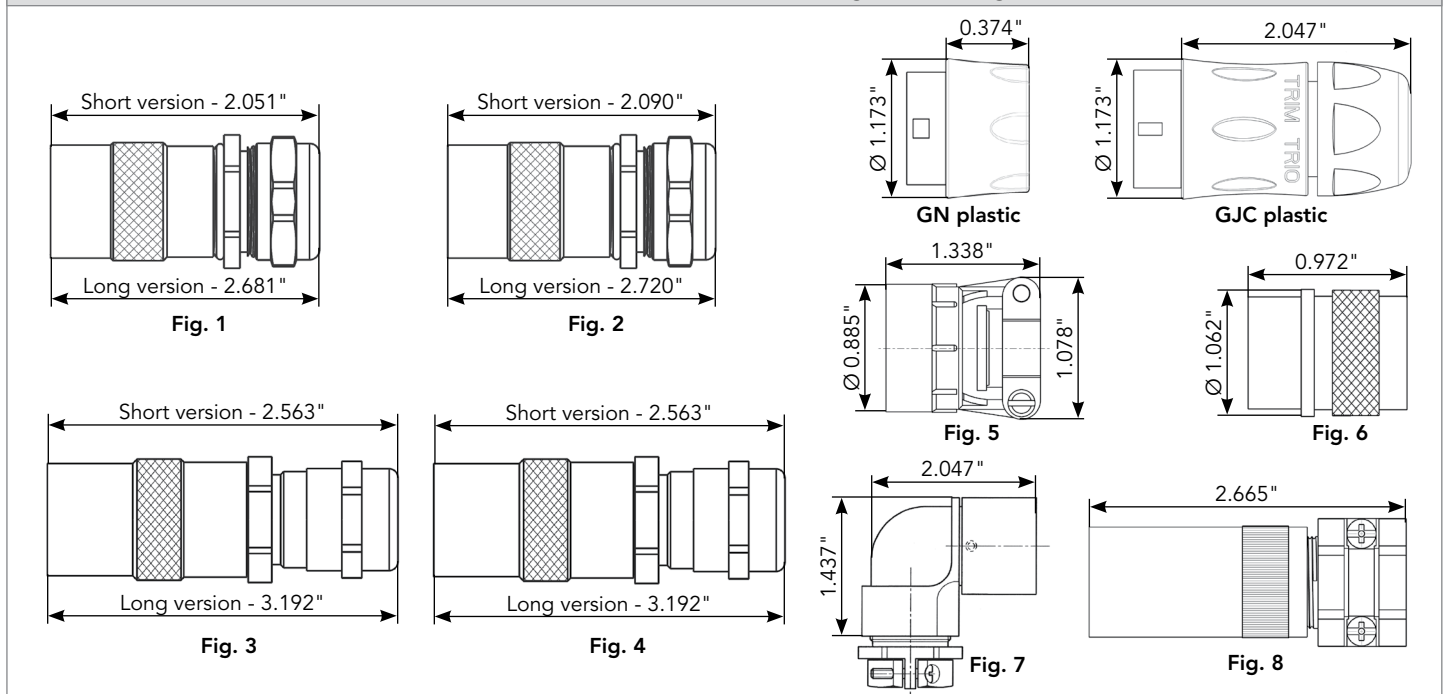
Backshell type	Shielding	Cable range (Ø inch) min/max	Part number	
			Short version	Long version
Cable gland with strain relief nut for water protected applications (IP68 & IP69K) (Fig.1)	-	0.236"/0.393"	UT014JCS	UT014JC
Cable gland with large strain relief nut for water protected applications (IP68 & IP69K) (Fig.2)	-	0.314"/0.472"	UT014JCSL	UT014JCL
Shielded cable gland with strain relief nut for water protected applications (IP68 & IP69K) (Fig.3)	✓	0.275"/0.413"	UT0S14JCS	UT0S14JC
Shielded cable gland with large strain relief nut for water protected applications (IP68 & IP69K) (Fig.4)	✓	0.314"/0.492"	UT0S14JCSL	UT0S14JCL
Metal cable clamp with strain relief (Fig.5)	-	0.393"	UT014AC	
Metal shrink boot adaptor (Fig.6)	-	-	UT014AD	
Metal right angle cable clamp with strain relief nut (Fig.7)	-	0.255"/0.551"	UT014LPGN	
Shielded cable clamp with plastic strain relief nut (Fig.8)	✓	0.255"/0.531"	UT0S14JCPGN	
Cable clamp with plastic strain relief nut (Fig.8)	-	0.255"/0.531"	UT014JCPGN	

1412 (Shell size 14, 12x#16)

Dimensions



Backshells (for Mated Connector Length: See Page 153)



Note: all dimensions are in inches

1412 (Shell size 14, 12x#16)

Accessories and Tooling

Dustcap (Receptacle)



Part number
UT014DCG*

Dustcap (Plug)




Part number
UTG614DCG*

Handle (without Head)




Part number
SHANDLES

Tool Kit



Part number
TOOLKIT

Gasket



Part number / Neoprene
UTFD14B

Dummy Contact #16



Part number / Polyamide 6.6
SMSPE0


See page 180 for more information

Extraction Tool #16



Part number
RX2025GE1

Crimp Tooling (without Shandles)



Contacts	Contact size	Part number of head	
RM/RC 28M1K ⁽¹⁾	Standard contacts #16 Ø 1.6mm	S16RCM20*	
RM/RC 24M9K ⁽¹⁾		S16RCM20*	
RM/RC 20M13K ⁽¹⁾		S16RCM20*	
RM/RC 20M12K ⁽¹⁾		S16RCM20*	
RM/RC 16M23K ⁽¹⁾		S16RCM16*	
RM/RC 14M30K ⁽¹⁾		S16RCM14*	
SM/SC 24ML1TK6 ⁽¹⁾		S16SCM20*	
SM/SC 20ML1TK6 ⁽¹⁾		S16SCM20*	
SM/SC 16ML1TK6 ⁽¹⁾		S16SCML1*	
SM/SC 14ML1TK6 ⁽¹⁾		S16SCML1*	
SM/SC 16ML11TK6 ⁽¹⁾		S16SCML11*	
RMDXK10D28K		Coaxial contacts	M10S1J with die set & stop bushing see page 172 to 174
RCDXK1D28K			
RM/RC DX60xxD28K			
RM/RC DXK10D28 + york090			
RM/RC DX60xxD28			

(1): Example of plating, for other plating options see page 129
* Heads to be used with handle PN: SHANDLES



* For dustcap without chain, skip "G", e.g. UT014DC

1412 (Shell size 14, 12x#16)

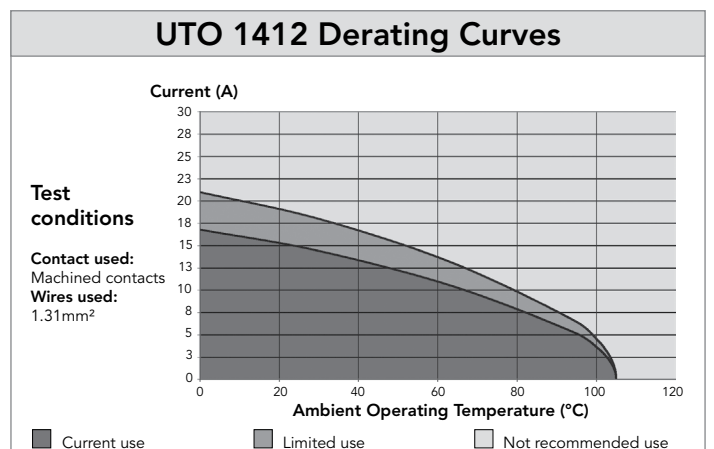
Contacts

#16	Contact type	AWG	Part number		Max wire Ø	Max insulator Ø
			Male	Female		
Crimp	Machined	30-28	RM28M1K ⁽¹⁾	RC28M1K ⁽¹⁾	0.021"	0.039"
		26-24	RM24M9K ⁽¹⁾	RC24M9K ⁽¹⁾	0.031"	0.062"
		22-20	RM20M13K ⁽¹⁾	RC20M13K ⁽¹⁾	0.045"	0.070"
		22-20	RM20M12K ⁽¹⁾	RC20M12K ⁽¹⁾	0.045"	0.086"
		20-16	RM16M23K ⁽¹⁾	RC16M23K ⁽¹⁾	0.070"	0.125"
		16-14	RM14M30K ⁽¹⁾	RC14M30K ⁽¹⁾	0.090"	0.125"
	Stamped & Formed reeled contacts <small>See note (2) for loose piece</small>	26-24	SM24M1TK6 ⁽¹⁾⁽²⁾	SC24M1TK6 ⁽¹⁾⁽²⁾	-	0.035"-0.062"
		22-20	SM20M1TK6 ⁽¹⁾⁽²⁾	SC20M1TK6 ⁽¹⁾⁽²⁾	-	0.047"-0.082"
		18-16	SM16M1TK6 ⁽¹⁾⁽²⁾	SC16M1TK6 ⁽¹⁾⁽²⁾	-	0.125"
		18-16	SM16M11TK6 ⁽¹⁾⁽²⁾	SC16M11TK6 ⁽¹⁾⁽²⁾	-	0.118"
14		SM14M1TK6 ⁽¹⁾⁽²⁾	SC14M1TK6 ⁽¹⁾⁽²⁾	-	0.125"	
PCB	Machined ⁽³⁾	-	RM20M12E8K ⁽¹⁾	RC20M12E84K ⁽¹⁾	-	-
Coaxial	Cable Multipiece	see pages 131, 168 to 174	RMDXK10D28	RCDXK1D28	-	-
	Cable Monocrimp		RMDX60xxD28	RCDX60xxD28	-	-
	Twisted pair Multipiece		RMDXK10D28 + york090	RCDXK1D28 + york090	-	-
	Twisted pair Monocrimp		RMDX60xxD28	RCDX60xxD28	-	-

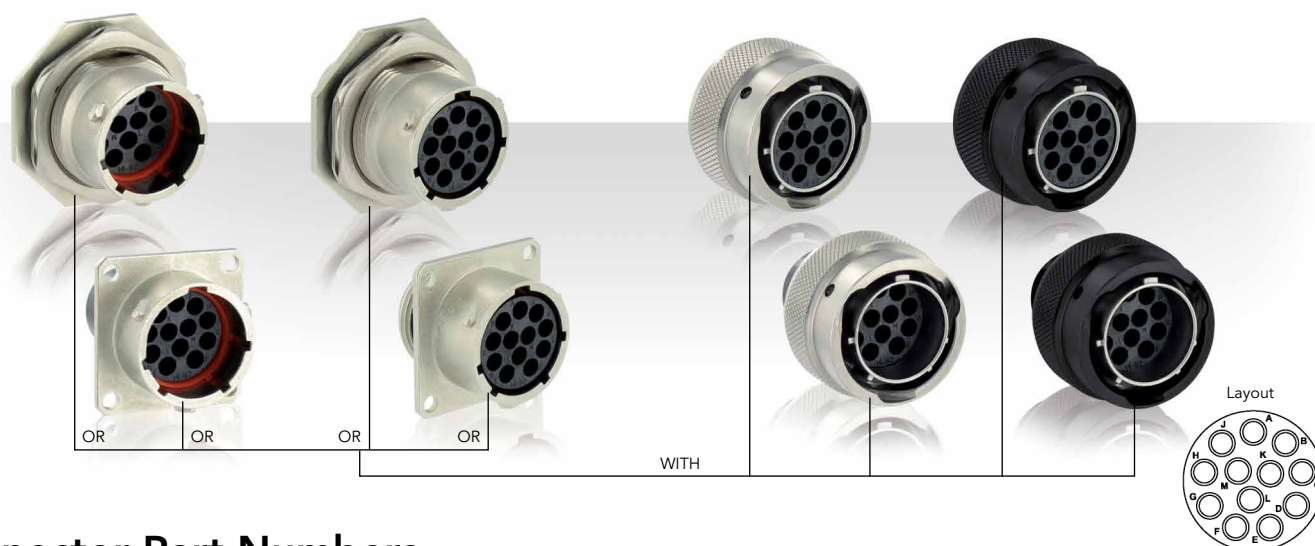
(1): Example of plating, for other plating options see page 129
 (2): For loose piece contact packaging, place "L" in part number. Example: SM20ML1TK6
 (3): For dimensions see page 132
 Note: all dimensions are in inches

12

Electrical Characteristics
<p>UL 10A 500V UL94 V-0</p> <p>CSA 7A 500V UL94 V-0</p> <p>IEC 10A 150V 2.5kV 3</p>



1492 (Shell size 14, 12x#16)



Connector Part Numbers

Drilling pattern see page 176

Contact type	Connector type	Sealing	Salt spray	Part number*	
				Male insert	Female insert
Contacts supplied separately see page 71	Square flange receptacle	IP67	96h	UT001492PH	UT001492SH
		IP68 & IP69K	96h	UT001492PH6	UT001492SH6
	Plug	IP67, IP68 & IP69K	48h	UT061492PH	UT061492SH
		IP67, IP68 & IP69K	96h	UT061492PH02 (Black)	UT061492SH02 (Black)
	Jam nut receptacle	IP67	48h	UT071492PH	UT071492SH
			48h	UT071492PH6	UT071492SH6
		IP67	96h	UT071492PH01	UT071492SH01
		IP68 & IP69K	96h	UT071492PH601	UT071492SH601

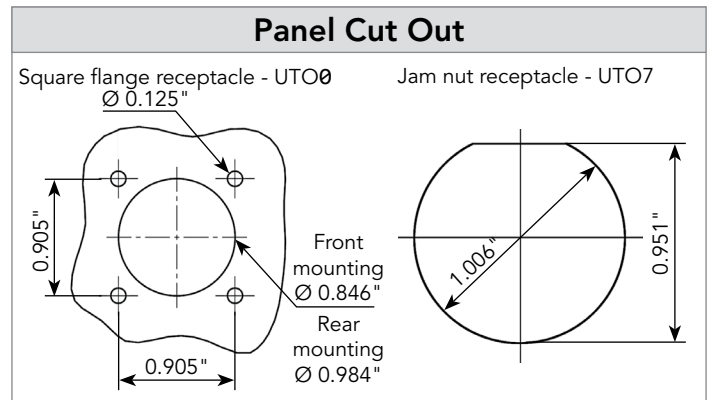
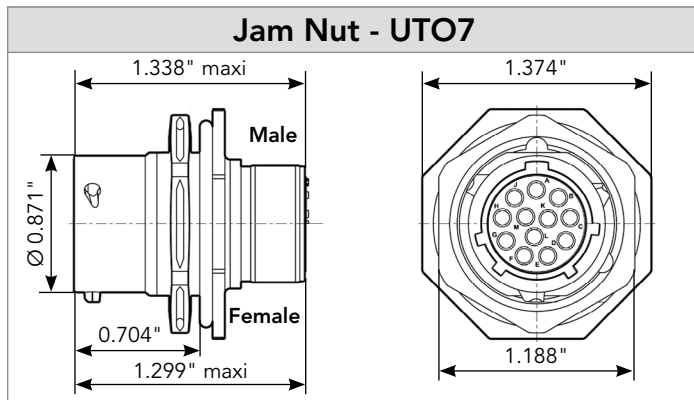
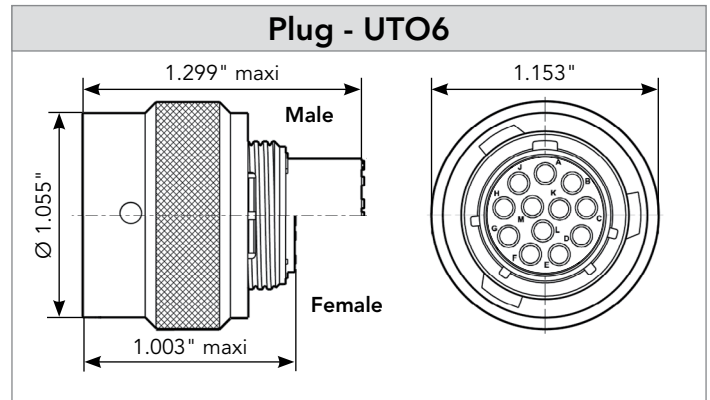
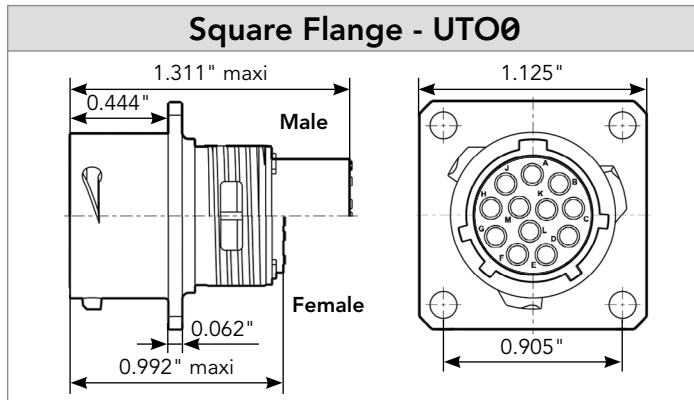
* Other discrimination keying option, see page 180

Backshells

Backshell type	Shielding	Cable range (Ø inch) min/max	Part number	
			Short version	Long version
Cable gland with strain relief nut for water protected applications (IP68 & IP69K) (Fig.1)	-	0.236"/0.393"	UT014JCS	UT014JC
Cable gland with large strain relief nut for water protected applications (IP68 & IP69K) (Fig.2)	-	0.314"/0.472"	UT014JCSL	UT014JCL
Shielded cable gland with strain relief nut for water protected applications (IP68 & IP69K) (Fig.3)	✓	0.275"/0.413"	UT0S14JCS	UT0S14JC
Shielded cable gland with large strain relief nut for water protected applications (IP68 & IP69K) (Fig.4)	✓	0.314"/0.492"	UT0S14JCSL	UT0S14JCL
Metal cable clamp with strain relief (Fig.5)	-	0.393"	UT014AC	
Metal shrink boot adaptor (Fig.6)	-	-	UT014AD	
Metal right angle cable clamp with strain relief nut (Fig.7)	-	0.255"/0.551"	UT014LPGN	
Shielded cable clamp with plastic strain relief nut (Fig.8)	✓	0.255"/0.531"	UT0S14JCPGN	
Cable clamp with plastic strain relief nut (Fig.8)	-	0.255"/0.531"	UT014JCPGN	

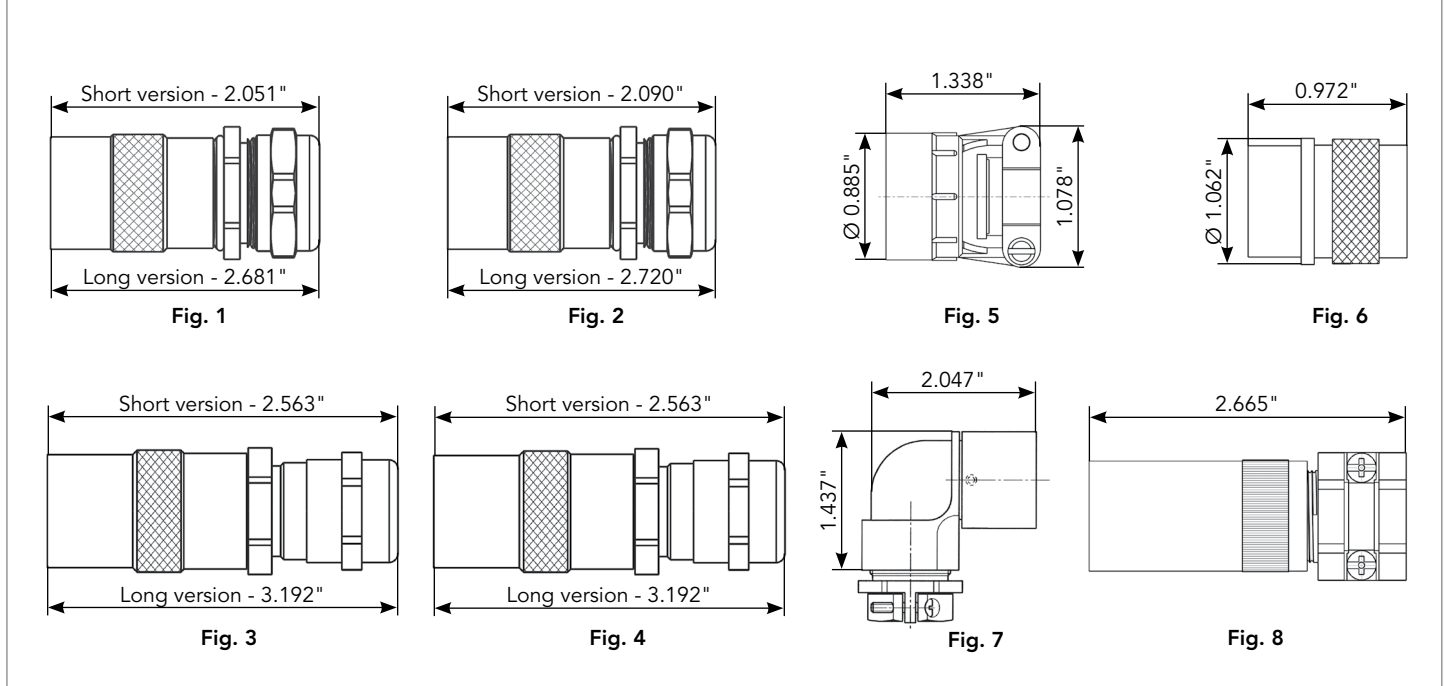
1492 (Shell size 14, 12x#16)

Dimensions



12

Backshells (for Mated Connector Length: See Page 153)



Note: all dimensions are in inches

1492 (Shell size 14, 12x#16)

Accessories and Tooling

Dustcap (Receptacle)



Part number
UT014DCG*

Dustcap (Plug)




Part number
UTG614DCG*

Handle (without Head)




Part number
SHANDLES

Tool Kit



Part number
TOOLKIT

Gasket



Part number / Neoprene
UTFD14B

Dummy Contact #16



Part number / Polyamide 6.6
SMSPK00


See page 180 for more information

Extraction Tool #16



Part number
RX2025GE1

Crimp Tooling (without Shandles)



Contacts	Contact size	Part number of head	
RM/RC 28M1K ⁽¹⁾	Standard contacts #16 Ø 1.6mm	S16RCM20*	
RM/RC 24M9K ⁽¹⁾		S16RCM20*	
RM/RC 20M13K ⁽¹⁾		S16RCM20*	
RM/RC 20M12K ⁽¹⁾		S16RCM20*	
RM/RC 16M23K ⁽¹⁾		S16RCM16*	
RM/RC 14M30K ⁽¹⁾		S16RCM14*	
SM/SC 24ML1TK6 ⁽¹⁾		S16SCM20*	
SM/SC 20ML1TK6 ⁽¹⁾		S16SCM20*	
SM/SC 16ML1TK6 ⁽¹⁾		S16SCML1*	
SM/SC 14ML1TK6 ⁽¹⁾		S16SCML1*	
SM/SC 16ML11TK6 ⁽¹⁾		S16SCML11*	
RMDXK10D28K		Coaxial contacts	M10S1J with die set & stop bushing see page 172 to 174
RCDXK1D28K			
RM/RC DX60xxD28K			
RM/RC DXK10D28 + york090			
RM/RC DX60xxD28			

(1): Example of plating, for other plating options see page 129
* Heads to be used with handle PN: SHANDLES



* For dustcap without chain, skip "G", e.g. UT014DC

1492 (Shell size 14, 12x#16)

Contacts

#16	Contact type	AWG	Part number		Max wire Ø	Max insulator Ø
			Male	Female		
Crimp	Machined	30-28	RM28M1K ⁽¹⁾	RC28M1K ⁽¹⁾	0.021"	0.039"
		26-24	RM24M9K ⁽¹⁾	RC24M9K ⁽¹⁾	0.031"	0.062"
		22-20	RM20M13K ⁽¹⁾	RC20M13K ⁽¹⁾	0.045"	0.070"
		22-20	RM20M12K ⁽¹⁾	RC20M12K ⁽¹⁾	0.045"	0.086"
		20-16	RM16M23K ⁽¹⁾	RC16M23K ⁽¹⁾	0.070"	0.125"
		16-14	RM14M30K ⁽¹⁾	RC14M30K ⁽¹⁾	0.090"	0.125"
	Stamped & Formed reeled contacts <small>See note (2) for loose piece</small>	26-24	SM24M1TK6 ⁽¹⁾⁽²⁾	SC24M1TK6 ⁽¹⁾⁽²⁾	-	0.035"-0.062"
		22-20	SM20M1TK6 ⁽¹⁾⁽²⁾	SC20M1TK6 ⁽¹⁾⁽²⁾	-	0.047"-0.082"
		18-16	SM16M1TK6 ⁽¹⁾⁽²⁾	SC16M1TK6 ⁽¹⁾⁽²⁾	-	0.125"
		18-16	SM16M11TK6 ⁽¹⁾⁽²⁾	SC16M11TK6 ⁽¹⁾⁽²⁾	-	0.118"
14		SM14M1TK6 ⁽¹⁾⁽²⁾	SC14M1TK6 ⁽¹⁾⁽²⁾	-	0.125"	
PCB	Machined ⁽³⁾	-	RM20M12E8K ⁽¹⁾	RC20M12E84K ⁽¹⁾	-	-
Coaxial	Cable Multipiece	see pages 131, 168 to 174	RMDXK10D28	RCDXK1D28	-	-
	Cable Monocrimp		RMDX60xxD28	RCDX60xxD28	-	-
	Twisted pair Multipiece		RMDXK10D28 + york090	RCDXK1D28 + york090	-	-
	Twisted pair Monocrimp		RMDX60xxD28	RCDX60xxD28	-	-

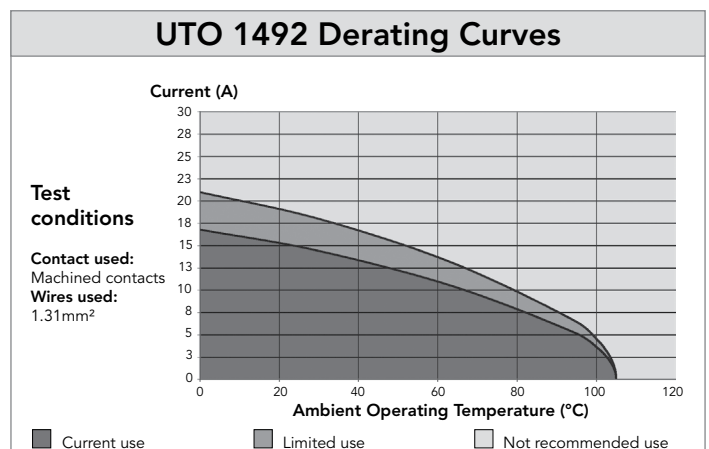
(1): Example of plating, for other plating options see page 129

(2): For loose piece contact packaging, place "L" in part number. Example: SM20ML1TK6

(3): For dimensions see page 132

Note: all dimensions are in inches

Electrical Characteristics
<p>UL 10A 500V UL94 V-0</p> <p>CSA 7A 500V UL94 V-0</p> <p>IEC 10A 150V 2.5kV 3</p>



1419 (Shell size 14, 19x#20)



Connector Part Numbers

Drilling pattern see page 176

Contact type	Connector type	Sealing	Salt spray	Part number*	
				Male insert	Female insert
Contacts supplied separately see page 75	Square flange receptacle	IP67	96h	UT0W01419PH	UT0W01419SH
		IP68 & IP69K	96h	UT0W01419PH6	UT0W01419SH6
	Plug	IP67, IP68 & IP69K	48h	UT0W61419PH	UT0W61419SH
		IP67, IP68 & IP69K	96h	UT0W61419PH02_(Black)	UT0W61419SH02_(Black)
	Jam nut receptacle	IP67	48h	UT0W71419PH	UT0W71419SH
			48h	UT0W71419PH6	UT0W71419SH6
		IP68 & IP69K	96h	UT0W71419PH01	UT0W71419SH01
			96h	UT0W71419PH601	UT0W71419SH601

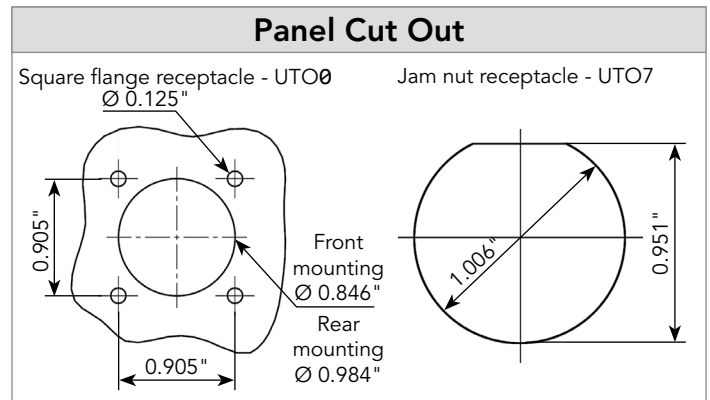
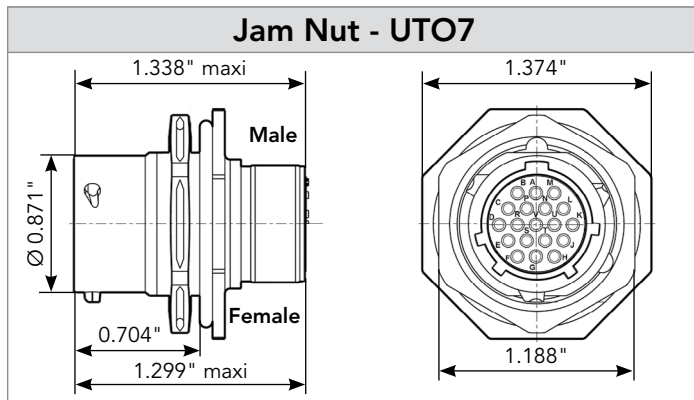
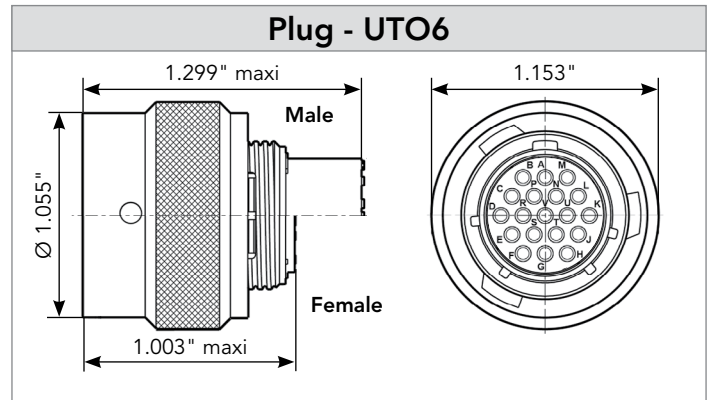
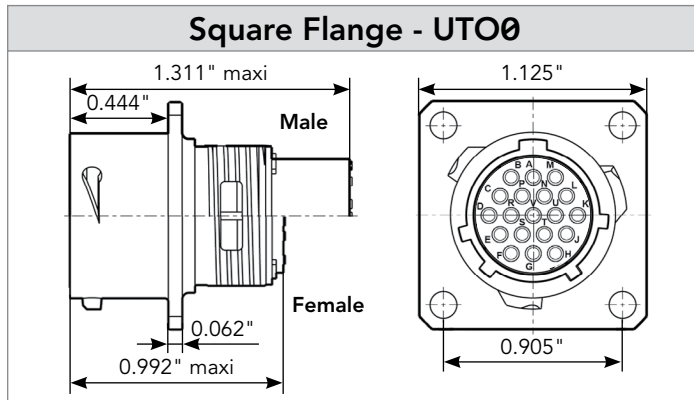
* Other discrimination keying option, see page 180

Backshells

Backshell type	Shielding	Cable range (Ø inch) min/max	Part number	
			Short version	Long version
Cable gland with strain relief nut for water protected applications (IP68 & IP69K) (Fig.1)	-	0.236"/0.393"	UT014JCS	UT014JC
Cable gland with large strain relief nut for water protected applications (IP68 & IP69K) (Fig.2)	-	0.314"/0.472"	UT014JCSL	UT014JCL
Shielded cable gland with strain relief nut for water protected applications (IP68 & IP69K) (Fig.3)	✓	0.275"/0.413"	UT0S14JCS	UT0S14JC
Shielded cable gland with large strain relief nut for water protected applications (IP68 & IP69K) (Fig.4)	✓	0.314"/0.492"	UT0S14JCSL	UT0S14JCL
Metal cable clamp with strain relief (Fig.5)	-	0.393"	UT014AC	
Metal shrink boot adaptor (Fig.6)	-	-	UT014AD	
Metal right angle cable clamp with strain relief nut (Fig.7)	-	0.255"/0.551"	UT014LPGN	
Shielded cable clamp with plastic strain relief nut (Fig.8)	✓	0.255"/0.531"	UT0S14JCPGN	
Cable clamp with plastic strain relief nut (Fig.8)	-	0.255"/0.531"	UT014JCPGN	

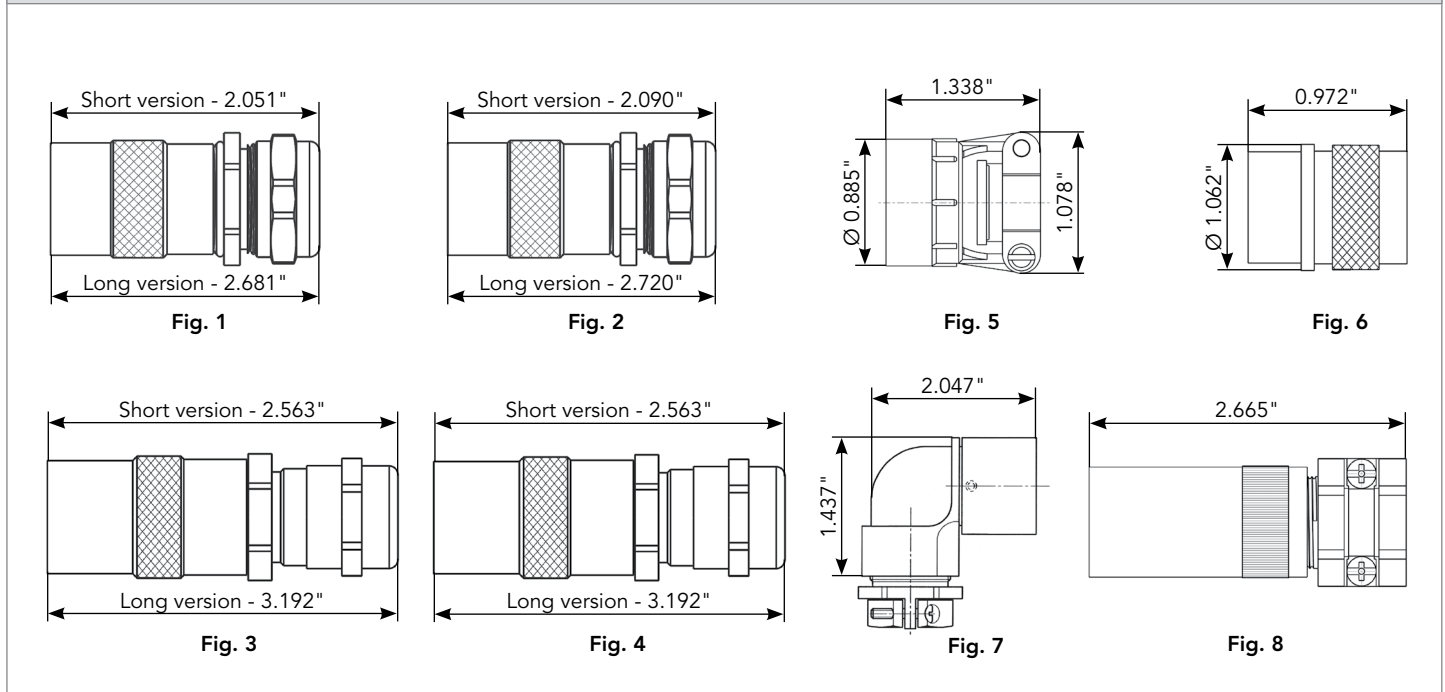
1419 (Shell size 14, 19x#20)

Dimensions



19

Backshells (for Mated Connector Length: See Page 153)



Note: all dimensions are in inches

1419 (Shell size 14, 19x#20)

Accessories and Tooling

Dustcap (Receptacle)



Part number
UT014DCG*

Dustcap (Plug)



Part number
UTG614DCG*

Handle (without Head)




Part number
SHANDLES

Tool Kit



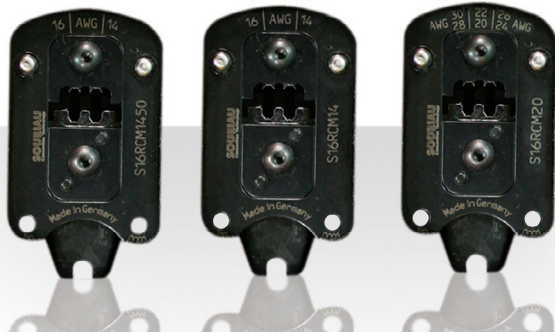
Part number
TOOLKIT

Gasket



Part number / Neoprene
UTFD14B

Crimp Tooling (without Shandles)



Contacts	Contact size	Part number of head
RM/RC 24W3K ⁽¹⁾	Standard contacts #20 Ø 1mm	S20RCM*
RM/RC 20W3K ⁽¹⁾		S20RCM*
RM/RC 18W3K ⁽¹⁾		S20RCM*
SM/SC 24WL3 ⁽¹⁾⁽²⁾		S20SCM20*
SM/SC 20WL3 ⁽¹⁾⁽²⁾		S20SCM20*

(1): Example of plating, for other plating options see page 129
 (2): loose contact
 * Heads to be used with handle PN: SHANDLES



Extraction Tool #20



Part number
RX20D44

* For dustcap without chain, skip "G", e.g. UT014DC

1419 (Shell size 14, 19x#20)

Contacts

#20	Contact type	AWG	Part number		Max wire Ø	Max insulator Ø
			Male	Female		
Crimp	Machined	26-24	RM24W3K	RC24W3K	0.031"	0.062"
		22-20	RM20W3K	RC20W3K	0.045"	0.062"
		20-18	RM18W3K	RC18W3K	0.051"	0.082"
	Stamped & Formed reeled contacts <small>See note (2) for loose piece</small>	26-24	SM24W3TK6 ⁽¹⁾⁽²⁾	SC24W3TK6 ⁽¹⁾⁽²⁾	-	0.035"-0.062"
		26-24	SM24W3S26 ⁽¹⁾⁽²⁾	SC24W3S25 ⁽¹⁾⁽²⁾	-	0.035"-0.062"
		22-20	SM20W3TK6 ⁽¹⁾⁽²⁾	SC20W3TK6 ⁽¹⁾⁽²⁾	-	0.047"-0.082"
		22-20	SM20W3S26 ⁽¹⁾⁽²⁾	SC20W3S25 ⁽¹⁾⁽²⁾	-	0.047"-0.082"
	PCB	Machined ⁽³⁾	-	RMW5016K	RCW5016K	-

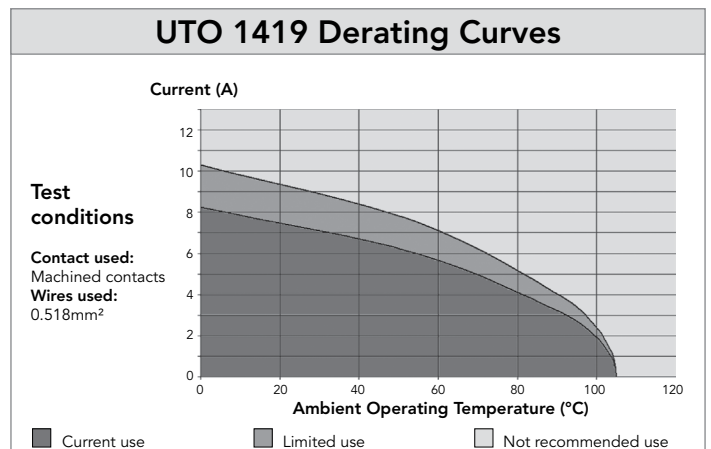
(1): Example of plating, for other plating options see page 129

(2): For loose piece contact packaging, place "L" in part number. Example: SM20WL3TK6

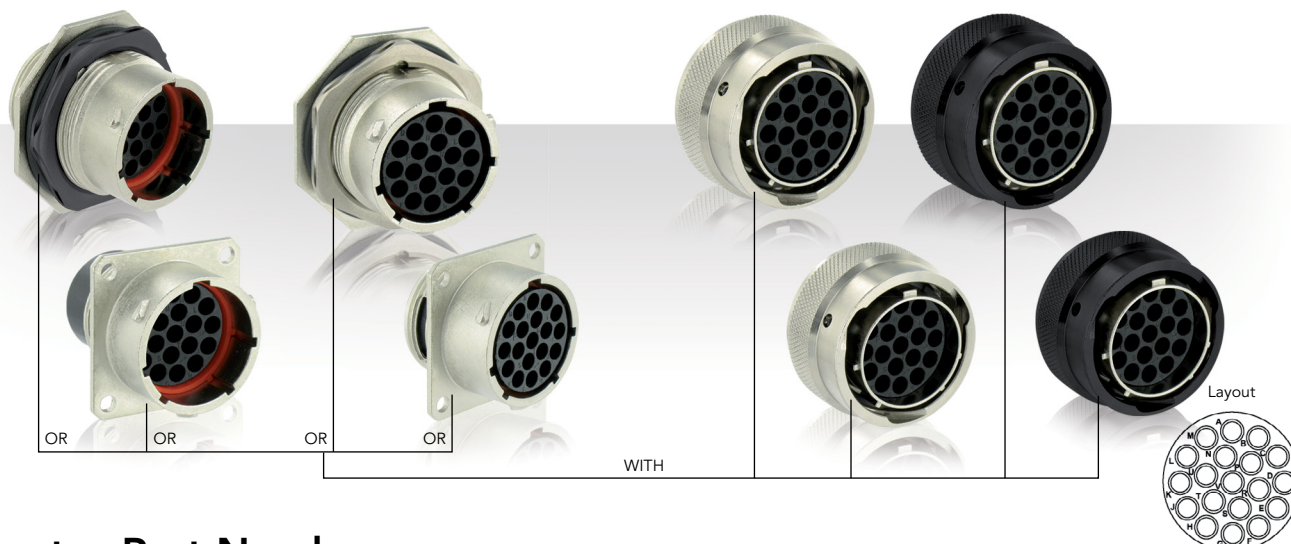
(3): For dimensions see page 132

Note: all dimensions are in inches

Electrical Characteristics
<p>UL 5A 250V UL94 V-0</p> <p>CSA 4A 250V UL94 V-0</p> <p>IEC 5A 40V 1.5kV 3</p>



1619 (Shell size 16, 19x#16)



Connector Part Numbers

Drilling pattern see page 177

Contact type	Connector type	Sealing	Salt spray	Part number*	
				Male insert	Female insert
Contacts supplied separately see page 79	Square flange receptacle	IP67	96h	UT001619PH	UT001619SH
		IP68 & IP69K	96h	UT001619PH6	UT001619SH6
	Plug	IP67, IP68 & IP69K	48h	UT061619PH	UT061619SH
		IP67, IP68 & IP69K	96h	UT061619PH02 (Black)	UT061619SH02 (Black)
	Jam nut receptacle	IP67	48h	UT071619PH	UT071619SH
		IP68 & IP69K	48h	UT071619PH6	UT071619SH6
		IP67	96h	UT071619PH01	UT071619SH01
		IP68 & IP69K	96h	UT071619PH601	UT071619SH601

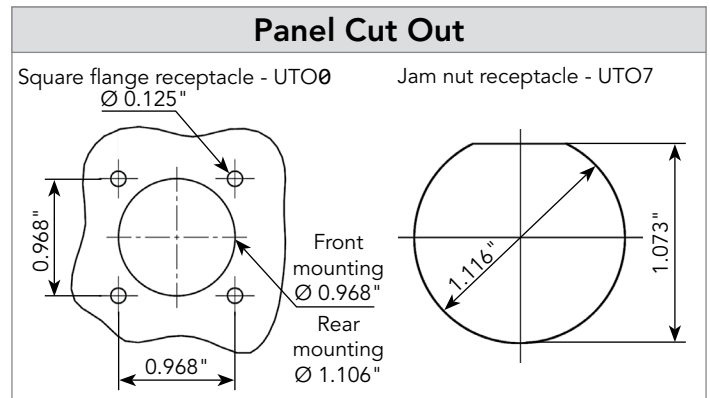
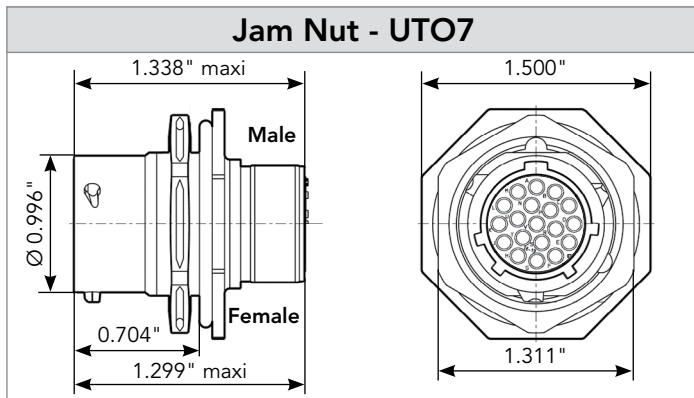
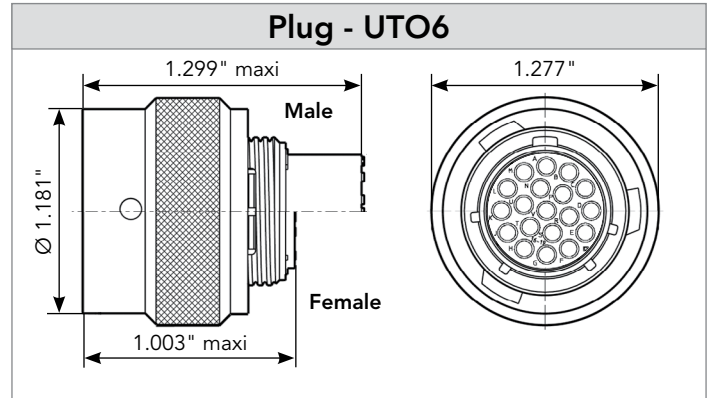
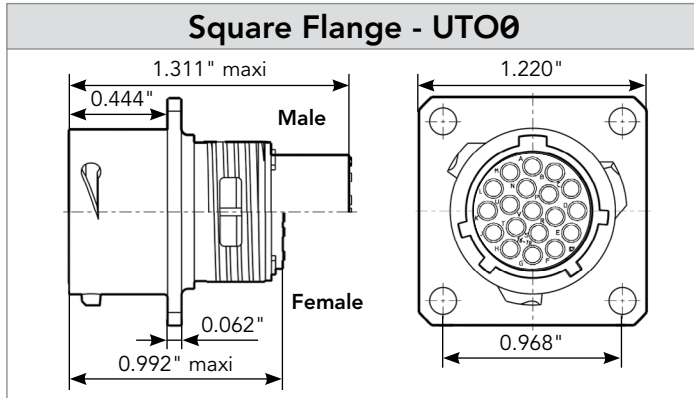
* Other discrimination keying option, see page 180

Backshells

Backshell type	Shielding	Cable range (Ø inch) min/max	Part number	
			Short version	Long version
Short cable gland with strain relief nut for water protected applications (IP68 & IP69K) (Fig.1)	-	0.374"/0.551"	UT016JCS	UT016JC
Short cable gland with large strain relief nut for water protected applications (IP68 & IP69K) (Fig.2)	-	0.452"/0.708"	UT016JCSL	UT016JCL
Short shielded cable gland with strain relief nut for water protected applications (IP68 & IP69K) (Fig.3)	✓	0.393"/0.570"	UT0S16JCS	UT0S16JC
Short shielded cable gland with large strain relief nut for water protected applications (IP68 & IP69K) (Fig.4)	✓	0.531"/0.708"	UT0S16JCSL	UT0S16JCL
Metal cable clamp with strain relief (Fig.5)	-	0.511"	UT016AC	
Metal shrink boot adaptor (Fig.6)	-	-	UT016AD	
Metal right angle cable clamp with strain relief nut (Fig.7)	-	0.255"/0.629"	UT016LPGN	
Shielded cable clamp with plastic strain relief nut (Fig.8)	✓	0.255"/0.629"	UT0S16JCPGN	
Cable clamp with plastic strain relief nut (Fig.8)	-	0.255"/0.629"	UT016JCPGN	

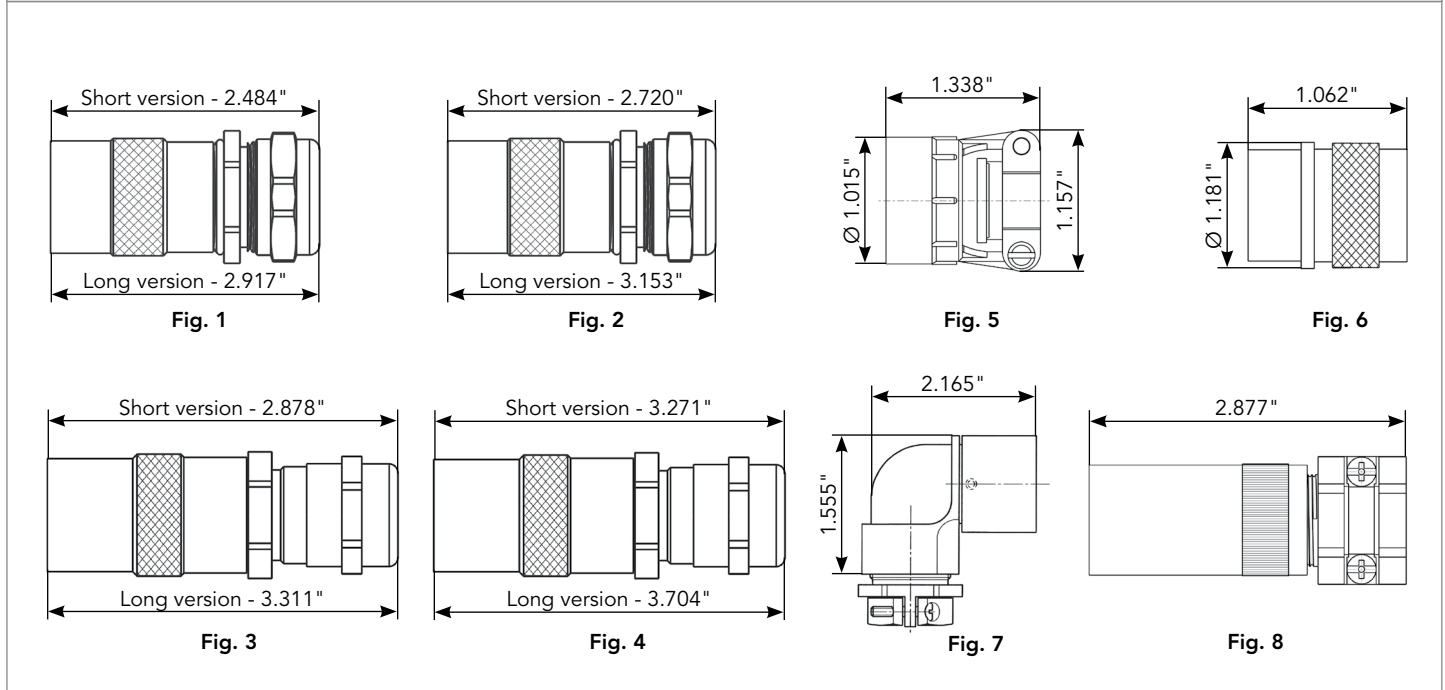
1619 (Shell size 16, 19x#16)

Dimensions



19

Backshells (for Mated Connector Length: See Page 153)



Note: all dimensions are in inches

1619 (Shell size 16, 19x#16)

Accessories and Tooling

Dustcap (Receptacle)



Part number
UT016DCG*

Dustcap (Plug)



Part number
UTG616DCG*

Handle (without Head)




Part number
SHANDLES

Tool Kit



Part number
TOOLKIT

Gasket



Part number / Neoprene
UTFD15B

Dummy Contact #16



Part number / Polyamide 6.6
SMSPK00

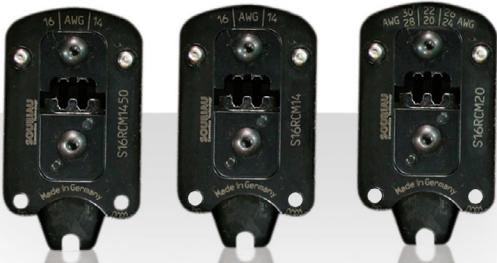
See page 180 for more information

Extraction Tool #16



Part number
RX2025GE1

Crimp Tooling (without Shandles)



Contacts	Contact size	Part number of head	
RM/RC 28M1K ⁽¹⁾	Standard contacts #16 Ø 1.6mm	S16RCM20*	
RM/RC 24M9K ⁽¹⁾		S16RCM20*	
RM/RC 20M13K ⁽¹⁾		S16RCM20*	
RM/RC 20M12K ⁽¹⁾		S16RCM20*	
RM/RC 16M23K ⁽¹⁾		S16RCM16*	
RM/RC 14M30K ⁽¹⁾		S16RCM14*	
SM/SC 24ML1TK6 ⁽¹⁾		S16SCM20*	
SM/SC 20ML1TK6 ⁽¹⁾		S16SCM20*	
SM/SC 16ML1TK6 ⁽¹⁾		S16SCML1*	
SM/SC 14ML1TK6 ⁽¹⁾		S16SCML1*	
SM/SC 16ML11TK6 ⁽¹⁾		S16SCML11*	
RMDXK10D28K		Coaxial contacts	M10S1J with die set & stop bushing see page 172 to 174
RCDXK1D28K			
RM/RC DX60xxD28K			
RM/RC DXK10D28 + york090			
RM/RC DX60xxD28			

(1): Example of plating, for other plating options see page 129
* Heads to be used with handle PN: SHANDLES



* For dustcap without chain, skip "G", e.g. UT016DC

1619 (Shell size 16, 19x#16)

Contacts

#16	Contact type	AWG	Part number		Max wire Ø	Max insulator Ø
			Male	Female		
Crimp	Machined	30-28	RM28M1K ⁽¹⁾	RC28M1K ⁽¹⁾	0.021"	0.039"
		26-24	RM24M9K ⁽¹⁾	RC24M9K ⁽¹⁾	0.031"	0.062"
		22-20	RM20M13K ⁽¹⁾	RC20M13K ⁽¹⁾	0.045"	0.070"
		22-20	RM20M12K ⁽¹⁾	RC20M12K ⁽¹⁾	0.045"	0.086"
		20-16	RM16M23K ⁽¹⁾	RC16M23K ⁽¹⁾	0.070"	0.125"
		16-14	RM14M30K ⁽¹⁾	RC14M30K ⁽¹⁾	0.090"	0.125"
	Stamped & Formed reeled contacts See note (2) for loose piece	26-24	SM24M1TK6 ⁽¹⁾⁽²⁾	SC24M1TK6 ⁽¹⁾⁽²⁾	-	0.035"-0.062"
		22-20	SM20M1TK6 ⁽¹⁾⁽²⁾	SC20M1TK6 ⁽¹⁾⁽²⁾	-	0.047"-0.082"
		18-16	SM16M1TK6 ⁽¹⁾⁽²⁾	SC16M1TK6 ⁽¹⁾⁽²⁾	-	0.125"
		18-16	SM16M11TK6 ⁽¹⁾⁽²⁾	SC16M11TK6 ⁽¹⁾⁽²⁾	-	0.118"
14		SM14M1TK6 ⁽¹⁾⁽²⁾	SC14M1TK6 ⁽¹⁾⁽²⁾	-	0.125"	
PCB	Machined ⁽³⁾	-	RM20M12E8K ⁽¹⁾	RC20M12E84K ⁽¹⁾	-	-
Coaxial	Cable Multipiece	see pages 131, 168 to 174	RMDXK10D28	RCDXK1D28	-	-
	Cable Monocrimp		RMDX60xxD28	RCDX60xxD28	-	-
	Twisted pair Multipiece		RMDXK10D28 + york090	RCDXK1D28 + york090	-	-
	Twisted pair Monocrimp		RMDX60xxD28	RCDX60xxD28	-	-

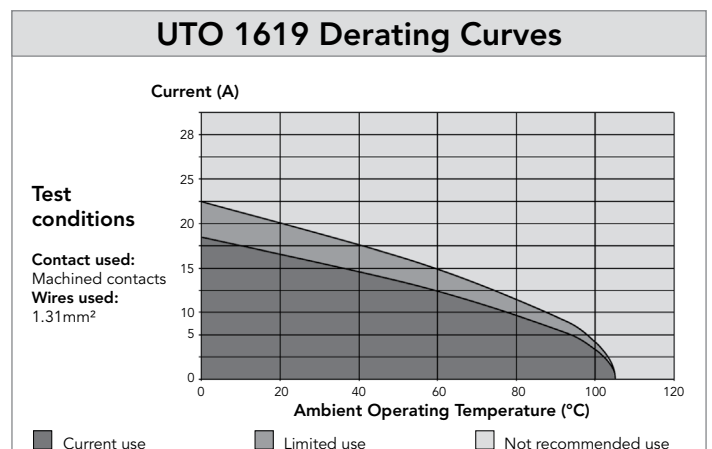
(1): Example of plating, for other plating options see page 129

(2): For loose piece contact packaging, place "L" in part number. Example: SM20ML1TK6

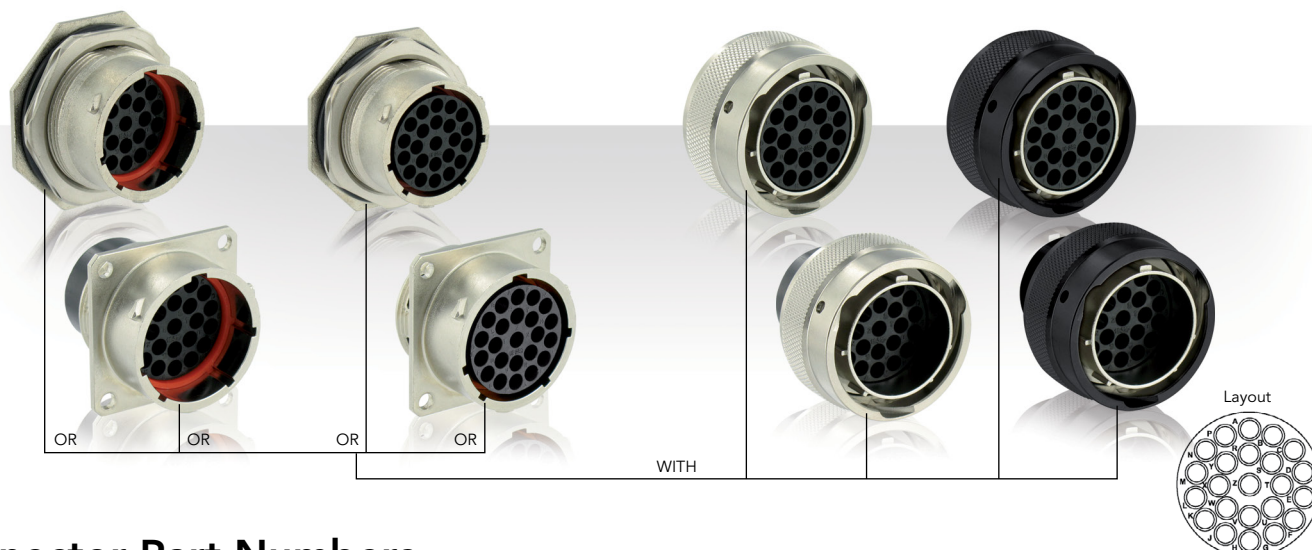
(3): For dimensions see page 132

Note: all dimensions are in inches

Electrical Characteristics
<p>UL 9A 500V UL94 V-0</p> <p>CSA 6A 500V UL94 V-0</p> <p>IEC 9A 150V 2.5kV 3</p>



1823 (Shell size 18, 23x#16)



Connector Part Numbers

Drilling pattern see page 177

Contact type	Connector type	Sealing	Salt spray	Part number*	
				Male insert	Female insert
Contacts supplied separately see page 83	Square flange receptacle	IP67	96h	UT001823PH	UT001823SH
		IP68 & IP69K	96h	UT001823PH6	UT001823SH6
	Plug	IP67, IP68 & IP69K	48h	UT061823PH	UT061823SH
		IP67, IP68 & IP69K	96h	UT061823PH02 (Black)	UT061823SH02 (Black)
	Jam nut receptacle	IP67	48h	UT071823PH	UT071823SH
		IP68 & IP69K	48h	UT071823PH6	UT071823SH6
		IP67	96h	UT071823PH01	UT071823SH01
		IP68 & IP69K	96h	UT071823PH601	UT071823SH601

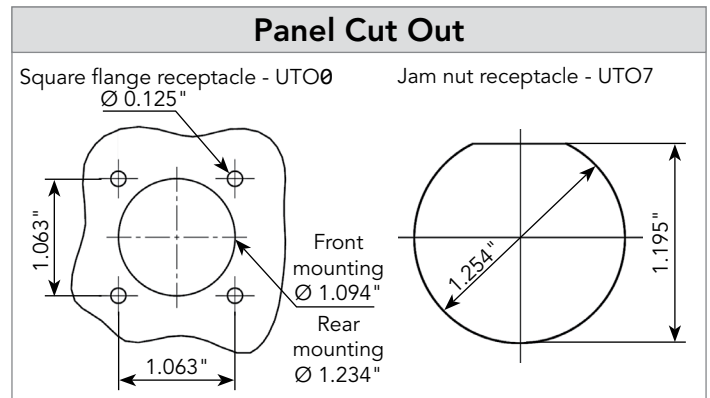
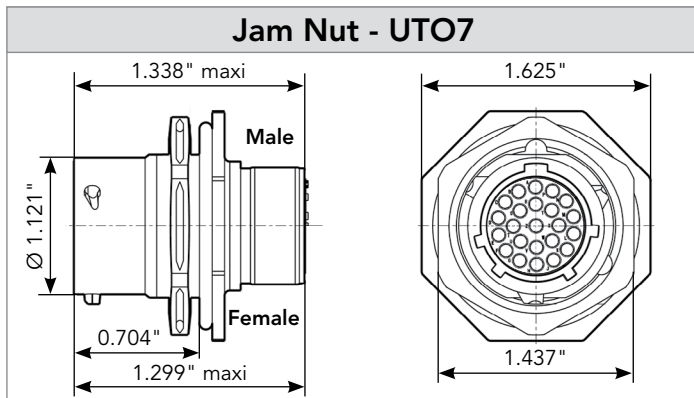
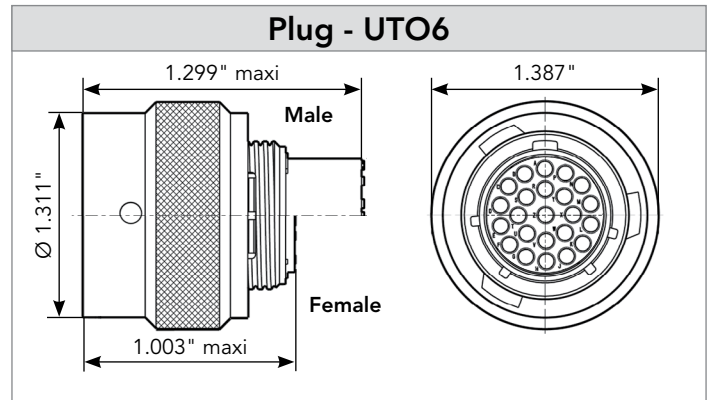
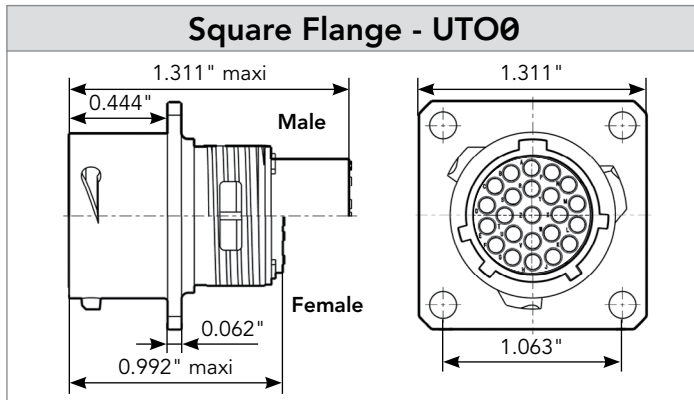
* Other discrimination keying option, see page 180

Backshells

Backshell type	Shielding	Cable range (Ø inch) min/max	Part number	
			Short version	Long version
Short cable gland with strain relief nut for water protected applications (IP68 & IP69K) (Fig.1)	-	0.374"/0.551"	UT018JCS	UT018JC
Short cable gland with large strain relief nut for water protected applications (IP68 & IP69K) (Fig.2)	-	0.452"/0.708"	UT018JCSL	UT018JCL
Short shielded cable gland with strain relief nut for water protected applications (IP68 & IP69K) (Fig.3)	✓	0.393"/0.570"	UT0S18JCS	UT0S18JC
Short shielded cable gland with large strain relief nut for water protected applications (IP68 & IP69K) (Fig.4)	✓	0.531"/0.708"	UT0S18JCSL	UT0S18JCL
Metal cable clamp with strain relief (Fig.5)	-	0.629"	UT018AC	
Metal shrink boot adaptor (Fig.6)	-	-	UT018AD	
Metal right angle cable clamp with strain relief nut (Fig.7)	-	0.354"/0.826"	UT018LPGN	
Shielded cable clamp with plastic strain relief nut (Fig.8)	✓	0.255"/0.629"	UT0S18JCPGN	
Cable clamp with plastic strain relief nut (Fig.8)	-	0.255"/0.629"	UT018JCPGN	

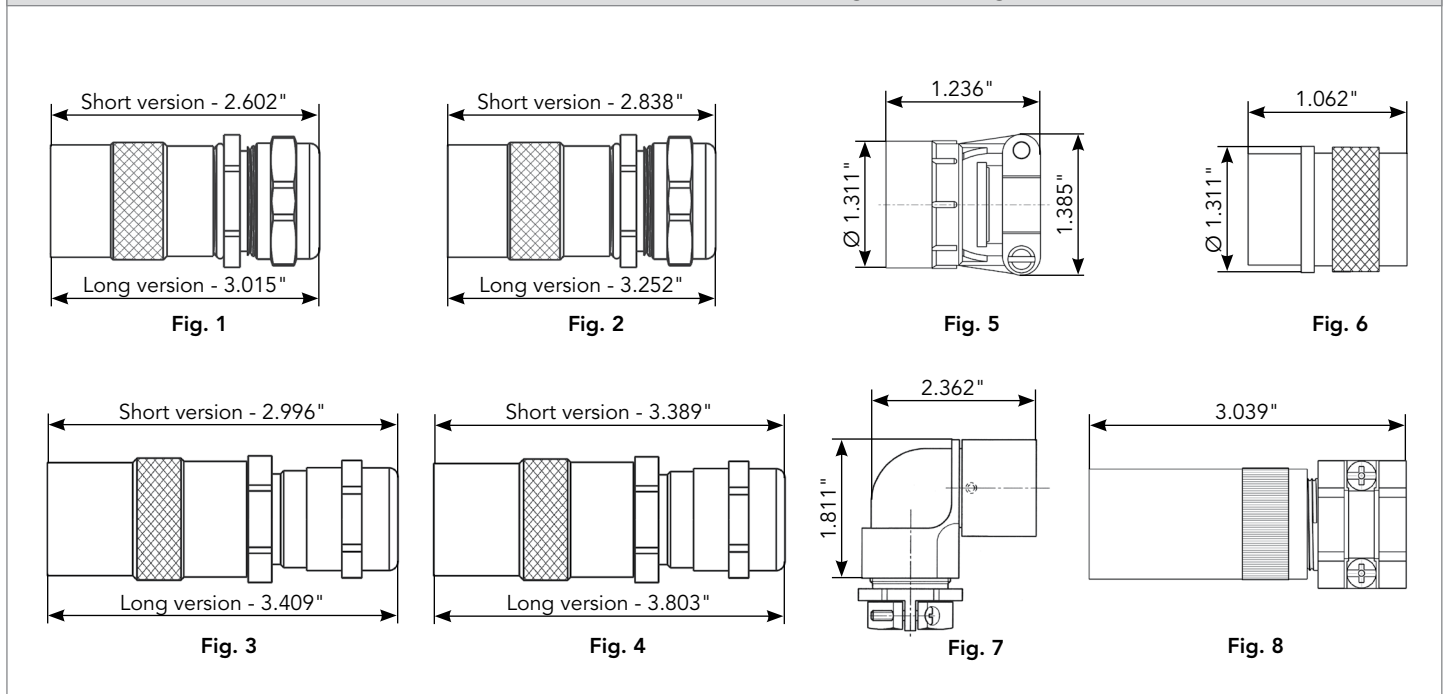
1823 (Shell size 18, 23x#16)

Dimensions



23

Backshells (for Mated Connector Length: See Page 153)



Note: all dimensions are in inches

1823 (Shell size 18, 23x#16)

Accessories and Tooling

Dustcap (Receptacle)



Part number
UT018DCG*

Dustcap (Plug)




Part number
UTG618DCG*

Handle (without Head)




Part number
SHANDLES

Tool Kit



Part number
TOOLKIT

Gasket



Part number / Neoprene
UTFD16B

Dummy Contact #16



Part number / Polyamide 6.6
SMSPK00


See page 180 for more information

Extraction Tool #16



Part number
RX2025GE1

Crimp Tooling (without Shandles)



Contacts	Contact size	Part number of head	
RM/RC 28M1K ⁽¹⁾	Standard contacts #16 Ø 1.6mm	S16RCM20*	
RM/RC 24M9K ⁽¹⁾		S16RCM20*	
RM/RC 20M13K ⁽¹⁾		S16RCM20*	
RM/RC 20M12K ⁽¹⁾		S16RCM20*	
RM/RC 16M23K ⁽¹⁾		S16RCM16*	
RM/RC 14M30K ⁽¹⁾		S16RCM14*	
SM/SC 24ML1TK6 ⁽¹⁾		S16SCM20*	
SM/SC 20ML1TK6 ⁽¹⁾		S16SCM20*	
SM/SC 16ML1TK6 ⁽¹⁾		S16SCML1*	
SM/SC 14ML1TK6 ⁽¹⁾		S16SCML1*	
SM/SC 16ML11TK6 ⁽¹⁾		S16SCML11*	
RMDXK10D28K		Coaxial contacts	M10S1J with die set & stop bushing see page 172 to 174
RCDXK1D28K			
RM/RC DX60xxD28K			
RM/RC DXK10D28 + york090			
RM/RC DX60xxD28			

(1): Example of plating, for other plating options see page 129
* Heads to be used with handle PN: SHANDLES



* For dustcap without chain, skip "G", e.g. UT018DC

1823 (Shell size 18, 23x#16)

Contacts

#16	Contact type	AWG	Part number		Max wire Ø	Max insulator Ø
			Male	Female		
Crimp	Machined	30-28	RM28M1K ⁽¹⁾	RC28M1K ⁽¹⁾	0.021"	0.039"
		26-24	RM24M9K ⁽¹⁾	RC24M9K ⁽¹⁾	0.031"	0.062"
		22-20	RM20M13K ⁽¹⁾	RC20M13K ⁽¹⁾	0.045"	0.070"
		22-20	RM20M12K ⁽¹⁾	RC20M12K ⁽¹⁾	0.045"	0.086"
		20-16	RM16M23K ⁽¹⁾	RC16M23K ⁽¹⁾	0.070"	0.125"
		16-14	RM14M30K ⁽¹⁾	RC14M30K ⁽¹⁾	0.090"	0.125"
	Stamped & Formed reeled contacts See note (2) for loose piece	26-24	SM24M1TK6 ⁽¹⁾⁽²⁾	SC24M1TK6 ⁽¹⁾⁽²⁾	-	0.035"-0.062"
		22-20	SM20M1TK6 ⁽¹⁾⁽²⁾	SC20M1TK6 ⁽¹⁾⁽²⁾	-	0.047"-0.082"
		18-16	SM16M1TK6 ⁽¹⁾⁽²⁾	SC16M1TK6 ⁽¹⁾⁽²⁾	-	0.125"
		18-16	SM16M11TK6 ⁽¹⁾⁽²⁾	SC16M11TK6 ⁽¹⁾⁽²⁾	-	0.118"
14		SM14M1TK6 ⁽¹⁾⁽²⁾	SC14M1TK6 ⁽¹⁾⁽²⁾	-	0.125"	
PCB	Machined ⁽³⁾	-	RM20M12E8K ⁽¹⁾	RC20M12E84K ⁽¹⁾	-	-
Coaxial	Cable Multipiece	see pages 131, 168 to 174	RMDXK10D28	RCDXK1D28	-	-
	Cable Monocrimp		RMDX60xxD28	RCDX60xxD28	-	-
	Twisted pair Multipiece		RMDXK10D28 + york090	RCDXK1D28 + york090	-	-
	Twisted pair Monocrimp		RMDX60xxD28	RCDX60xxD28	-	-

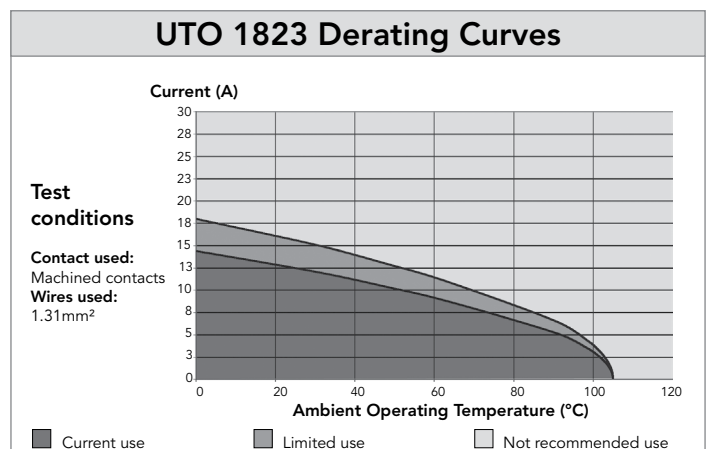
(1): Example of plating, for other plating options see page 129

(2): For loose piece contact packaging, place "L" in part number. Example: SM20ML1TK6

(3): For dimensions see page 132

Note: all dimensions are in inches

Electrical Characteristics
<p>UL 8A 500V UL94 V-0</p> <p>CSA 7A 500V UL94 V-0</p> <p>IEC 8A 150V 2.5kV 3</p>



1626 (Shell size 16, 26x#20)



Connector Part Numbers

Drilling pattern see page 177

Contact type	Connector type	Sealing	Salt spray	Part number*	
				Male insert	Female insert
Contacts supplied separately see page 87	Square flange receptacle	IP67	96h	UT0W01626PH	UT0W01626SH
		IP68 & IP69K	96h	UT0W01626PH6	UT0W01626SH6
	Plug	IP67, IP68 & IP69K	48h	UT0W61626PH	UT0W61626SH
		IP67, IP68 & IP69K	96h	UT0W61626PH02_(Black)	UT0W61626SH02_(Black)
	Jam nut receptacle	IP67	48h	UT0W71626PH	UT0W71626SH
			48h	UT0W71626PH6	UT0W71626SH6
		IP68 & IP69K	48h	UT0W71626PH6	UT0W71626SH6
		96h	UT0W71626PH01	UT0W71626SH01	
		IP68 & IP69K	96h	UT0W71626PH601	UT0W71626SH601

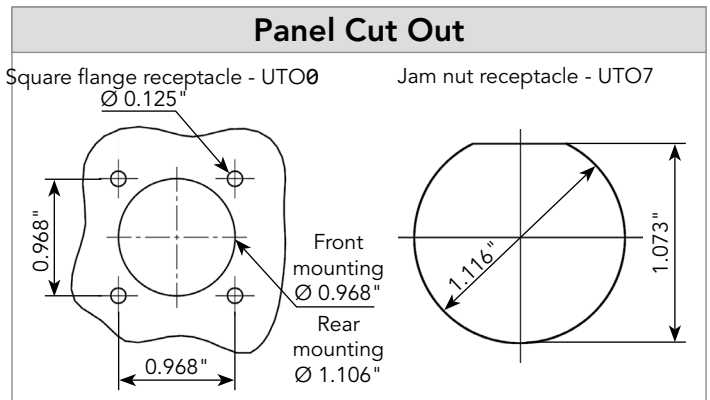
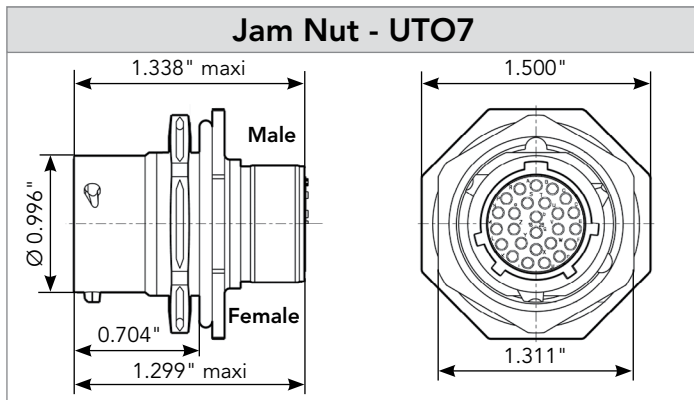
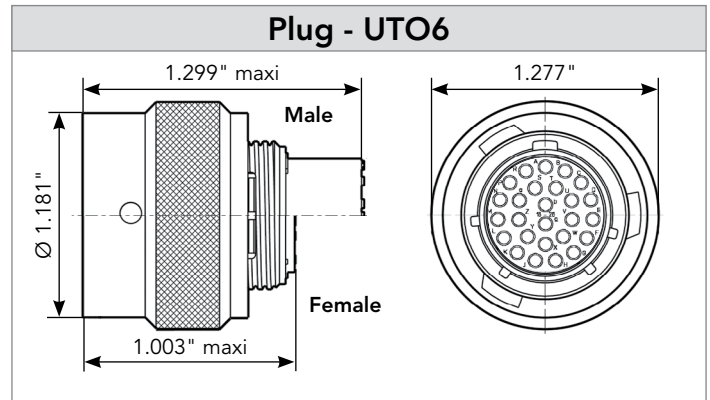
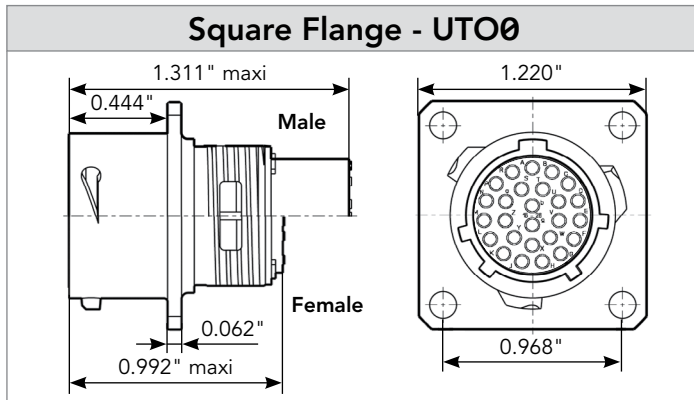
* Other discrimination keying option, see page 180

Backshells

Backshell type	Shielding	Cable range (Ø inch) min/max	Part number	
			Short version	Long version
Short cable gland with strain relief nut for water protected applications (IP68 & IP69K) (Fig.1)	-	0.374"/0.551"	UT016JCS	UT016JC
Short cable gland with large strain relief nut for water protected applications (IP68 & IP69K) (Fig.2)	-	0.452"/0.708"	UT016JCSL	UT016JCL
Short shielded cable gland with strain relief nut for water protected applications (IP68 & IP69K) (Fig.3)	✓	0.393"/0.570"	UT0S16JCS	UT0S16JC
Short shielded cable gland with large strain relief nut for water protected applications (IP68 & IP69K) (Fig.4)	✓	0.531"/0.708"	UT0S16JCSL	UT0S16JCL
Metal cable clamp with strain relief (Fig.5)	-	0.511"	UT016AC	
Metal shrink boot adaptor (Fig.6)	-	-	UT016AD	
Metal right angle cable clamp with strain relief nut (Fig.7)	-	0.255"/0.629"	UT016LPGN	
Shielded cable clamp with plastic strain relief nut (Fig.8)	✓	0.255"/0.629"	UT0S16JCPGN	
Cable clamp with plastic strain relief nut (Fig.8)	-	0.255"/0.629"	UT016JCPGN	

1626 (Shell size 16, 26x#20)

Dimensions



26

Backshells (for Mated Connector Length: See Page 153)

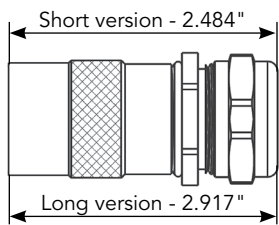


Fig. 1

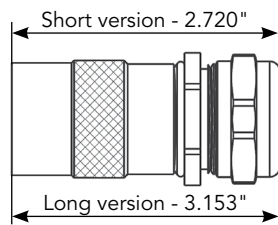


Fig. 2

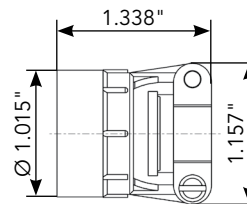


Fig. 5

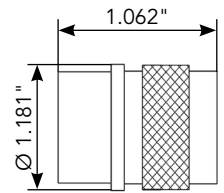


Fig. 6

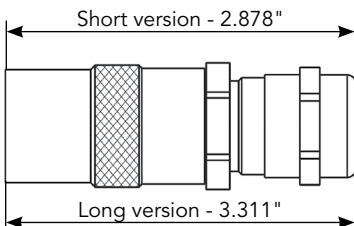


Fig. 3

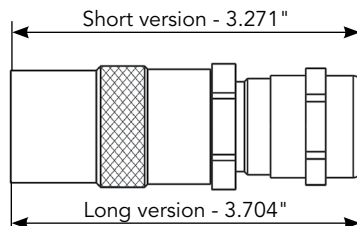


Fig. 4

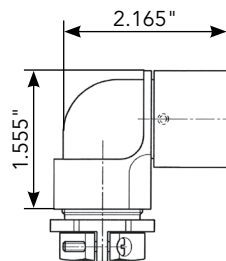


Fig. 7

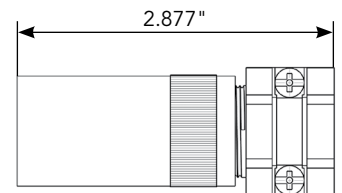


Fig. 8

Note: all dimensions are in inches

1626 (Shell size 16, 26x#20)

Accessories and Tooling

Dustcap (Receptacle)



Part number
UT016DCG*

Dustcap (Plug)



Part number
UTG616DCG*

Handle (without Head)




Part number
SHANDLES

Tool Kit



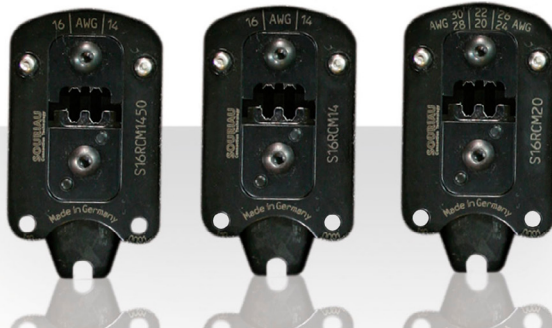
Part number
TOOLKIT

Gasket



Part number / Neoprene
UTFD15B

Crimp Tooling (without Shandles)



Contacts	Contact size	Part number of head
RM/RC 24W3K ⁽¹⁾	Standard contacts #20 Ø 1mm	S20RCM*
RM/RC 20W3K ⁽¹⁾		S20RCM*
RM/RC 18W3K ⁽¹⁾		S20RCM*
SM/SC 24WL3 ⁽¹⁾⁽²⁾		S20SCM20*
SM/SC 20WL3 ⁽¹⁾⁽²⁾		S20SCM20*

(1): Example of plating, for other plating options see page 129
 (2): loose contact
 * Heads to be used with handle PN: SHANDLES



Extraction Tool #20



Part number
RX20D44

* For dustcap without chain, skip "G", e.g. UT016DC

1626 (Shell size 16, 26x#20)

Contacts

#20	Contact type	AWG	Part number		Max wire Ø	Max insulator Ø
			Male	Female		
Crimp	Machined	26-24	RM24W3K	RC24W3K	0.031"	0.062"
		22-20	RM20W3K	RC20W3K	0.045"	0.062"
		20-18	RM18W3K	RC18W3K	0.051"	0.082"
	Stamped & Formed reeled contacts <small>See note (2) for loose piece</small>	26-24	SM24W3TK6 ⁽¹⁾⁽²⁾	SC24W3TK6 ⁽¹⁾⁽²⁾	-	0.035"-0.062"
		26-24	SM24W3S26 ⁽¹⁾⁽²⁾	SC24W3S25 ⁽¹⁾⁽²⁾	-	0.035"-0.062"
		22-20	SM20W3TK6 ⁽¹⁾⁽²⁾	SC20W3TK6 ⁽¹⁾⁽²⁾	-	0.047"-0.082"
		22-20	SM20W3S26 ⁽¹⁾⁽²⁾	SC20W3S25 ⁽¹⁾⁽²⁾	-	0.047"-0.082"
	PCB	Machined ⁽³⁾	-	RMW5016K	RCW5016K	-

(1): Example of plating, for other plating options see page 129
 (2): For loose piece contact packaging, place "L" in part number. Example: SM20WL3TK6
 (3): For dimensions see page 132

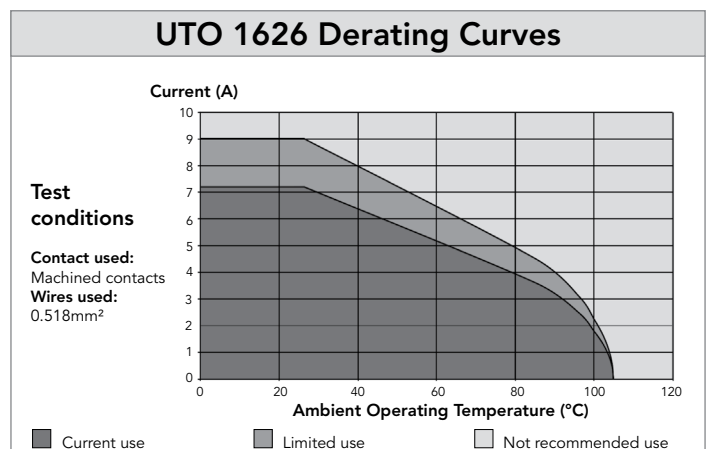
Note: all dimensions are in inches

Electrical Characteristics

UL
4A 250V UL94 V-0

CSA
3A 250V UL94 V-0

IEC
4A 40V 1.5kV 3



2028 (Shell size 20, 28x#16)



Connector Part Numbers

Drilling pattern see page 178

Contact type	Connector type	Sealing	Salt spray	Part number*	
				Male insert	Female insert
Contacts supplied separately see page 91	Square flange receptacle	IP67	96h	UT002028PH	UT002028SH
		IP68 & IP69K	96h	UT002028PH6	UT002028SH6
	Plug	IP67, IP68 & IP69K	48h	UT062028PH	UT062028SH
		IP67, IP68 & IP69K	96h	UT062028PH02 (Black)	UT062028SH02 (Black)
	Jam nut receptacle	IP67	48h	UT072028PH	UT072028SH
			48h	UT072028PH6	UT072028SH6
		IP68 & IP69K	96h	UT072028PH01	UT072028SH01
			96h	UT072028PH601	UT072028SH601

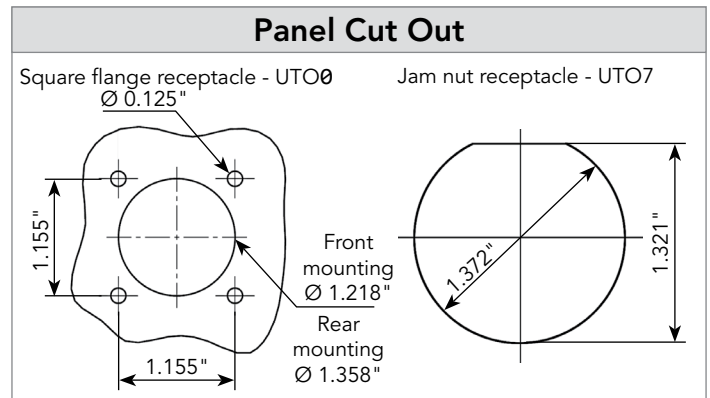
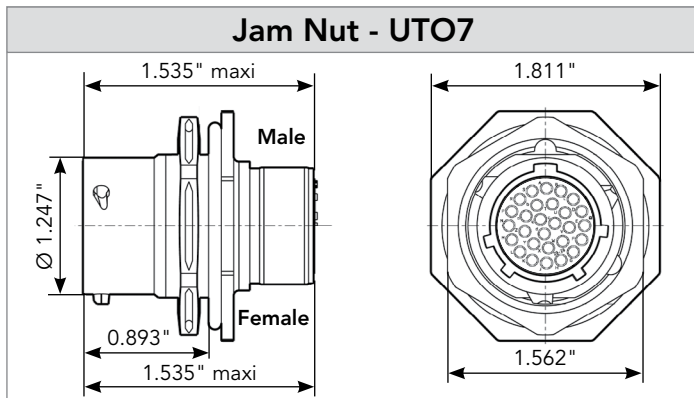
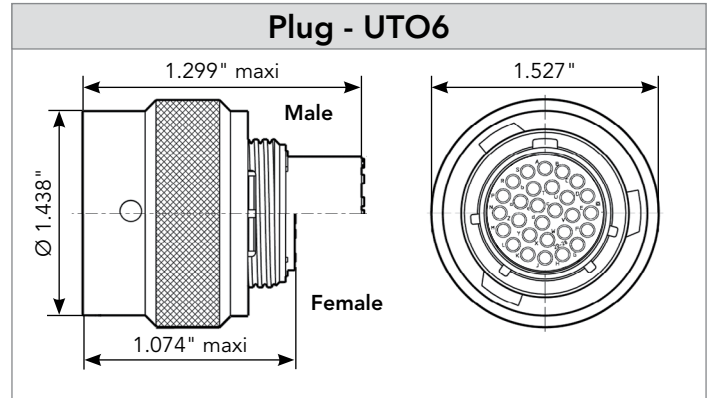
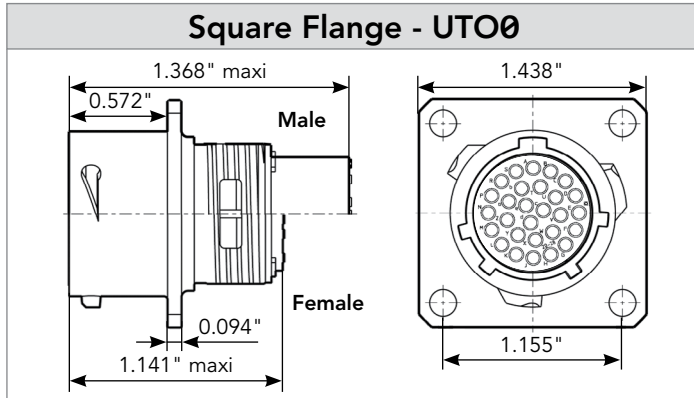
* Other discrimination keying option, see page 180

Backshells

Backshell type	Shielding	Cable range (Ø inch) min/max	Part number	
			Short version	Long version
Cable gland with strain relief nut for water protected applications (IP68 & IP69K) (Fig.1)	-	0.452"/0.708"	UT020JCS	UT020JC
Cable gland with large strain relief nut for water protected applications (IP68 & IP69K) (Fig.2)	-	0.590"/0.944"	UT020JCSL	UT020JCL
Shielded cable gland with strain relief nut for water protected applications (IP68 & IP69K) (Fig.3)	✓	0.531"/0.708"	UT0S20JCS	UT0S20JC
Shielded cable gland with large strain relief nut for water protected applications (IP68 & IP69K) (Fig.4)	✓	0.669"/0.944"	UT0S20JCSL	UT0S20JCL
Metal cable clamp with strain relief (Fig.5)	-	0.629"	UT020AC	
Metal shrink boot adaptor (Fig.6)	-	-	UT020AD	
Metal right angle cable clamp with strain relief nut (Fig.7)	-	0.354"/0.826"	UT020LPGN	
Shielded cable clamp with plastic strain relief nut (Fig.8)	✓	0.354"/0.826"	UT0S20JCPGN	
Cable clamp with plastic strain relief nut (Fig.8)	-	0.354"/0.826"	UT020JCPGN	

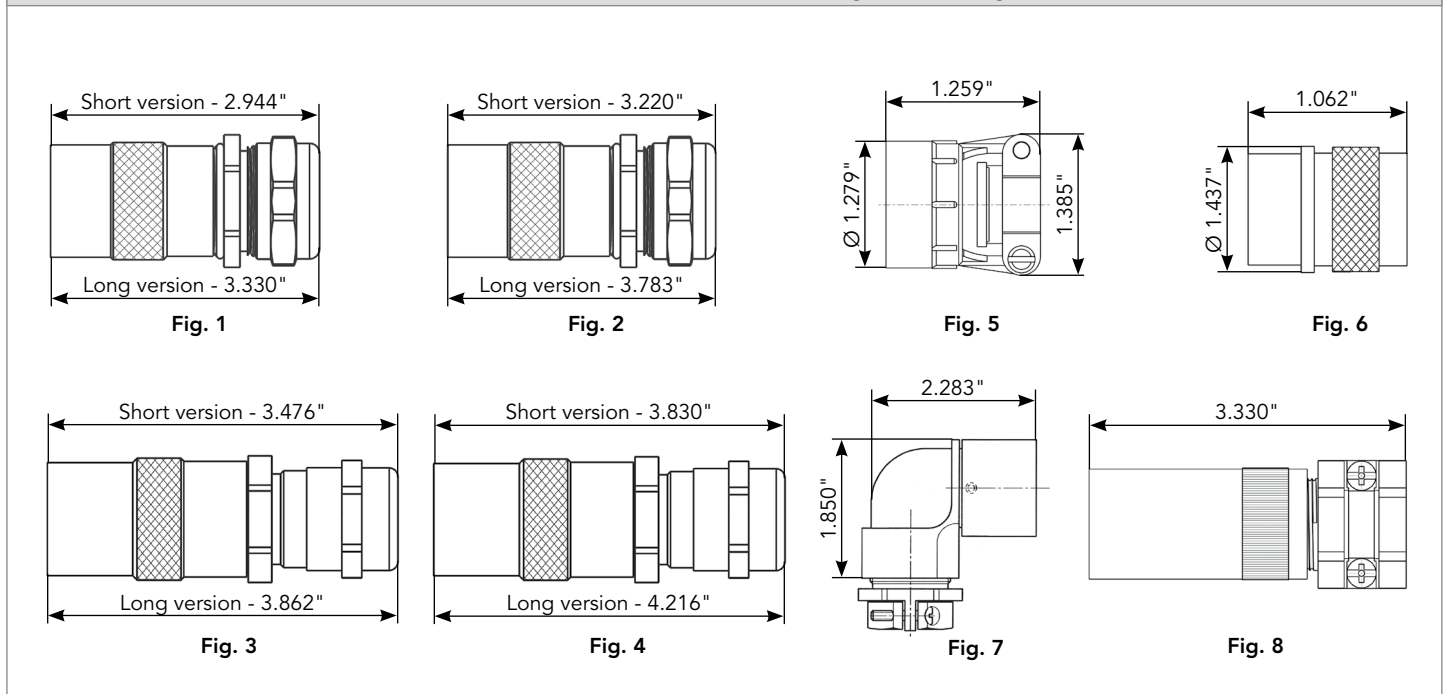
2028 (Shell size 20, 28x#16)

Dimensions



28

Backshells (for Mated Connector Length: See Page 153)



Note: all dimensions are in inches

2028 (Shell size 20, 28x#16)

Accessories and Tooling

Dustcap (Receptacle)



Part number
UT020DCG*

Dustcap (Plug)



Part number
UTG620DCG*

Handle (without Head)




Part number
SHANDLES

Tool Kit



Part number
TOOLKIT

Gasket



Part number / Neoprene
UTFD17B

Dummy Contact #16



Part number / Polyamide 6.6
SMPK00


See page 180 for more information

Extraction Tool #16



Part number
RX2025GE1

Crimp Tooling (without Shandles)



Contacts	Contact size	Part number of head	
RM/RC 28M1K ⁽¹⁾	Standard contacts #16 Ø 1.6mm	S16RCM20*	
RM/RC 24M9K ⁽¹⁾		S16RCM20*	
RM/RC 20M13K ⁽¹⁾		S16RCM20*	
RM/RC 20M12K ⁽¹⁾		S16RCM20*	
RM/RC 16M23K ⁽¹⁾		S16RCM16*	
RM/RC 14M30K ⁽¹⁾		S16RCM14*	
SM/SC 24ML1TK6 ⁽¹⁾		S16SCM20*	
SM/SC 20ML1TK6 ⁽¹⁾		S16SCM20*	
SM/SC 16ML1TK6 ⁽¹⁾		S16SCML1*	
SM/SC 14ML1TK6 ⁽¹⁾		S16SCML1*	
SM/SC 16ML11TK6 ⁽¹⁾		S16SCML11*	
RMDXK10D28K		Coaxial contacts	M10S1J with die set & stop bushing see page 172 to 174
RCDXK1D28K			
RM/RC DX60xxD28K			
RM/RC DXK10D28 + york090			
RM/RC DX60xxD28			

(1): Example of plating, for other plating options see page 129
* Heads to be used with handle PN: SHANDLES



* For dustcap without chain, skip "G", e.g. UT028DC

2028 (Shell size 20, 28x#16)

Contacts

#16	Contact type	AWG	Part number		Max wire Ø	Max insulator Ø
			Male	Female		
Crimp	Machined	30-28	RM28M1K ⁽¹⁾	RC28M1K ⁽¹⁾	0.021"	0.039"
		26-24	RM24M9K ⁽¹⁾	RC24M9K ⁽¹⁾	0.031"	0.062"
		22-20	RM20M13K ⁽¹⁾	RC20M13K ⁽¹⁾	0.045"	0.070"
		22-20	RM20M12K ⁽¹⁾	RC20M12K ⁽¹⁾	0.045"	0.086"
		20-16	RM16M23K ⁽¹⁾	RC16M23K ⁽¹⁾	0.070"	0.125"
		16-14	RM14M30K ⁽¹⁾	RC14M30K ⁽¹⁾	0.090"	0.125"
	Stamped & Formed reeled contacts See note (2) for loose piece	26-24	SM24M1TK6 ⁽¹⁾⁽²⁾	SC24M1TK6 ⁽¹⁾⁽²⁾	-	0.035"-0.062"
		22-20	SM20M1TK6 ⁽¹⁾⁽²⁾	SC20M1TK6 ⁽¹⁾⁽²⁾	-	0.047"-0.082"
		18-16	SM16M1TK6 ⁽¹⁾⁽²⁾	SC16M1TK6 ⁽¹⁾⁽²⁾	-	0.125"
		18-16	SM16M11TK6 ⁽¹⁾⁽²⁾	SC16M11TK6 ⁽¹⁾⁽²⁾	-	0.118"
14		SM14M1TK6 ⁽¹⁾⁽²⁾	SC14M1TK6 ⁽¹⁾⁽²⁾	-	0.125"	
PCB	Machined ⁽³⁾	-	RM20M12E8K ⁽¹⁾	RC20M12E84K ⁽¹⁾	-	-
Coaxial	Cable Multipiece	see pages 131, 168 to 174	RMDXK10D28	RCDXK1D28	-	-
	Cable Monocrimp		RMDX60xxD28	RCDX60xxD28	-	-
	Twisted pair Multipiece		RMDXK10D28 + york090	RCDXK1D28 + york090	-	-
	Twisted pair Monocrimp		RMDX60xxD28	RCDX60xxD28	-	-

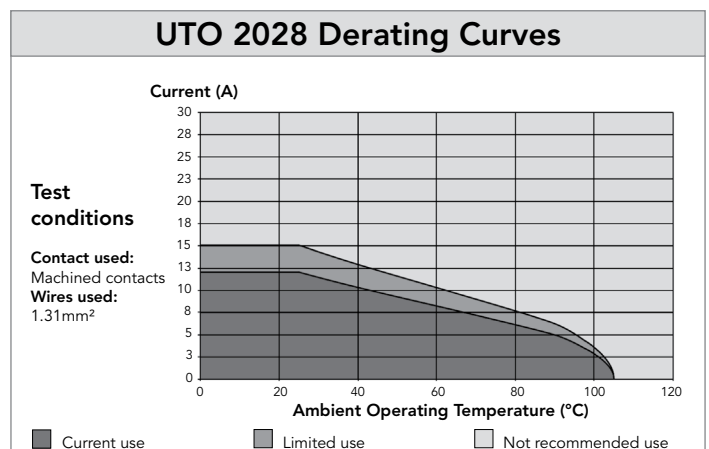
(1): Example of plating, for other plating options see page 129

(2): For loose piece contact packaging, place "L" in part number. Example: SM20ML1TK6

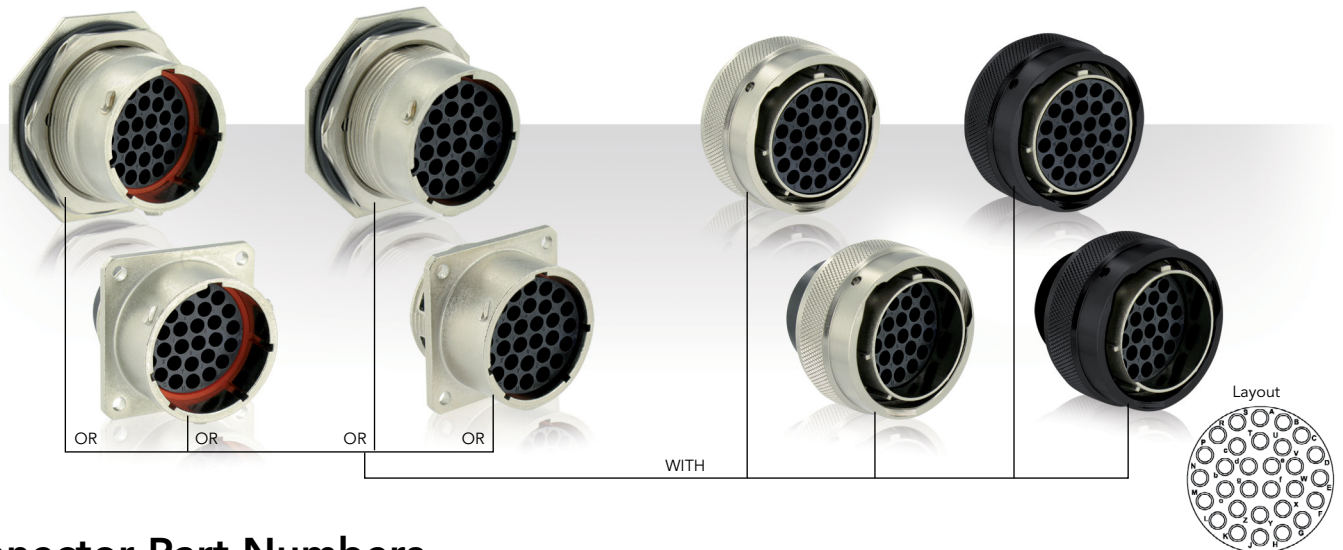
(3): For dimensions see page 132

Note: all dimensions are in inches

Electrical Characteristics
<p>UL 5A 500V UL94 V-0</p> <p>CSA 3A 500V UL94 V-0</p> <p>IEC 7A 150V 2.5kV 3</p>



2030 (Shell size 20, 30x#16)



Connector Part Numbers

Drilling pattern see page 178

Contact type	Connector type	Sealing	Salt spray	Part number*	
				Male insert	Female insert
Contacts supplied separately see page 95	Square flange receptacle	IP67	96h	UT002030PH	UT002030SH
		IP68 & IP69K	96h	UT002030PH6	UT002030SH6
	Plug	IP67, IP68 & IP69K	48h	UT062030PH	UT062030SH
		IP67, IP68 & IP69K	96h	UT062030PH02 (Black)	UT062030SH02 (Black)
	Jam nut receptacle	IP67	48h	UT072030PH	UT072030SH
			48h	UT072030PH6	UT072030SH6
		IP68 & IP69K	96h	UT072030PH01	UT072030SH01
			96h	UT072030PH601	UT072030SH601

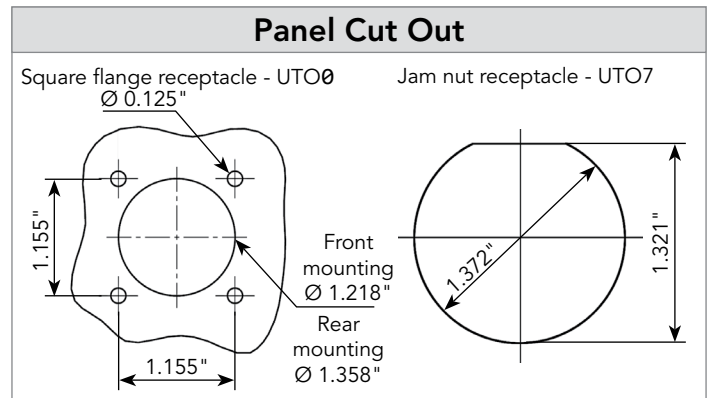
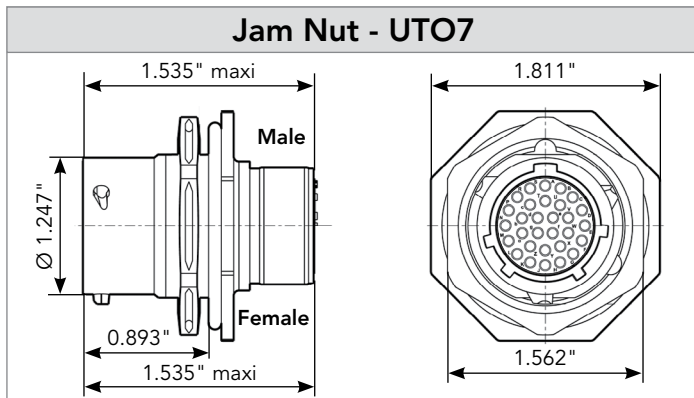
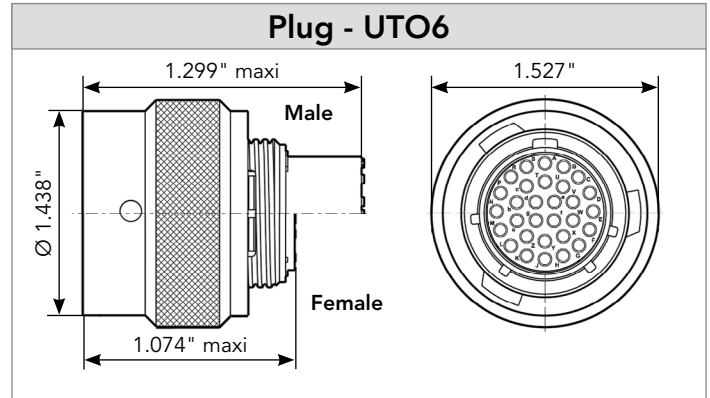
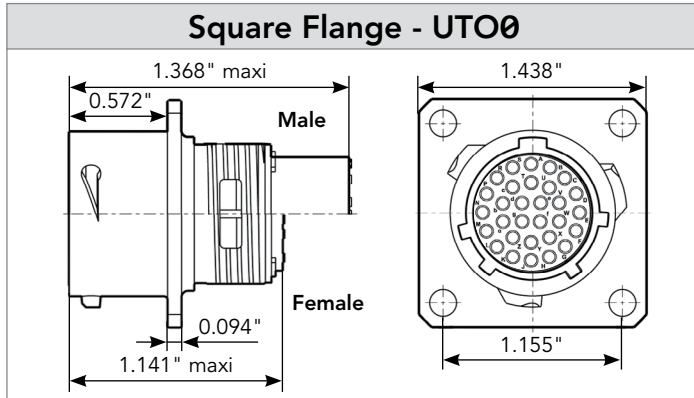
* Other possible discrimination, see page 180

Backshells

Backshell type	Shielding	Cable range (Ø inch) min/max	Part number	
			Short version	Long version
Cable gland with strain relief nut for water protected applications (IP68 & IP69K) (Fig.1)	-	0.452"/0.708"	UT020JCS	UT020JC
Cable gland with large strain relief nut for water protected applications (IP68 & IP69K) (Fig.2)	-	0.590"/0.944"	UT020JCSL	UT020JCL
Shielded cable gland with strain relief nut for water protected applications (IP68 & IP69K) (Fig.3)	✓	0.531"/0.708"	UT0S20JCS	UT0S20JC
Shielded cable gland with large strain relief nut for water protected applications (IP68 & IP69K) (Fig.4)	✓	0.669"/0.944"	UT0S20JCSL	UT0S20JCL
Metal cable clamp with strain relief (Fig.5)	-	0.629"	UT020AC	
Metal shrink boot adaptor (Fig.6)	-	-	UT020AD	
Metal right angle cable clamp with strain relief nut (Fig.7)	-	0.354"/0.826"	UT020LPGN	
Shielded cable clamp with plastic strain relief nut (Fig.8)	✓	0.354"/0.826"	UT0S20JCPGN	
Cable clamp with plastic strain relief nut (Fig.8)	-	0.354"/0.826"	UT020JCPGN	

2030 (Shell size 20, 30x#16)

Dimensions



Backshells (for Mated Connector Length: See Page 153)

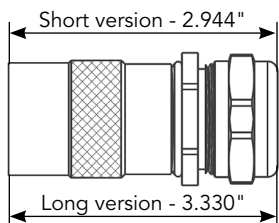


Fig. 1

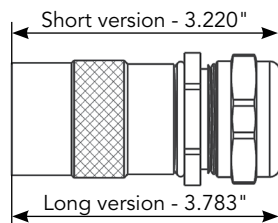


Fig. 2

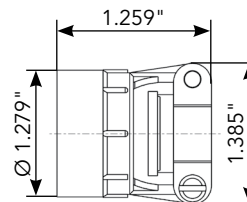


Fig. 5

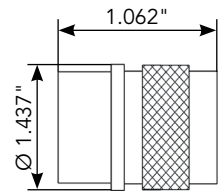


Fig. 6

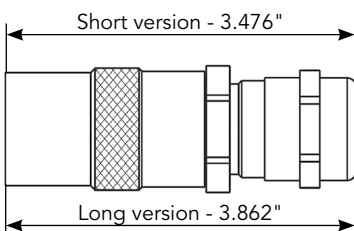


Fig. 3

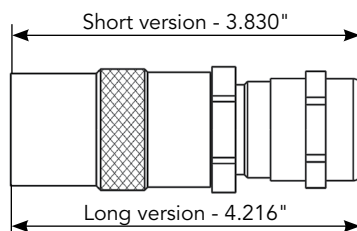


Fig. 4

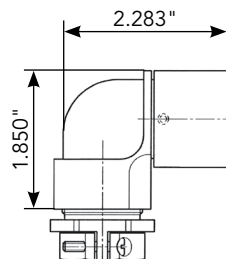


Fig. 7

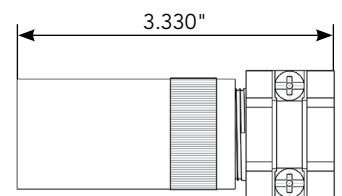


Fig. 8

Note: all dimensions are in inches

2030 (Shell size 20, 30x#16)

Accessories and Tooling

Dustcap (Receptacle)



Part number
UT020DCG*

Dustcap (Plug)



Part number
UTG620DCG*

Handle (without Head)




Part number
SHANDLES

Tool Kit



Part number
TOOLKIT

Gasket



Part number / Neoprene
UTFD17B

Dummy Contact #16



Part number / Polyamide 6.6
SMPK00


See page 180 for more information

Extraction Tool #16



Part number
RX2025GE1

Crimp Tooling (without Shandles)



Contacts	Contact size	Part number of head	
RM/RC 28M1K ⁽¹⁾	Standard contacts #16 Ø 1.6mm	S16RCM20*	
RM/RC 24M9K ⁽¹⁾		S16RCM20*	
RM/RC 20M13K ⁽¹⁾		S16RCM20*	
RM/RC 20M12K ⁽¹⁾		S16RCM20*	
RM/RC 16M23K ⁽¹⁾		S16RCM16*	
RM/RC 14M30K ⁽¹⁾		S16RCM14*	
SM/SC 24ML1TK6 ⁽¹⁾		S16SCM20*	
SM/SC 20ML1TK6 ⁽¹⁾		S16SCM20*	
SM/SC 16ML1TK6 ⁽¹⁾		S16SCML1*	
SM/SC 14ML1TK6 ⁽¹⁾		S16SCML1*	
SM/SC 16ML11TK6 ⁽¹⁾		S16SCML11*	
RMDXK10D28K		Coaxial contacts	M10S1J with die set & stop bushing see page 172 to 174
RCDXK1D28K			
RM/RC DX60xxD28K			
RM/RC DXK10D28 + york090			
RM/RC DX60xxD28			

(1): Example of plating, for other plating options see page 129
* Heads to be used with handle PN: SHANDLES



* For dustcap without chain, skip "G", e.g. UT028DC

2030 (Shell size 20, 30x#16)

Contacts

#16	Contact type	AWG	Part number		Max wire Ø	Max insulator Ø
			Male	Female		
Crimp	Machined	30-28	RM28M1K ⁽¹⁾	RC28M1K ⁽¹⁾	0.021"	0.039"
		26-24	RM24M9K ⁽¹⁾	RC24M9K ⁽¹⁾	0.031"	0.062"
		22-20	RM20M13K ⁽¹⁾	RC20M13K ⁽¹⁾	0.045"	0.070"
		22-20	RM20M12K ⁽¹⁾	RC20M12K ⁽¹⁾	0.045"	0.086"
		20-16	RM16M23K ⁽¹⁾	RC16M23K ⁽¹⁾	0.070"	0.125"
		16-14	RM14M30K ⁽¹⁾	RC14M30K ⁽¹⁾	0.090"	0.125"
	Stamped & Formed reeled contacts See note (2) for loose piece	26-24	SM24M1TK6 ⁽¹⁾⁽²⁾	SC24M1TK6 ⁽¹⁾⁽²⁾	-	0.035"-0.062"
		22-20	SM20M1TK6 ⁽¹⁾⁽²⁾	SC20M1TK6 ⁽¹⁾⁽²⁾	-	0.047"-0.082"
		18-16	SM16M1TK6 ⁽¹⁾⁽²⁾	SC16M1TK6 ⁽¹⁾⁽²⁾	-	0.125"
		18-16	SM16M11TK6 ⁽¹⁾⁽²⁾	SC16M11TK6 ⁽¹⁾⁽²⁾	-	0.118"
14		SM14M1TK6 ⁽¹⁾⁽²⁾	SC14M1TK6 ⁽¹⁾⁽²⁾	-	0.125"	
PCB	Machined ⁽³⁾	-	RM20M12E8K ⁽¹⁾	RC20M12E84K ⁽¹⁾	-	-
Coaxial	Cable Multipiece	see pages 131, 168 to 174	RMDXK10D28	RCDXK1D28	-	-
	Cable Monocrimp		RMDX60xxD28	RCDX60xxD28	-	-
	Twisted pair Multipiece		RMDXK10D28 + york090	RCDXK1D28 + york090	-	-
	Twisted pair Monocrimp		RMDX60xxD28	RCDX60xxD28	-	-

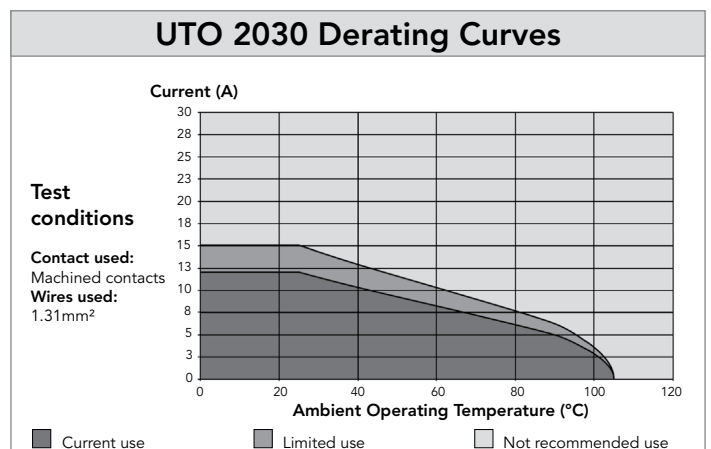
(1): Example of plating, for other plating options see page 129

(2): For loose piece contact packaging, place "L" in part number. Example: SM20ML1TK6

(3): For dimensions see page 132

Note: all dimensions are in inches

Electrical Characteristics
<p>UL 5A 500V UL94 V-0</p> <p>CSA 3A 500V UL94 V-0</p> <p>IEC 7A 150V 2.5kV 3</p>



1832 (Shell size 18, 32x#20)



Connector Part Numbers

Drilling pattern see page 177

Contact type	Connector type	Sealing	Salt spray	Part number*	
				Male insert	Female insert
Contacts supplied separately see page 99	Square flange receptacle	IP67	96h	UT0W01832PH	UT0W01832SH
		IP68 & IP69K	96h	UT0W01832PH6	UT0W01832SH6
	Plug	IP67, IP68 & IP69K	48h	UT0W61832PH	UT0W61832SH
		IP67, IP68 & IP69K	96h	UT0W61832PH02_(Black)	UT0W61832SH02_(Black)
	Jam nut receptacle	IP67	48h	UT0W71832PH	UT0W71832SH
			48h	UT0W71832PH6	UT0W71832SH6
		IP67	96h	UT0W71832PH01	UT0W71832SH01
		IP68 & IP69K	96h	UT0W71832PH601	UT0W71832SH601

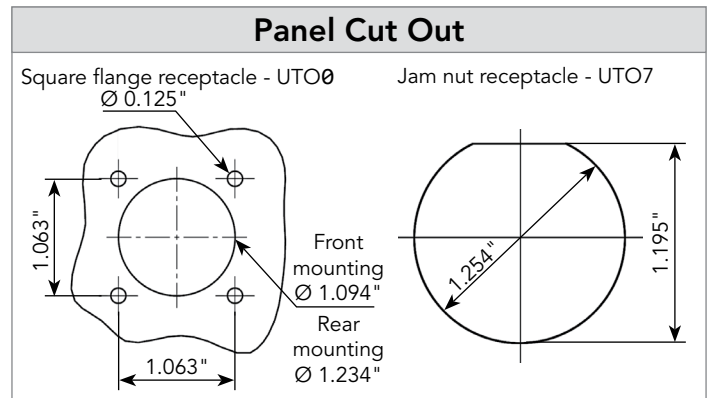
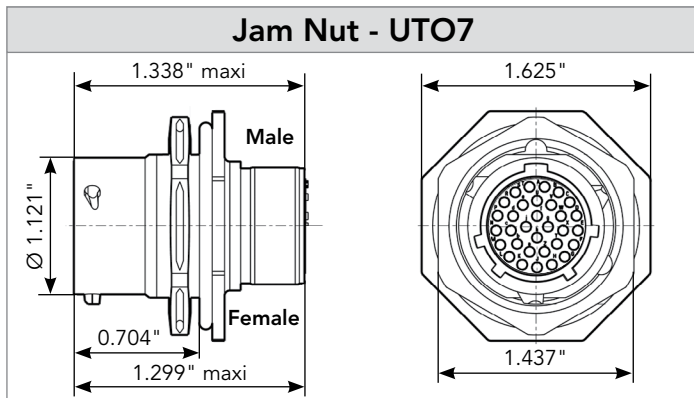
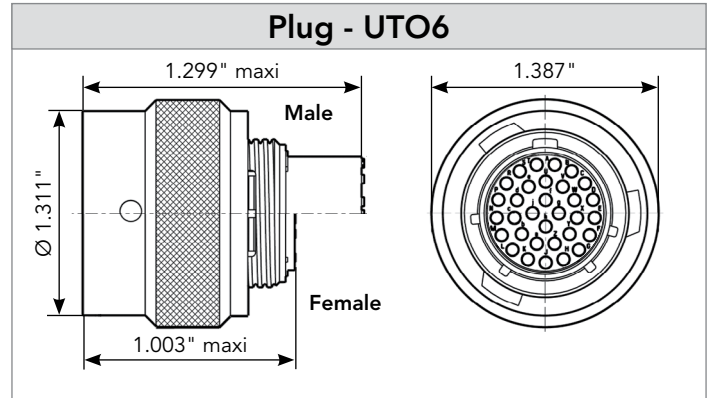
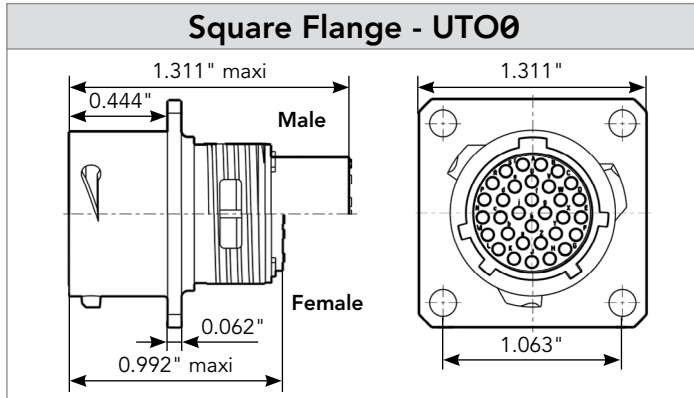
* Other discrimination keying option, see page 180

Backshells

Backshell type	Shielding	Cable range (Ø inch) min/max	Part number	
			Short version	Long version
Short cable gland with strain relief nut for water protected applications (IP68 & IP69K) (Fig.1)	-	0.374"/0.551"	UT018JCS	UT018JC
Short cable gland with large strain relief nut for water protected applications (IP68 & IP69K) (Fig.2)	-	0.452"/0.708"	UT018JCSL	UT018JCL
Short shielded cable gland with strain relief nut for water protected applications (IP68 & IP69K) (Fig.3)	✓	0.393"/0.570"	UT0S18JCS	UT0S18JC
Short shielded cable gland with large strain relief nut for water protected applications (IP68 & IP69K) (Fig.4)	✓	0.531"/0.708"	UT0S18JCSL	UT0S18JCL
Metal cable clamp with strain relief (Fig.5)	-	0.629"	UT018AC	
Metal shrink boot adaptor (Fig.6)	-	-	UT018AD	
Metal right angle cable clamp with strain relief nut (Fig.7)	-	0.354"/0.826"	UT018LPGN	
Shielded cable clamp with plastic strain relief nut (Fig.8)	✓	0.255"/0.629"	UT0S18JCPGN	
Cable clamp with plastic strain relief nut (Fig.8)	-	0.255"/0.629"	UT018JCPGN	

1832 (Shell size 18, 32x#20)

Dimensions



Backshells (for Mated Connector Length: See Page 153)

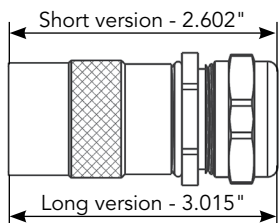


Fig. 1

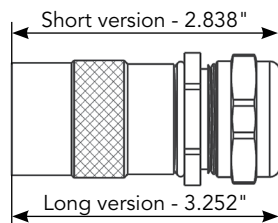


Fig. 2

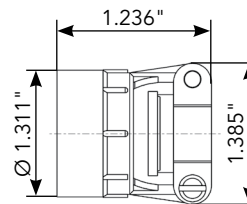


Fig. 5

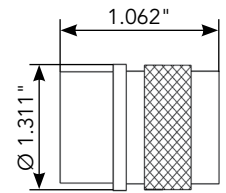


Fig. 6

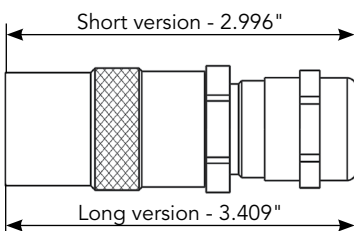


Fig. 3

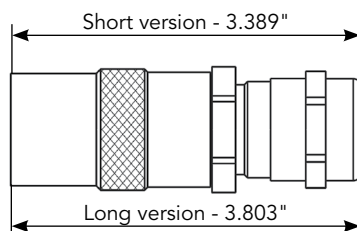


Fig. 4

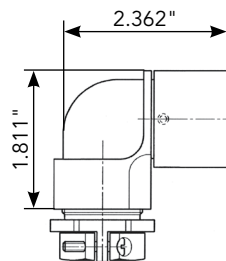


Fig. 7

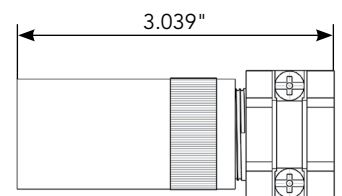


Fig. 8

Note: all dimensions are in inches

1832 (Shell size 18, 32x#20)

Accessories and Tooling

Dustcap (Receptacle)



Part number
UT018DCG*

Dustcap (Plug)




Part number
UTG618DCG*

Handle (without Head)




Part number
SHANDLES

Tool Kit



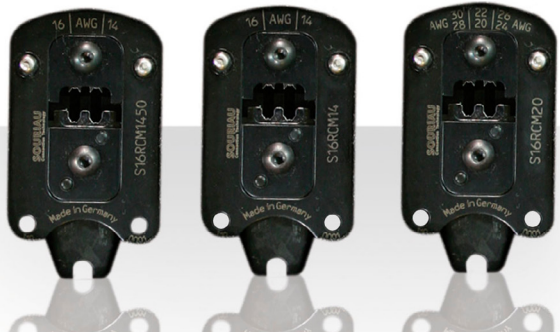
Part number
TOOLKIT

Gasket



Part number / Neoprene
UTFD16B

Crimp Tooling (without Shandles)



Contacts	Contact size	Part number of head
RM/RC 24W3K ⁽¹⁾	Standard contacts #20 Ø 1mm	S20RCM*
RM/RC 20W3K ⁽¹⁾		S20RCM*
RM/RC 18W3K ⁽¹⁾		S20RCM*
SM/SC 24WL3 ⁽¹⁾⁽²⁾		S20SCM20*
SM/SC 20WL3 ⁽¹⁾⁽²⁾		S20SCM20*

(1): Example of plating, for other plating options see page 129
 (2): loose contact
 * Heads to be used with handle PN: SHANDLES



Extraction Tool #20



Part number
RX20D44

* For dustcap without chain, skip "G", e.g. UT018DC

1832 (Shell size 18, 32x#20)

Contacts

#20	Contact type	AWG	Part number		Max wire Ø	Max insulator Ø
			Male	Female		
Crimp	Machined	26-24	RM24W3K	RC24W3K	0.031"	0.062"
		22-20	RM20W3K	RC20W3K	0.045"	0.062"
		20-18	RM18W3K	RC18W3K	0.051"	0.082"
	Stamped & Formed reeled contacts <small>See note (2) for loose piece</small>	26-24	SM24W3TK6 ⁽¹⁾⁽²⁾	SC24W3TK6 ⁽¹⁾⁽²⁾	-	0.035"-0.062"
		26-24	SM24W3S26 ⁽¹⁾⁽²⁾	SC24W3S25 ⁽¹⁾⁽²⁾	-	0.035"-0.062"
		22-20	SM20W3TK6 ⁽¹⁾⁽²⁾	SC20W3TK6 ⁽¹⁾⁽²⁾	-	0.047"-0.082"
		22-20	SM20W3S26 ⁽¹⁾⁽²⁾	SC20W3S25 ⁽¹⁾⁽²⁾	-	0.047"-0.082"
	PCB	Machined ⁽³⁾	-	RMW5016K	RCW5016K	-

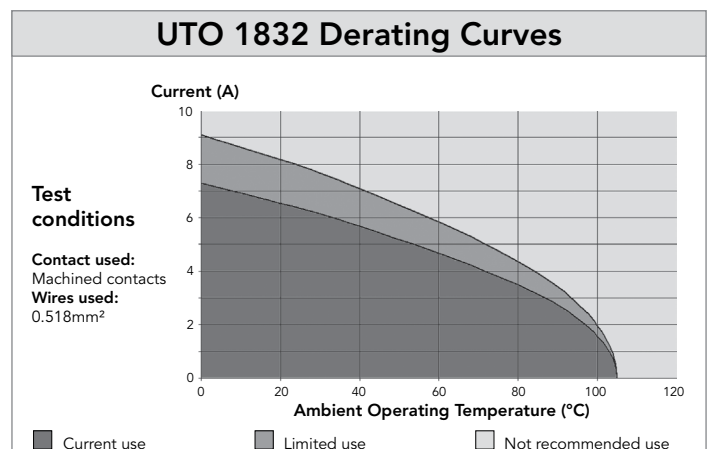
(1): Example of plating, for other plating options see page 129

(2): For loose piece contact packaging, place "L" in part number. Example: SM20WL3TK6

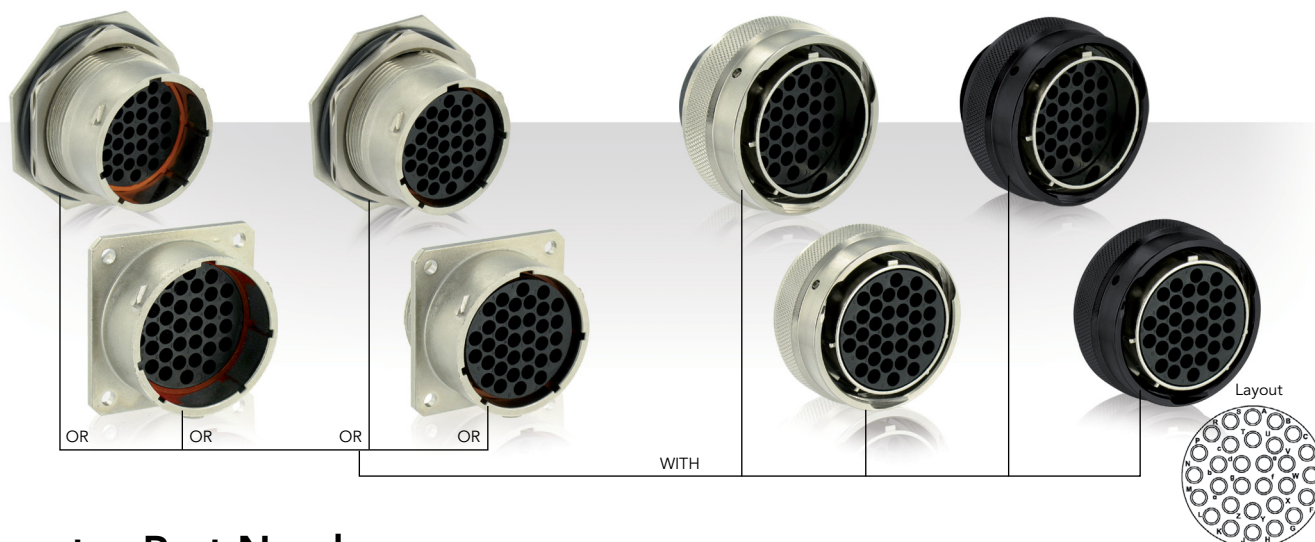
(3): For dimensions see page 132

Note: all dimensions are in inches

Electrical Characteristics
<p>UL 4A 250V UL94 V-0</p> <p>CSA 3A 250V UL94 V-0</p> <p>IEC 4A 50V 1.5kV 3</p>



2235 (Shell size 22, 35x#16)



Connector Part Numbers

Drilling pattern see page 178

Contact type	Connector type	Sealing	Salt spray	Part number*	
				Male insert	Female insert
Contacts supplied separately see page 103	Square flange receptacle	IP67	96h	UT002235PH	UT002235SH
		IP68 & IP69K	96h	UT002235PH6	UT002235SH6
	Plug	IP67, IP68 & IP69K	48h	UT062235PH	UT062235SH
		IP67, IP68 & IP69K	96h	UT062235PH02 (Black)	UT062235SH02 (Black)
	Jam nut receptacle	IP67	48h	UT072235PH	UT072235SH
			48h	UT072235PH6	UT072235SH6
		IP68 & IP69K	96h	UT072235PH01	UT072235SH01
			96h	UT072235PH601	UT072235SH601

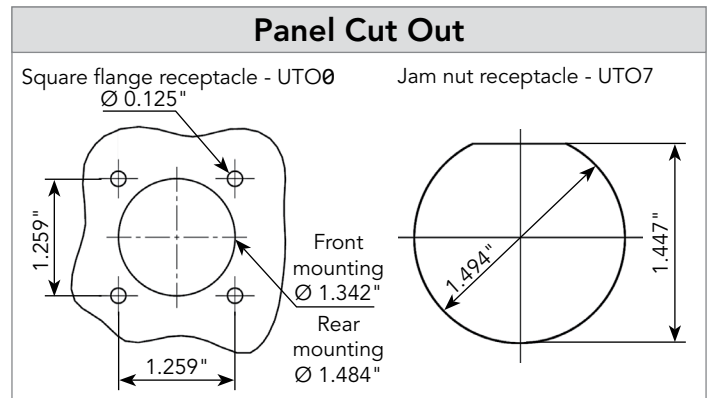
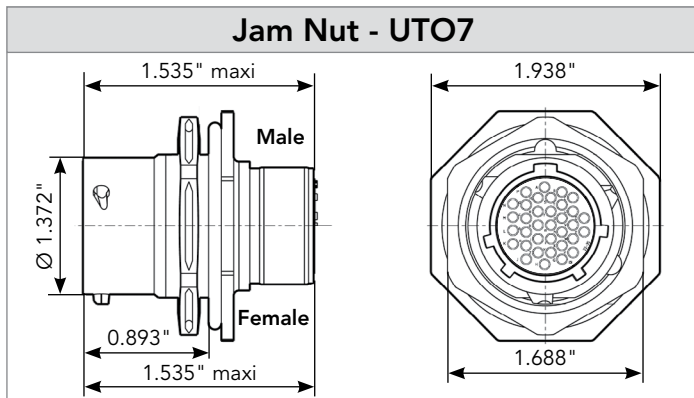
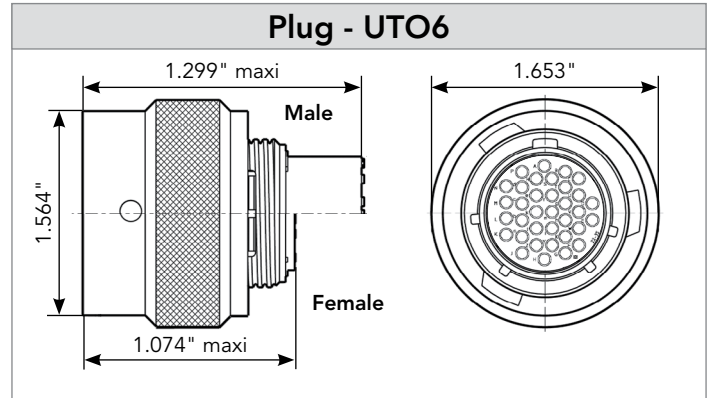
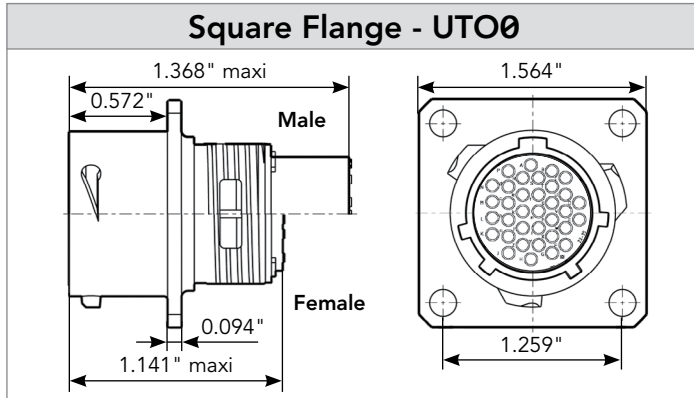
* Other discrimination keying option, see page 180

Backshells

Backshell type	Shielding	Cable range (Ø inch) min/max	Part number	
			Short version	Long version
Short cable gland with strain relief nut for water protected applications (IP68 & IP69K) (Fig.1)	-	0.452"/0.708"	UT022JCS	UT022JC
Short cable gland with large strain relief nut for water protected applications (IP68 & IP69K) (Fig.2)	-	0.590"/0.944"	UT022JCSL	UT022JCL
Short shielded cable gland with strain relief nut for water protected applications (IP68 & IP69K) (Fig.3)	✓	0.531"/0.708"	UT0S22JCS	UT0S22JC
Short shielded cable gland with large strain relief nut for water protected applications (IP68 & IP69K) (Fig.4)	✓	0.669"/0.944"	UT0S22JCSL	UT0S22JCL
Metal cable clamp with strain relief (Fig.5)	-	0.759"	UT022AC	
Metal shrink boot adaptor (Fig.6)	-	-	UT022AD	
Metal right angle cable clamp with strain relief nut (Fig.7)	-	0.354"/0.826"	UT022LPGN	
Shielded cable clamp with plastic strain relief nut (Fig.8)	✓	0.354"/0.826"	UT0S22JCPGN	
Cable clamp with plastic strain relief nut (Fig.8)	-	0.354"/0.826"	UT022JCPGN	

2235 (Shell size 22, 35x#16)

Dimensions



Backshells (for Mated Connector Length: See Page 153)

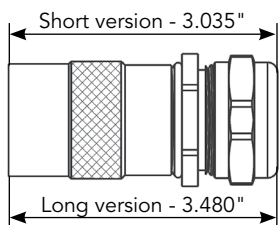


Fig. 1

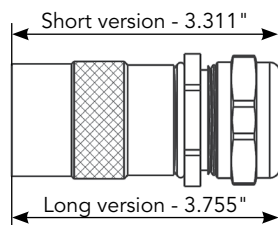


Fig. 2

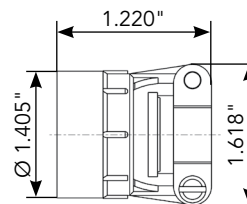


Fig. 5

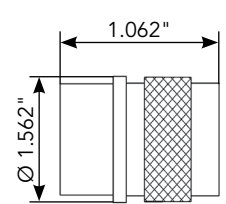


Fig. 6

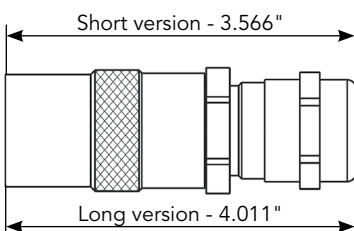


Fig. 3

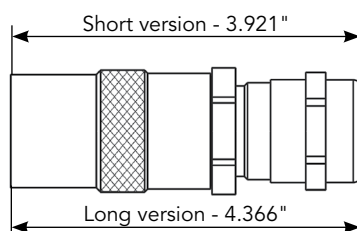


Fig. 4

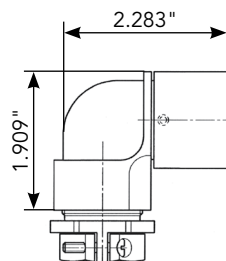


Fig. 7

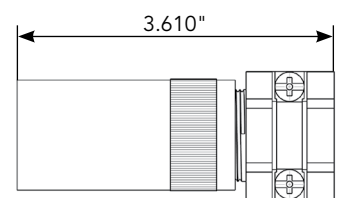


Fig. 8

Note: all dimensions are in inches

2235 (Shell size 22, 35x#16)

Accessories and Tooling

Dustcap (Receptacle)



Part number
UT022DCG*

Dustcap (Plug)




Part number
UTG622DCG*

Handle (without Head)




Part number
SHANDLES

Tool Kit




Part number
TOOLKIT

Gasket



Part number / Neoprene
UTFD18B

Dummy Contact #16



Part number / Polyamide 6.6
SMPK0


See page 180 for more information

Extraction Tool #16



Part number
RX2025GE1

Crimp Tooling (without Shandles)



Contacts	Contact size	Part number of head	
RM/RC 28M1K ⁽¹⁾	Standard contacts #16 Ø 1.6mm	S16RCM20*	
RM/RC 24M9K ⁽¹⁾		S16RCM20*	
RM/RC 20M13K ⁽¹⁾		S16RCM20*	
RM/RC 20M12K ⁽¹⁾		S16RCM20*	
RM/RC 16M23K ⁽¹⁾		S16RCM16*	
RM/RC 14M30K ⁽¹⁾		S16RCM14*	
SM/SC 24ML1TK6 ⁽¹⁾		S16SCM20*	
SM/SC 20ML1TK6 ⁽¹⁾		S16SCM20*	
SM/SC 16ML1TK6 ⁽¹⁾		S16SCML1*	
SM/SC 14ML1TK6 ⁽¹⁾		S16SCML1*	
SM/SC 16ML11TK6 ⁽¹⁾		S16SCML11*	
RMDXK10D28K		Coaxial contacts	M10S1J with die set & stop bushing see page 172 to 174
RCDXK1D28K			
RM/RC DX60xxD28K			
RM/RC DXK10D28 + york090			
RM/RC DX60xxD28			

(1): Example of plating, for other plating options see page 129
* Heads to be used with handle PN: SHANDLES



* For dustcap without chain, skip "G", e.g. UT022DC

2235 (Shell size 22, 35x#16)

Contacts

#16	Contact type	AWG	Part number		Max wire Ø	Max insulator Ø
			Male	Female		
Crimp	Machined	30-28	RM28M1K ⁽¹⁾	RC28M1K ⁽¹⁾	0.021"	0.039"
		26-24	RM24M9K ⁽¹⁾	RC24M9K ⁽¹⁾	0.031"	0.062"
		22-20	RM20M13K ⁽¹⁾	RC20M13K ⁽¹⁾	0.045"	0.070"
		22-20	RM20M12K ⁽¹⁾	RC20M12K ⁽¹⁾	0.045"	0.086"
		20-16	RM16M23K ⁽¹⁾	RC16M23K ⁽¹⁾	0.070"	0.125"
		16-14	RM14M30K ⁽¹⁾	RC14M30K ⁽¹⁾	0.090"	0.125"
	Stamped & Formed reeled contacts See note (2) for loose piece	26-24	SM24M1TK6 ⁽¹⁾⁽²⁾	SC24M1TK6 ⁽¹⁾⁽²⁾	-	0.035"-0.062"
		22-20	SM20M1TK6 ⁽¹⁾⁽²⁾	SC20M1TK6 ⁽¹⁾⁽²⁾	-	0.047"-0.082"
		18-16	SM16M1TK6 ⁽¹⁾⁽²⁾	SC16M1TK6 ⁽¹⁾⁽²⁾	-	0.125"
		18-16	SM16M11TK6 ⁽¹⁾⁽²⁾	SC16M11TK6 ⁽¹⁾⁽²⁾	-	0.118"
14		SM14M1TK6 ⁽¹⁾⁽²⁾	SC14M1TK6 ⁽¹⁾⁽²⁾	-	0.125"	
PCB	Machined ⁽³⁾	-	RM20M12E8K ⁽¹⁾	RC20M12E84K ⁽¹⁾	-	-
Coaxial	Cable Multipiece	see pages 131, 168 to 174	RMDXK10D28	RCDXK1D28	-	-
	Cable Monocrimp		RMDX60xxD28	RCDX60xxD28	-	-
	Twisted pair Multipiece		RMDXK10D28 + york090	RCDXK1D28 + york090	-	-
	Twisted pair Monocrimp		RMDX60xxD28	RCDX60xxD28	-	-

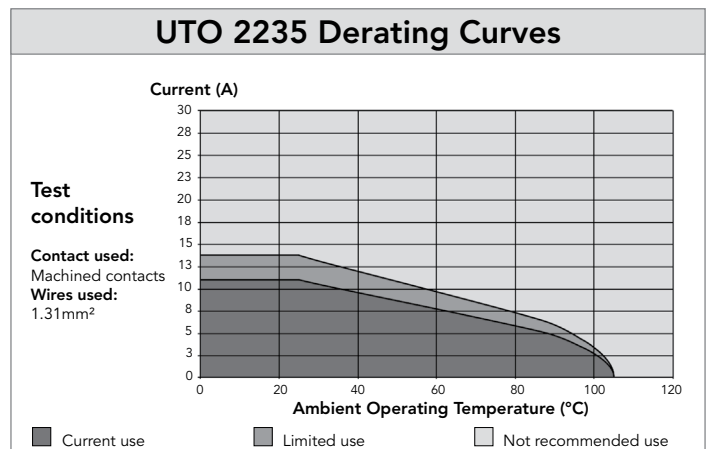
(1): Example of plating, for other plating options see page 129

(2): For loose piece contact packaging, place "L" in part number. Example: SM20ML1TK6

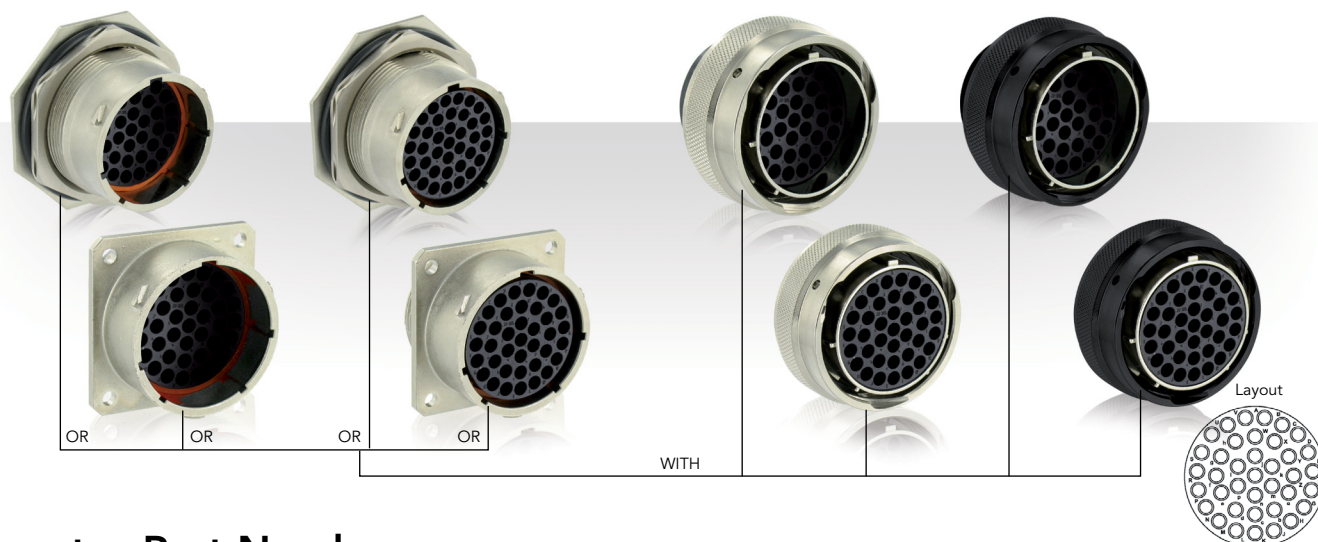
(3): For dimensions see page 132

Note: all dimensions are in inches

Electrical Characteristics
<p>UL 5A 500V UL94 V-0</p> <p>CSA 3A 500V UL94 V-0</p> <p>IEC 6A 150V 2.5kV 3</p>



2238 (Shell size 22, 38x#16)



Connector Part Numbers

Drilling pattern see page 178

Contact type	Connector type	Sealing	Salt spray	Part number*	
				Male insert	Female insert
Contacts supplied separately see page 107	Square flange receptacle	IP67	96h	UT002238PH	UT002238SH
		IP68 & IP69K	96h	UT002238PH6	UT002238SH6
	Plug	IP67, IP68 & IP69K	48h	UT062238PH	UT062238SH
		IP67, IP68 & IP69K	96h	UT062238PH02 (Black)	UT062238SH02 (Black)
	Jam nut receptacle	IP67	48h	UT072238PH	UT072238SH
		IP68 & IP69K	48h	UT072238PH6	UT072238SH6
		IP67	96h	UT072238PH01	UT072238SH01
		IP68 & IP69K	96h	UT072238PH601	UT072238SH601

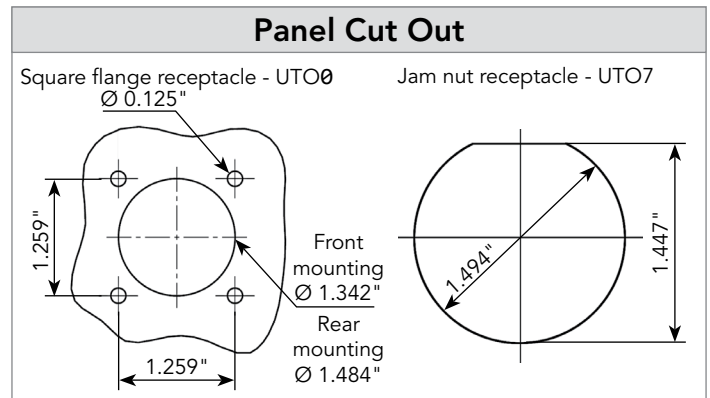
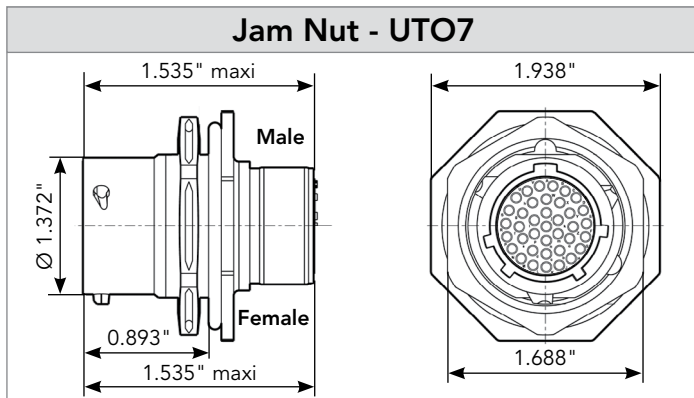
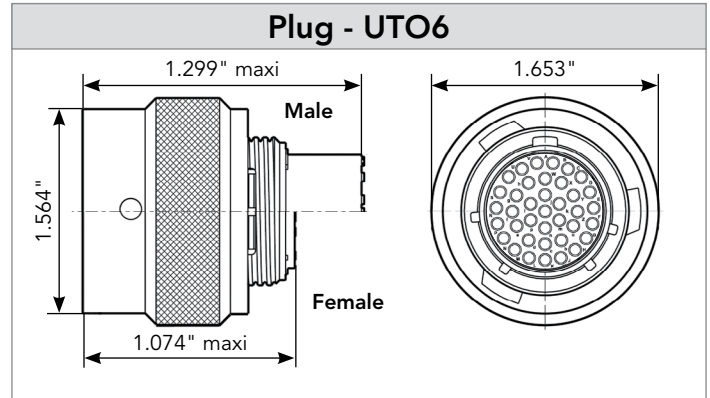
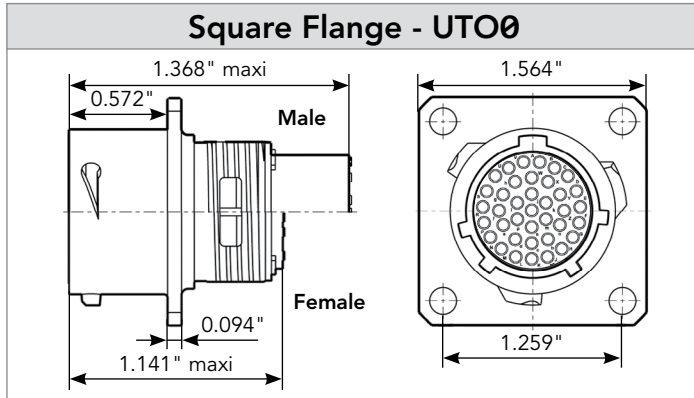
* Other possible discrimination, see page 180

Backshells

Backshell type	Shielding	Cable range (Ø inch) min/max	Part number	
			Short version	Long version
Short cable gland with strain relief nut for water protected applications (IP68 & IP69K) (Fig.1)	-	0.452"/0.708"	UT022JCS	UT022JC
Short cable gland with large strain relief nut for water protected applications (IP68 & IP69K) (Fig.2)	-	0.590"/0.944"	UT022JCSL	UT022JCL
Short shielded cable gland with strain relief nut for water protected applications (IP68 & IP69K) (Fig.3)	✓	0.531"/0.708"	UT0S22JCS	UT0S22JC
Short shielded cable gland with large strain relief nut for water protected applications (IP68 & IP69K) (Fig.4)	✓	0.669"/0.944"	UT0S22JCSL	UT0S22JCL
Metal cable clamp with strain relief (Fig.5)	-	0.759"	UT022AC	
Metal shrink boot adaptor (Fig.6)	-	-	UT022AD	
Metal right angle cable clamp with strain relief nut (Fig.7)	-	0.354"/0.826"	UT022LPGN	
Shielded cable clamp with plastic strain relief nut (Fig.8)	✓	0.354"/0.826"	UT0S22JCPGN	
Cable clamp with plastic strain relief nut (Fig.8)	-	0.354"/0.826"	UT022JCPGN	

2238 (Shell size 22, 38x#16)

Dimensions



Backshells (for Mated Connector Length: See Page 153)

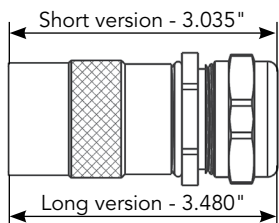


Fig. 1

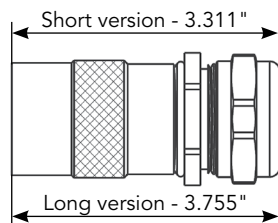


Fig. 2

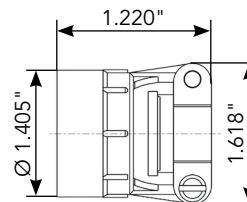


Fig. 5

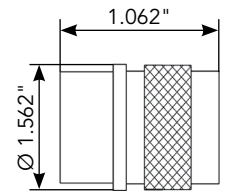


Fig. 6

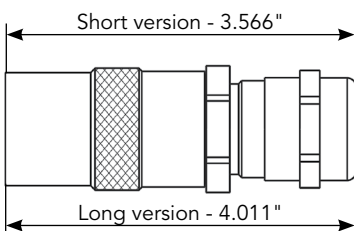


Fig. 3

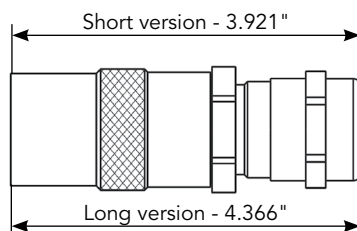


Fig. 4

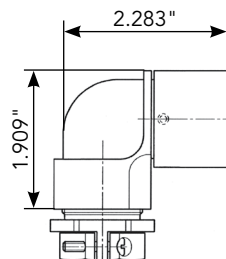


Fig. 7

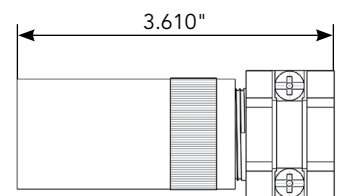


Fig. 8

Note: all dimensions are in inches

2238 (Shell size 22, 38x#16)

Accessories and Tooling

Dustcap (Receptacle)



Part number
UT022DCG*

Dustcap (Plug)




Part number
UTG622DCG*

Handle (without Head)




Part number
SHANDLES

Tool Kit




Part number
TOOLKIT

Gasket



Part number / Neoprene
UTFD18B

Dummy Contact #16



Part number / Polyamide 6.6
SMPK0

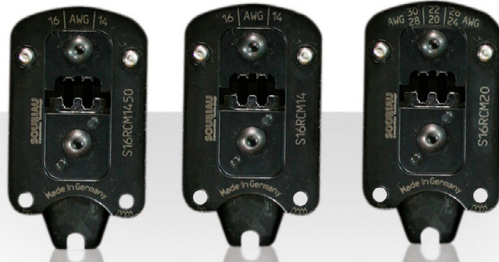
See page 180 for more information

Extraction Tool #16



Part number
RX2025GE1

Crimp Tooling (without Shandles)



Contacts	Contact size	Part number of head	
RM/RC 28M1K ⁽¹⁾	Standard contacts #16 Ø 1.6mm	S16RCM20*	
RM/RC 24M9K ⁽¹⁾		S16RCM20*	
RM/RC 20M13K ⁽¹⁾		S16RCM20*	
RM/RC 20M12K ⁽¹⁾		S16RCM20*	
RM/RC 16M23K ⁽¹⁾		S16RCM16*	
RM/RC 14M30K ⁽¹⁾		S16RCM14*	
SM/SC 24ML1TK6 ⁽¹⁾		S16SCM20*	
SM/SC 20ML1TK6 ⁽¹⁾		S16SCM20*	
SM/SC 16ML1TK6 ⁽¹⁾		S16SCML1*	
SM/SC 14ML1TK6 ⁽¹⁾		S16SCML1*	
SM/SC 16ML11TK6 ⁽¹⁾		S16SCML11*	
RMDXK10D28K		Coaxial contacts	M10S1J with die set & stop bushing see page 172 to 174
RCDXK1D28K			
RM/RC DX60xxD28K			
RM/RC DXK10D28 + york090			
RM/RC DX60xxD28			

(1): Example of plating, for other plating options see page 129
* Heads to be used with handle PN: SHANDLES



* For dustcap without chain, skip "G", e.g. UT022DC

2238 (Shell size 22, 38x#16)

Contacts

#16	Contact type	AWG	Part number		Max wire Ø	Max insulator Ø
			Male	Female		
Crimp	Machined	30-28	RM28M1K ⁽¹⁾	RC28M1K ⁽¹⁾	0.021"	0.039"
		26-24	RM24M9K ⁽¹⁾	RC24M9K ⁽¹⁾	0.031"	0.062"
		22-20	RM20M13K ⁽¹⁾	RC20M13K ⁽¹⁾	0.045"	0.070"
		22-20	RM20M12K ⁽¹⁾	RC20M12K ⁽¹⁾	0.045"	0.086"
		20-16	RM16M23K ⁽¹⁾	RC16M23K ⁽¹⁾	0.070"	0.125"
		16-14	RM14M30K ⁽¹⁾	RC14M30K ⁽¹⁾	0.090"	0.125"
	Stamped & Formed reeled contacts See note (2) for loose piece	26-24	SM24M1TK6 ⁽¹⁾⁽²⁾	SC24M1TK6 ⁽¹⁾⁽²⁾	-	0.035"-0.062"
		22-20	SM20M1TK6 ⁽¹⁾⁽²⁾	SC20M1TK6 ⁽¹⁾⁽²⁾	-	0.047"-0.082"
		18-16	SM16M1TK6 ⁽¹⁾⁽²⁾	SC16M1TK6 ⁽¹⁾⁽²⁾	-	0.125"
		18-16	SM16M11TK6 ⁽¹⁾⁽²⁾	SC16M11TK6 ⁽¹⁾⁽²⁾	-	0.118"
14		SM14M1TK6 ⁽¹⁾⁽²⁾	SC14M1TK6 ⁽¹⁾⁽²⁾	-	0.125"	
PCB	Machined ⁽³⁾	-	RM20M12E8K ⁽¹⁾	RC20M12E84K ⁽¹⁾	-	-
Coaxial	Cable Multipiece	see pages 131, 168 to 174	RMDXK10D28	RCDXK1D28	-	-
	Cable Monocrimp		RMDX60xxD28	RCDX60xxD28	-	-
	Twisted pair Multipiece		RMDXK10D28 + york090	RCDXK1D28 + york090	-	-
	Twisted pair Monocrimp		RMDX60xxD28	RCDX60xxD28	-	-

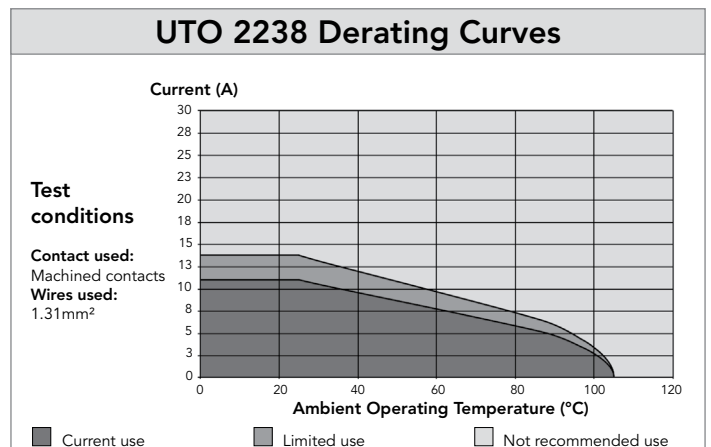
(1): Example of plating, for other plating options see page 129

(2): For loose piece contact packaging, place "L" in part number. Example: SM20ML1TK6

(3): For dimensions see page 132

Note: all dimensions are in inches

Electrical Characteristics
<p>UL 5A 500V UL94 V-0</p> <p>CSA 3A 500V UL94 V-0</p> <p>IEC 6A 150V 2.5kV 3</p>



2041 (Shell size 20, 41x#20)



Connector Part Numbers

Drilling pattern see page 178

Contact type	Connector type	Sealing	Salt spray	Part number*	
				Male insert	Female insert
Contacts supplied separately see page 111	Square flange receptacle	IP67	96h	UT0W02041PH	UT0W02041SH
		IP68 & IP69K	96h	UT0W02041PH6	UT0W02041SH6
	Plug	IP67, IP68 & IP69K	48h	UT0W62041PH	UT0W62041SH
		IP67, IP68 & IP69K	96h	UT0W62041PH02_(Black)	UT0W62041SH02_(Black)
	Jam nut receptacle	IP67	48h	UT0W72041PH	UT0W72041SH
			48h	UT0W72041PH6	UT0W72041SH6
		IP68 & IP69K	96h	UT0W72041PH01	UT0W72041SH01
			96h	UT0W72041PH601	UT0W72041SH601

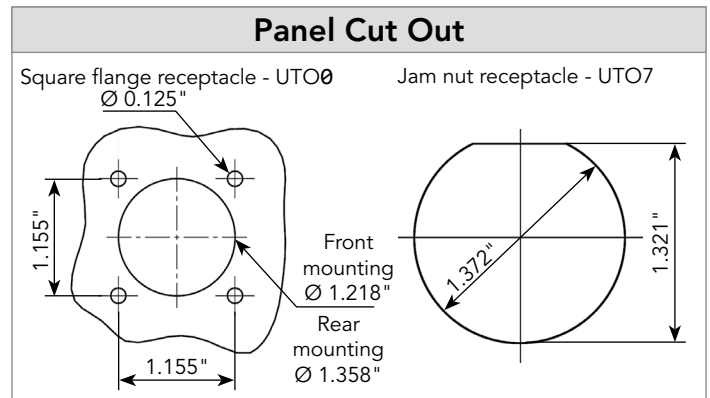
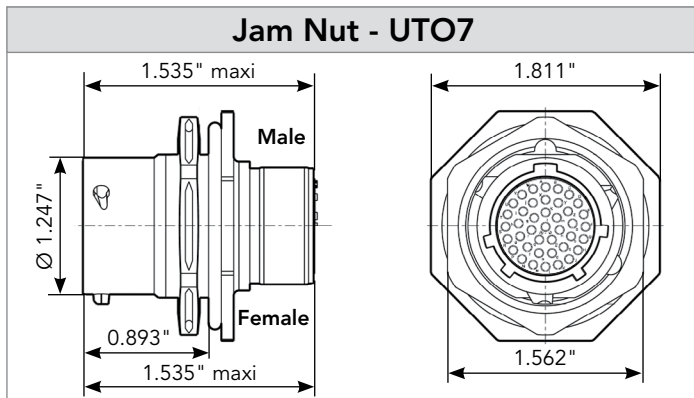
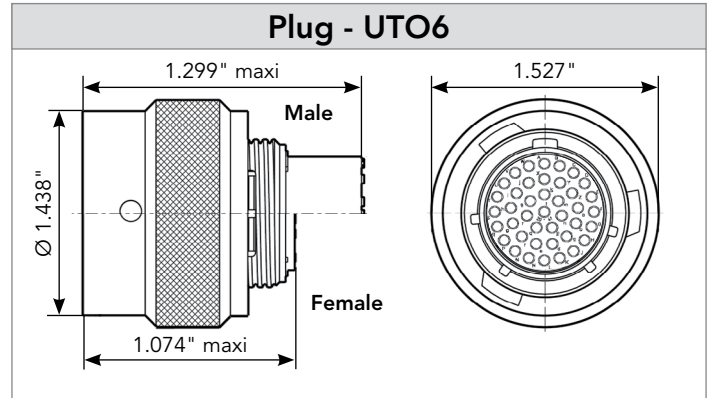
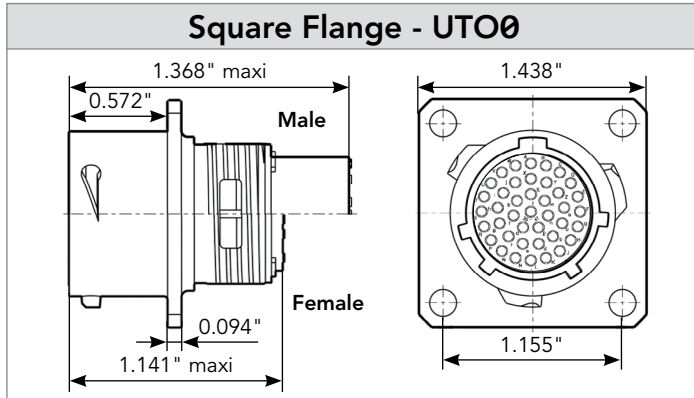
* Other discrimination keying option, see page 180

Backshells

Backshell type	Shielding	Cable range (Ø inch) min/max	Part number	
			Short version	Long version
Cable gland with strain relief nut for water protected applications (IP68 & IP69K) (Fig.1)	-	0.452"/0.708"	UT020JCS	UT020JC
Cable gland with large strain relief nut for water protected applications (IP68 & IP69K) (Fig.2)	-	0.590"/0.944"	UT020JCSL	UT020JCL
Shielded cable gland with strain relief nut for water protected applications (IP68 & IP69K) (Fig.3)	✓	0.531"/0.708"	UT0S20JCS	UT0S20JC
Shielded cable gland with large strain relief nut for water protected applications (IP68 & IP69K) (Fig.4)	✓	0.669"/0.944"	UT0S20JCSL	UT0S20JCL
Metal cable clamp with strain relief (Fig.5)	-	0.629"	UT020AC	
Metal shrink boot adaptor (Fig.6)	-	-	UT020AD	
Metal right angle cable clamp with strain relief nut (Fig.7)	-	0.354"/0.826"	UT020LPGN	
Shielded cable clamp with plastic strain relief nut (Fig.8)	✓	0.354"/0.826"	UT0S20JCPGN	
Cable clamp with plastic strain relief nut (Fig.8)	-	0.354"/0.826"	UT020JCPGN	

2041 (Shell size 20, 41x#20)

Dimensions



Backshells (for Mated Connector Length: See Page 153)

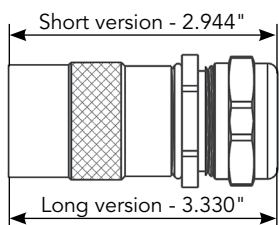


Fig. 1

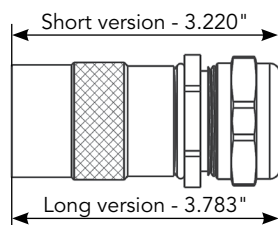


Fig. 2

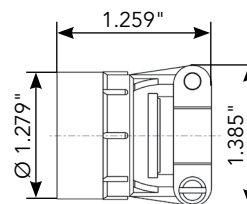


Fig. 5

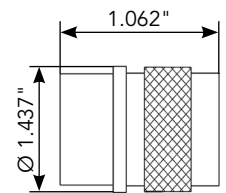


Fig. 6

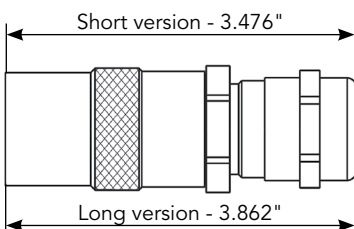


Fig. 3

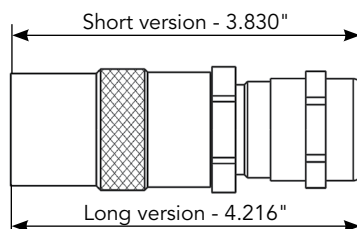


Fig. 4

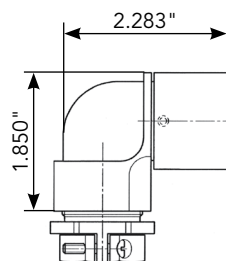


Fig. 7

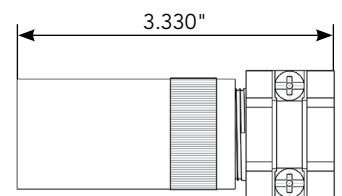


Fig. 8

Note: all dimensions are in inches

2041 (Shell size 20, 41x#20)

Accessories and Tooling

Dustcap (Receptacle)



Part number
UT020DCG*

Dustcap (Plug)




Part number
UTG620DCG*

Handle (without Head)




Part number
SHANDLES

Tool Kit



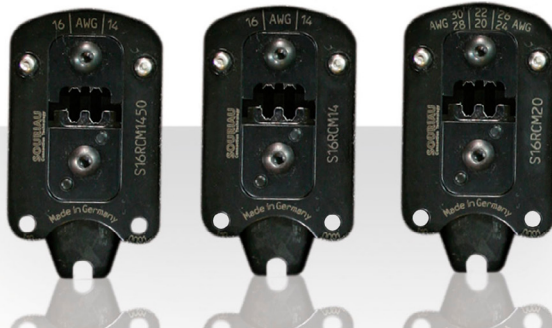
Part number
TOOLKIT

Gasket



Part number / Neoprene
UTFD17B

Crimp Tooling (without Shandles)



Contacts	Contact size	Part number of head
RM/RC 24W3K ⁽¹⁾	Standard contacts #20 Ø 1mm	S20RCM*
RM/RC 20W3K ⁽¹⁾		S20RCM*
RM/RC 18W3K ⁽¹⁾		S20RCM*
SM/SC 24WL3 ⁽¹⁾⁽²⁾		S20SCM20*
SM/SC 20WL3 ⁽¹⁾⁽²⁾		S20SCM20*

(1): Example of plating, for other plating options see page 129
 (2): loose contact
 * Heads to be used with handle PN: SHANDLES



Extraction Tool #20



Part number
RX20D44

* For dustcap without chain, skip "G", e.g. UT020DC

2041 (Shell size 20, 41x#20)

Contacts

#20	Contact type	AWG	Part number		Max wire Ø	Max insulator Ø
			Male	Female		
Crimp	Machined	26-24	RM24W3K	RC24W3K	0.031"	0.062"
		22-20	RM20W3K	RC20W3K	0.045"	0.062"
		20-18	RM18W3K	RC18W3K	0.051"	0.082"
	Stamped & Formed reeled contacts <small>See note (2) for loose piece</small>	26-24	SM24W3TK6 ⁽¹⁾⁽²⁾	SC24W3TK6 ⁽¹⁾⁽²⁾	-	0.035"-0.062"
		26-24	SM24W3S26 ⁽¹⁾⁽²⁾	SC24W3S25 ⁽¹⁾⁽²⁾	-	0.035"-0.062"
		22-20	SM20W3TK6 ⁽¹⁾⁽²⁾	SC20W3TK6 ⁽¹⁾⁽²⁾	-	0.047"-0.082"
		22-20	SM20W3S26 ⁽¹⁾⁽²⁾	SC20W3S25 ⁽¹⁾⁽²⁾	-	0.047"-0.082"
	PCB	Machined ⁽³⁾	-	RMW5016K	RCW5016K	-

(1): Example of plating, for other plating options see page 129

(2): For loose piece contact packaging, place "L" in part number. Example: SM20WL3TK6

(3): For dimensions see page 132

Note: all dimensions are in inches

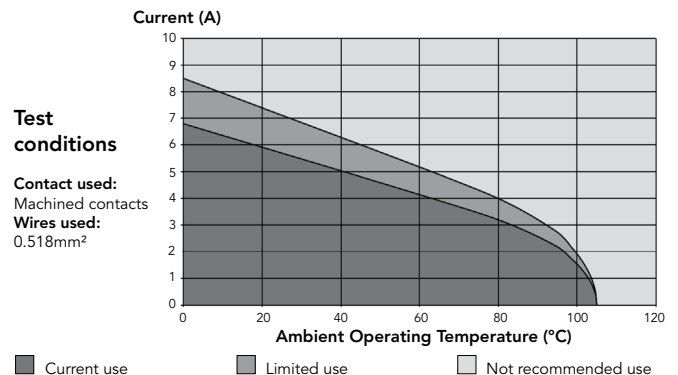
Electrical Characteristics

UL
3A 250V UL94 V-0

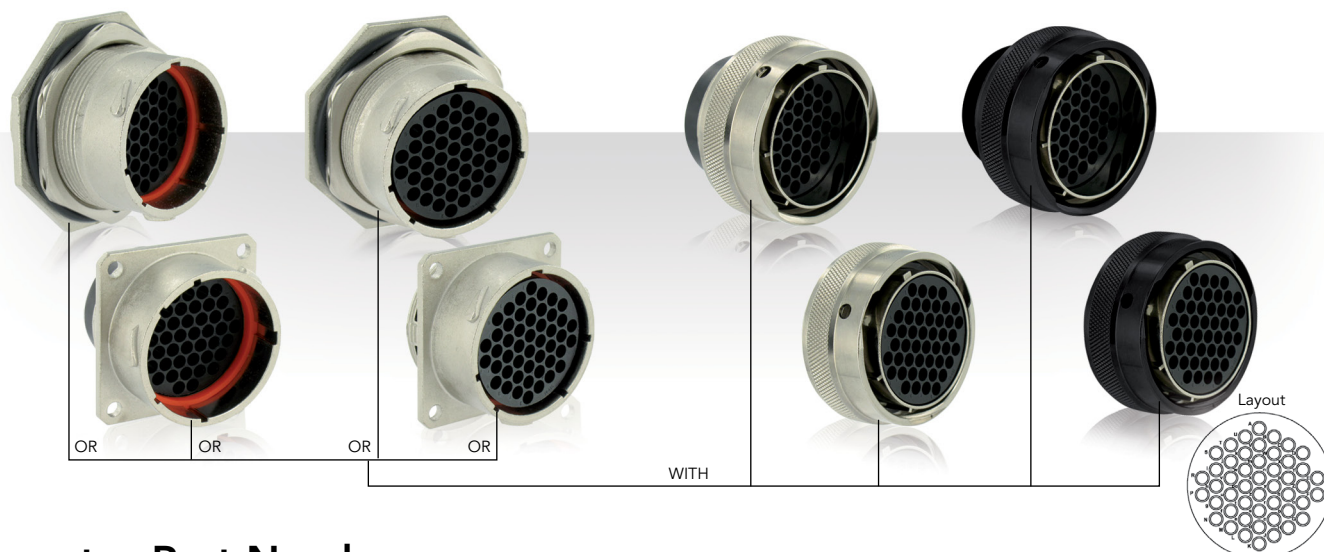
CSA
2A 250V UL94 V-0

IEC
8A 80V 1.5kV 3

UTO 2041 Derating Curves



2448 (Shell size 24, 48x#16)



Connector Part Numbers

Drilling pattern see page 179

Contact type	Connector type	Sealing	Salt spray	Part number*	
				Male insert	Female insert
Contacts supplied separately see page 115	Square flange receptacle	IP67	96h	UT002448PH	UT002448SH
		IP68 & IP69K	96h	UT002448PH6	UT002448SH6
	Plug	IP67, IP68 & IP69K	48h	UT062448PH	UT062448SH
		IP67, IP68 & IP69K	96h	UT062448PH02 (Black)	UT062448SH02 (Black)
	Jam nut receptacle	IP67	48h	UT072448PH	UT072448SH
		IP68 & IP69K	48h	UT072448PH6	UT072448SH6
		IP67	96h	UT072448PH01	UT072448SH01
		IP68 & IP69K	96h	UT072448PH601	UT072448SH601

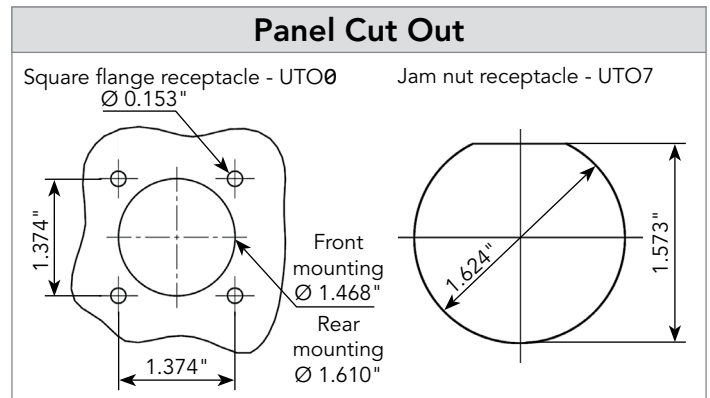
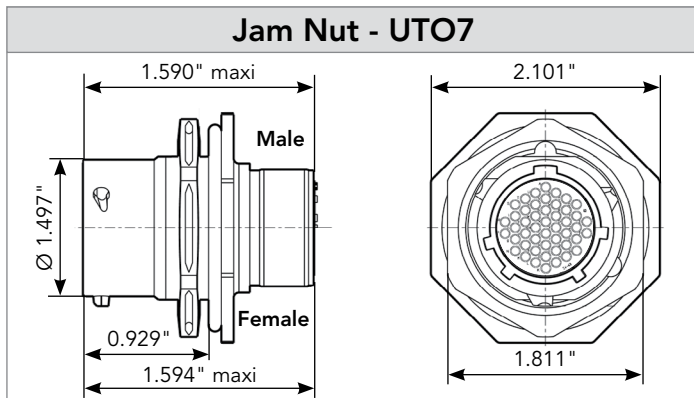
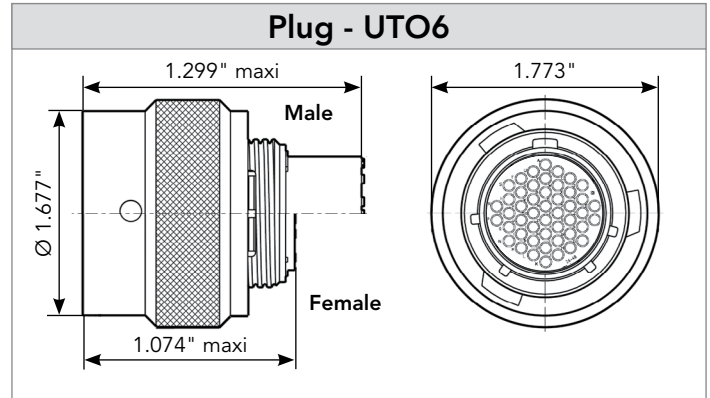
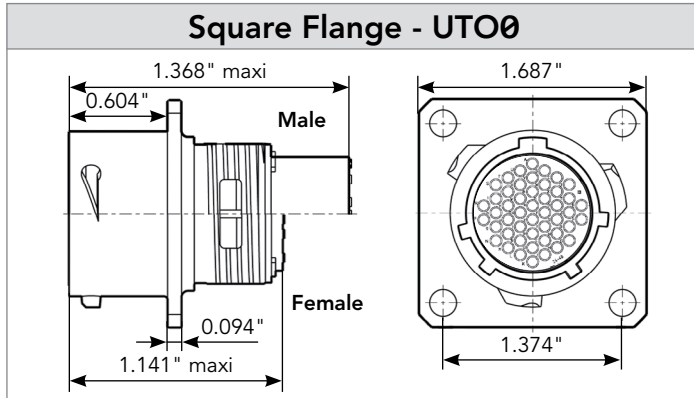
* Other discrimination keying option, see page 180

Backshells

Backshell type	Shielding	Cable range (Ø inch) min/max	Part number	
			Short version	Long version
Short cable gland with strain relief nut for water protected applications (IP68 & IP69K) (Fig.1)	-	0.452"/0.708"	UT024JCS	UT024JC
Short cable gland with large strain relief nut for water protected applications (IP68 & IP69K) (Fig.2)	-	0.590"/0.944"	UT024JCSL	UT024JCL
Short shielded cable gland with strain relief nut for water protected applications (IP68 & IP69K) (Fig.3)	✓	0.531"/0.708"	UT0S24JCS	UT0S24JC
Short shielded cable gland with large strain relief nut for water protected applications (IP68 & IP69K) (Fig.4)	✓	0.669"/0.944"	UT0S24JCSL	UT0S24JCL
Metal cable clamp with strain relief (Fig.5)	-	0.811"	UT024AC	
Metal shrink boot adaptor (Fig.6)	-	-	UT024AD	
Metal right angle cable clamp with strain relief nut (Fig.7)	-	0.669"/1.181"	UT024LPGN	
Shielded cable clamp with plastic strain relief nut (Fig.8)	✓	0.669"/1.161"	UT0S24JCPGN	
Cable clamp with plastic strain relief nut (Fig.8)	-	0.669"/1.161"	UT024JCPGN	

2448 (Shell size 24, 48x#16)

Dimensions



Backshells (for Mated Connector Length: See Page 153)

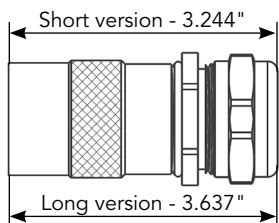


Fig. 1

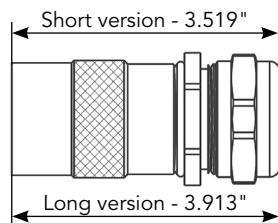


Fig. 2

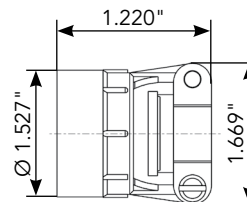


Fig. 5

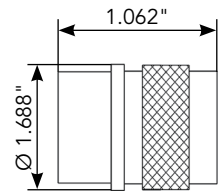


Fig. 6

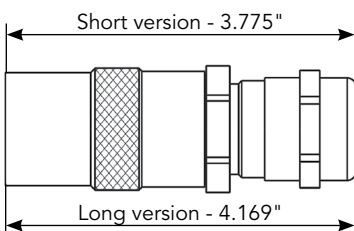


Fig. 3

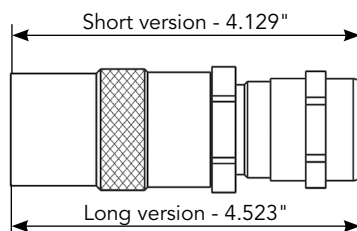


Fig. 4

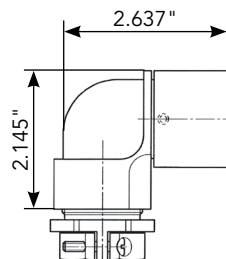


Fig. 7

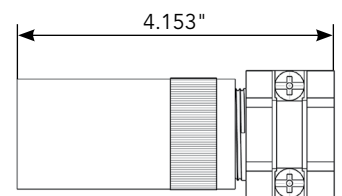


Fig. 8

Note: all dimensions are in inches

2448 (Shell size 24, 48x#16)

Accessories and Tooling

Dustcap (Receptacle)



Part number
UT024DCG*

Dustcap (Plug)



Part number
UTG624DCG*

Handle (without Head)




Part number
SHANDLES

Tool Kit



Part number
TOOLKIT

Gasket



Part number / Neoprene
UTFD19B

Dummy Contact #16



Part number / Polyamide 6.6
SMSPE0


See page 180 for more information

Extraction Tool #16



Part number
RX2025GE1

Crimp Tooling (without Shandles)



Contacts	Contact size	Part number of head	
RM/RC 28M1K ⁽¹⁾	Standard contacts #16 Ø 1.6mm	S16RCM20*	
RM/RC 24M9K ⁽¹⁾		S16RCM20*	
RM/RC 20M13K ⁽¹⁾		S16RCM20*	
RM/RC 20M12K ⁽¹⁾		S16RCM20*	
RM/RC 16M23K ⁽¹⁾		S16RCM16*	
RM/RC 14M30K ⁽¹⁾		S16RCM14*	
SM/SC 24ML1TK6 ⁽¹⁾		S16SCM20*	
SM/SC 20ML1TK6 ⁽¹⁾		S16SCM20*	
SM/SC 16ML1TK6 ⁽¹⁾		S16SCML1*	
SM/SC 14ML1TK6 ⁽¹⁾		S16SCML1*	
SM/SC 16ML11TK6 ⁽¹⁾		S16SCML11*	
RMDXK10D28K		Coaxial contacts	M10S1J with die set & stop bushing see page 172 to 174
RCDXK1D28K			
RM/RC DX60xxD28K			
RM/RC DXK10D28 + york090			
RM/RC DX60xxD28			

(1): Example of plating, for other plating options see page 129
* Heads to be used with handle PN: SHANDLES



* For dustcap without chain, skip "G", e.g. UT024DC

2448 (Shell size 24, 48x#16)

Contacts

#16	Contact type	AWG	Part number		Max wire Ø	Max insulator Ø
			Male	Female		
Crimp	Machined	30-28	RM28M1K ⁽¹⁾	RC28M1K ⁽¹⁾	0.021"	0.039"
		26-24	RM24M9K ⁽¹⁾	RC24M9K ⁽¹⁾	0.031"	0.062"
		22-20	RM20M13K ⁽¹⁾	RC20M13K ⁽¹⁾	0.045"	0.070"
		22-20	RM20M12K ⁽¹⁾	RC20M12K ⁽¹⁾	0.045"	0.086"
		20-16	RM16M23K ⁽¹⁾	RC16M23K ⁽¹⁾	0.070"	0.125"
		16-14	RM14M30K ⁽¹⁾	RC14M30K ⁽¹⁾	0.090"	0.125"
	Stamped & Formed reeled contacts See note (2) for loose piece	26-24	SM24M1TK6 ⁽¹⁾⁽²⁾	SC24M1TK6 ⁽¹⁾⁽²⁾	-	0.035"-0.062"
		22-20	SM20M1TK6 ⁽¹⁾⁽²⁾	SC20M1TK6 ⁽¹⁾⁽²⁾	-	0.047"-0.082"
		18-16	SM16M1TK6 ⁽¹⁾⁽²⁾	SC16M1TK6 ⁽¹⁾⁽²⁾	-	0.125"
		18-16	SM16M11TK6 ⁽¹⁾⁽²⁾	SC16M11TK6 ⁽¹⁾⁽²⁾	-	0.118"
14		SM14M1TK6 ⁽¹⁾⁽²⁾	SC14M1TK6 ⁽¹⁾⁽²⁾	-	0.125"	
PCB	Machined ⁽³⁾	-	RM20M12E8K ⁽¹⁾	RC20M12E84K ⁽¹⁾	-	-
Coaxial	Cable Multipiece	see pages 131, 168 to 174	RMDXK10D28	RCDXK1D28	-	-
	Cable Monocrimp		RMDX60xxD28	RCDX60xxD28	-	-
	Twisted pair Multipiece		RMDXK10D28 + york090	RCDXK1D28 + york090	-	-
	Twisted pair Monocrimp		RMDX60xxD28	RCDX60xxD28	-	-

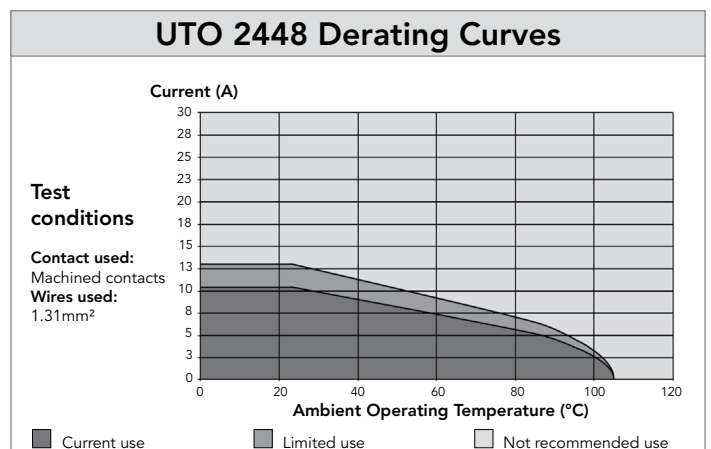
(1): Example of plating, for other plating options see page 129

(2): For loose piece contact packaging, place "L" in part number. Example: SM20ML1TK6

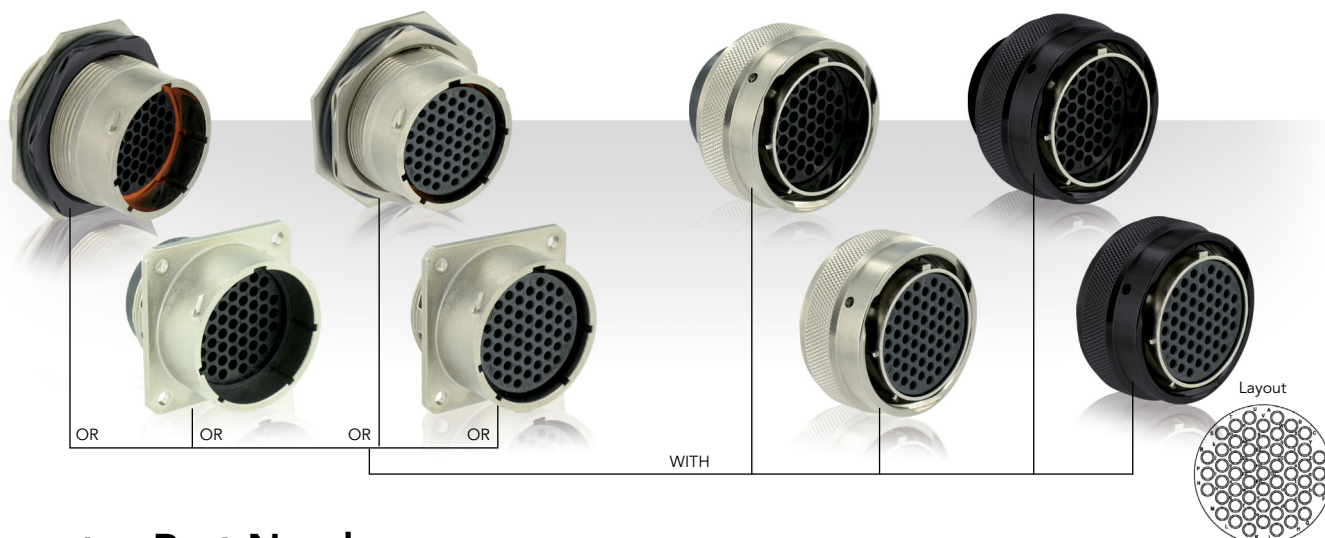
(3): For dimensions see page 132

Note: all dimensions are in inches

Electrical Characteristics
<p>UL 5A 500V UL94 V-0</p> <p>CSA 3A 500V UL94 V-0</p> <p>IEC 6A 160V 2.5kV 3</p>



2255 (Shell size 22, 55x#20)



Connector Part Numbers

Drilling pattern see page 179

Contact type	Connector type	Sealing	Salt spray	Part number*	
				Male insert	Female insert
Contacts supplied separately see page 119	Square flange receptacle	IP67	96h	UT0W02255PH	UT0W02255SH
		IP68 & IP69K	96h	UT0W02255PH6	UT0W02255SH6
	Plug	IP67, IP68 & IP69K	48h	UT0W62255PH	UT0W62255SH
		IP67, IP68 & IP69K	96h	UT0W62255PH02 (Black)	UT0W62255SH02 (Black)
	Jam nut receptacle	IP67	48h	UT0W72255PH	UT0W72255SH
			48h	UT0W72255PH6	UT0W72255SH6
		IP67	96h	UT0W72255PH01	UT0W72255SH01
		IP68 & IP69K	96h	UT0W72255PH601	UT0W72255SH601

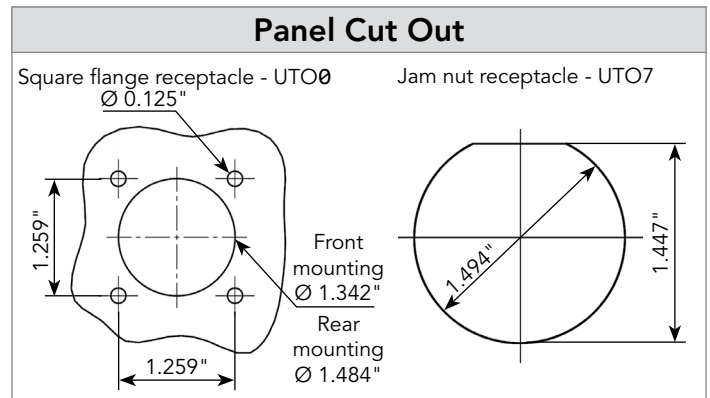
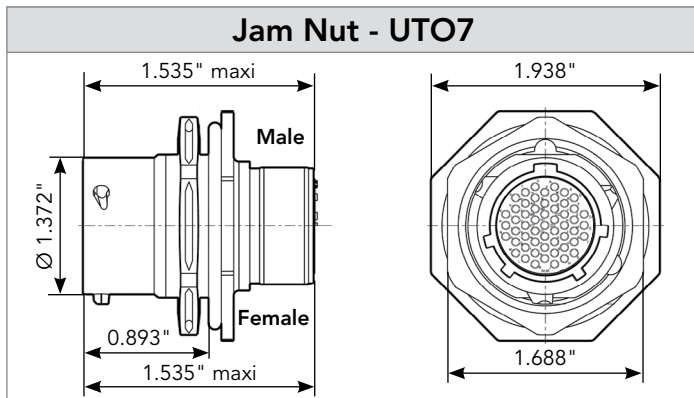
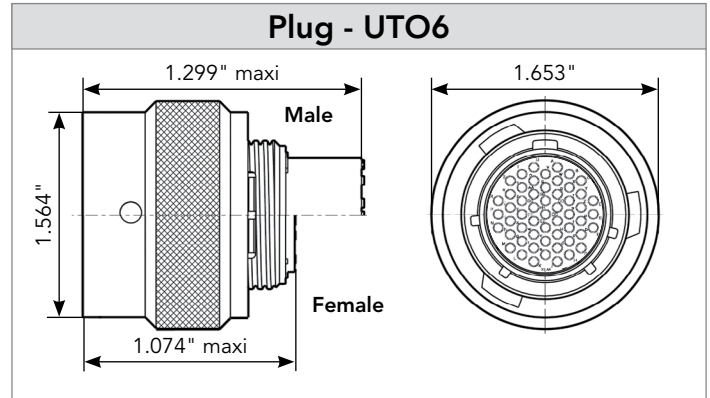
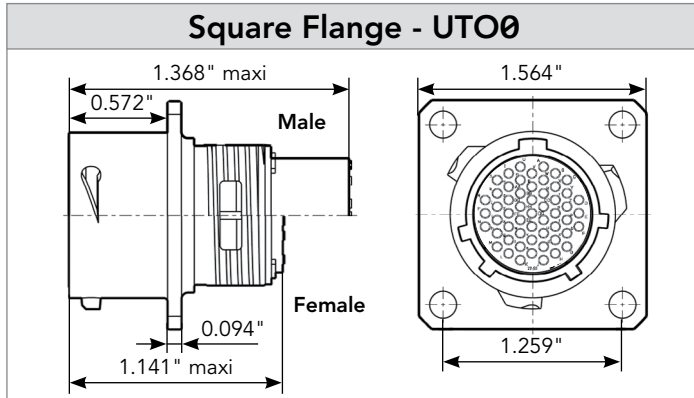
* Other discrimination keying option, see page 180

Backshells

Backshell type	Shielding	Cable range (Ø inch) min/max	Part number	
			Short version	Long version
Short cable gland with strain relief nut for water protected applications (IP68 & IP69K) (Fig.1)	-	0.452"/0.708"	UT022JCS	UT022JC
Short cable gland with large strain relief nut for water protected applications (IP68 & IP69K) (Fig.2)	-	0.590"/0.944"	UT022JCSL	UT022JCL
Short shielded cable gland with strain relief nut for water protected applications (IP68 & IP69K) (Fig.3)	✓	0.531"/0.708"	UT0S22JCS	UT0S22JC
Short shielded cable gland with large strain relief nut for water protected applications (IP68 & IP69K) (Fig.4)	✓	0.669"/0.944"	UT0S22JCSL	UT0S22JCL
Metal cable clamp with strain relief (Fig.5)	-	0.759"	UT022AC	
Metal shrink boot adaptor (Fig.6)	-	-	UT022AD	
Metal right angle cable clamp with strain relief nut (Fig.7)	-	0.354"/0.826"	UT022LPGN	
Shielded cable clamp with plastic strain relief nut (Fig.8)	✓	0.354"/0.826"	UT0S22JCPGN	
Cable clamp with plastic strain relief nut (Fig.8)	-	0.354"/0.826"	UT022JCPGN	

2255 (Shell size 22, 55x#20)

Dimensions



Backshells (for Mated Connector Length: See Page 153)

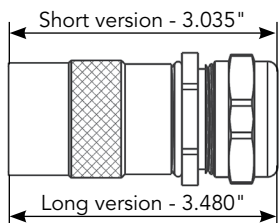


Fig. 1

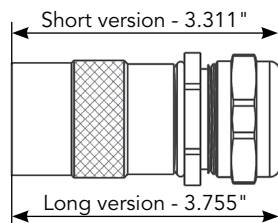


Fig. 2

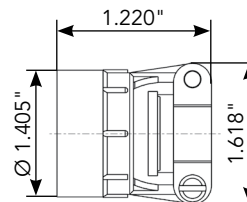


Fig. 5

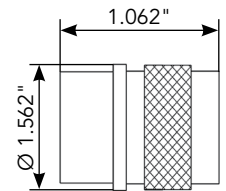


Fig. 6

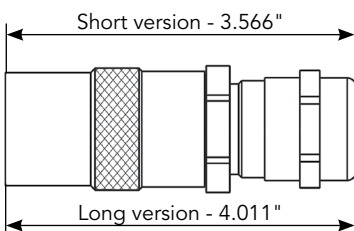


Fig. 3

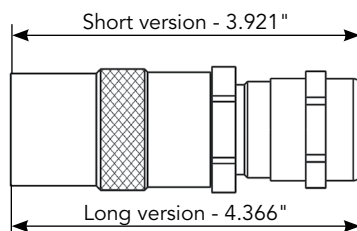


Fig. 4

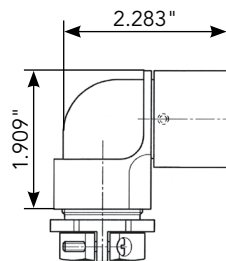


Fig. 7

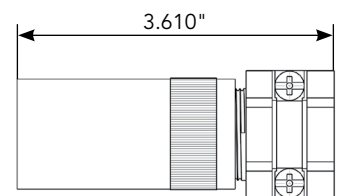


Fig. 8

Note: all dimensions are in inches

2255 (Shell size 22, 55x#20)

Accessories and Tooling

Dustcap (Receptacle)



Part number
UT022DCG*

Dustcap (Plug)




Part number
UTG622DCG*

Handle (without Head)




Part number
SHANDLES

Tool Kit



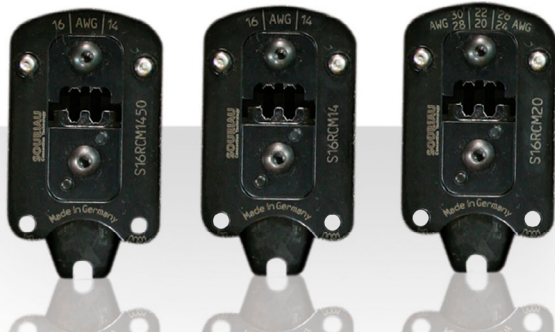
Part number
TOOLKIT

Gasket



Part number / Neoprene
UTFD18B

Crimp Tooling (without Shandles)



Contacts	Contact size	Part number of head
RM/RC 24W3K ⁽¹⁾	Standard contacts #20 Ø 1mm	S20RCM*
RM/RC 20W3K ⁽¹⁾		S20RCM*
RM/RC 18W3K ⁽¹⁾		S20RCM*
SM/SC 24WL3 ⁽¹⁾⁽²⁾		S20SCM20*
SM/SC 20WL3 ⁽¹⁾⁽²⁾		S20SCM20*

(1): Example of plating, for other plating options see page 129
 (2): loose contact
 * Heads to be used with handle PN: SHANDLES



Extraction Tool #20



Part number
RX20D44

* For dustcap without chain, skip "G", e.g. UT024DC

2255 (Shell size 22, 55x#20)

Contacts

#20	Contact type	AWG	Part number		Max wire Ø	Max insulator Ø
			Male	Female		
Crimp	Machined	26-24	RM24W3K	RC24W3K	0.031"	0.062"
		22-20	RM20W3K	RC20W3K	0.045"	0.062"
		20-18	RM18W3K	RC18W3K	0.051"	0.082"
	Stamped & Formed reeled contacts <small>See note (2) for loose piece</small>	26-24	SM24W3TK6 ⁽¹⁾⁽²⁾	SC24W3TK6 ⁽¹⁾⁽²⁾	-	0.035"-0.062"
		26-24	SM24W3S26 ⁽¹⁾⁽²⁾	SC24W3S25 ⁽¹⁾⁽²⁾	-	0.035"-0.062"
		22-20	SM20W3TK6 ⁽¹⁾⁽²⁾	SC20W3TK6 ⁽¹⁾⁽²⁾	-	0.047"-0.082"
		22-20	SM20W3S26 ⁽¹⁾⁽²⁾	SC20W3S25 ⁽¹⁾⁽²⁾	-	0.047"-0.082"
	PCB	Machined ⁽³⁾	-	RMW5016K	RCW5016K	-

(1): Example of plating, for other plating options see page 129

(2): For loose piece contact packaging, place "L" in part number. Example: SM20WL3TK6

(3): For dimensions see page 132

Note: all dimensions are in inches

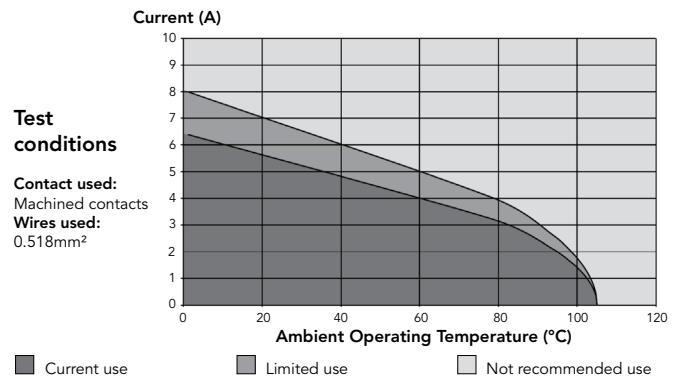
Electrical Characteristics

UL
3A 250V UL94 V-0

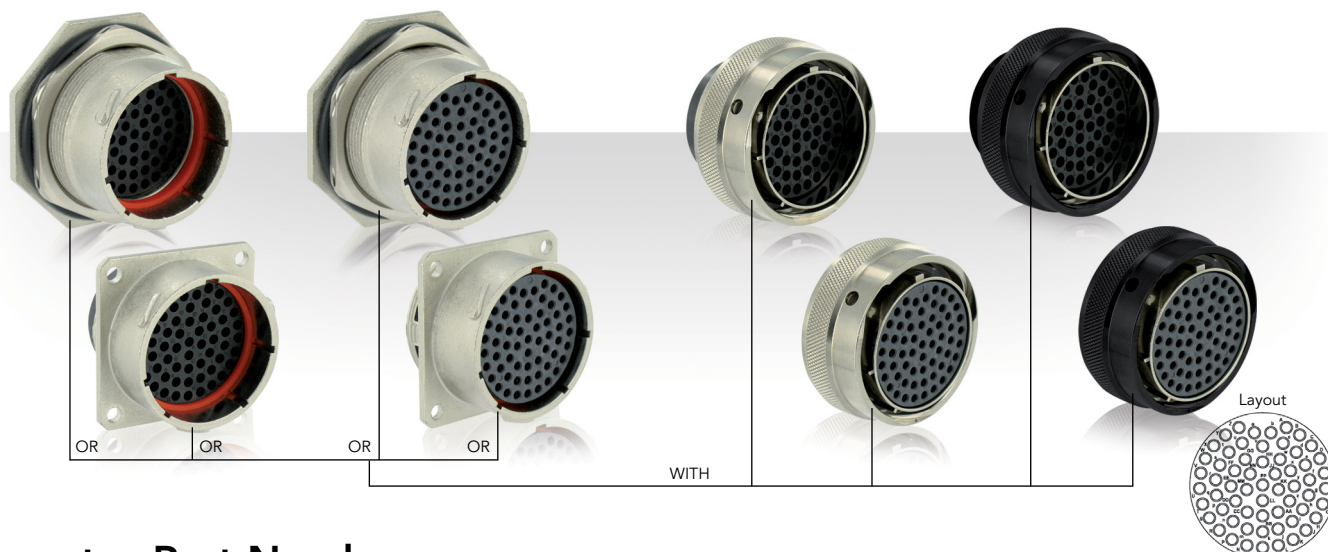
CSA
2A 250V UL94 V-0

IEC
3A 80V 1.5kV 3

UTO 2255 Derating Curves



2461 (Shell size 24, 61x#20)



Connector Part Numbers

Drilling pattern see page 179

Contact type	Connector type	Sealing	Salt spray	Part number*	
				Male insert	Female insert
Contacts supplied separately see page 123	Square flange receptacle	IP67	96h	UT0W02461PH	UT0W02461SH
		IP68 & IP69K	96h	UT0W02461PH6	UT0W02461SH6
	Plug	IP67, IP68 & IP69K	48h	UT0W62461PH	UT0W62461SH
		IP67, IP68 & IP69K	96h	UT0W62461PH02_(Black)	UT0W62461SH02_(Black)
	Jam nut receptacle	IP67	48h	UT0W72461PH	UT0W72461SH
			48h	UT0W72461PH6	UT0W72461SH6
		IP68 & IP69K	96h	UT0W72461PH01	UT0W72461SH01
			96h	UT0W72461PH601	UT0W72461SH601

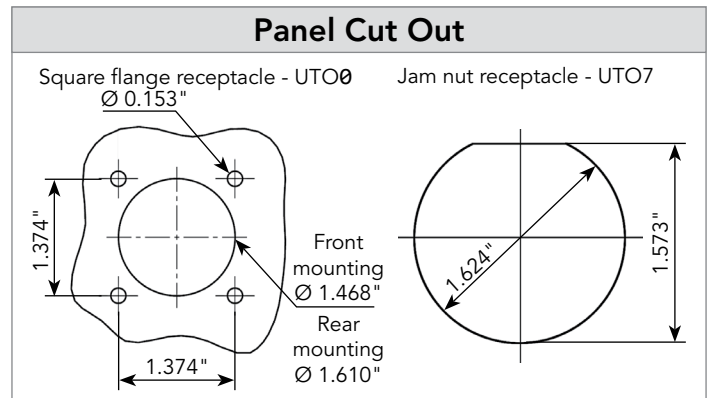
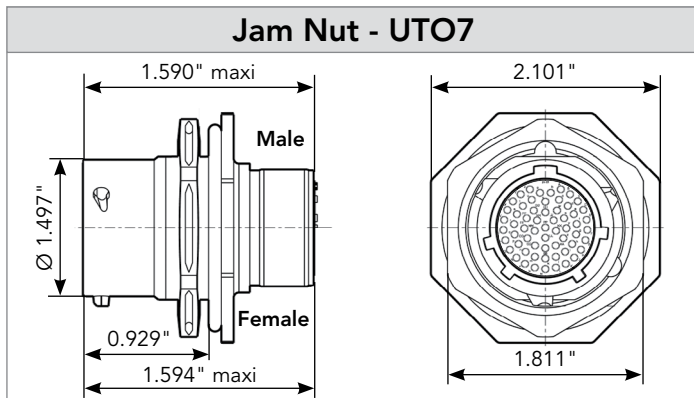
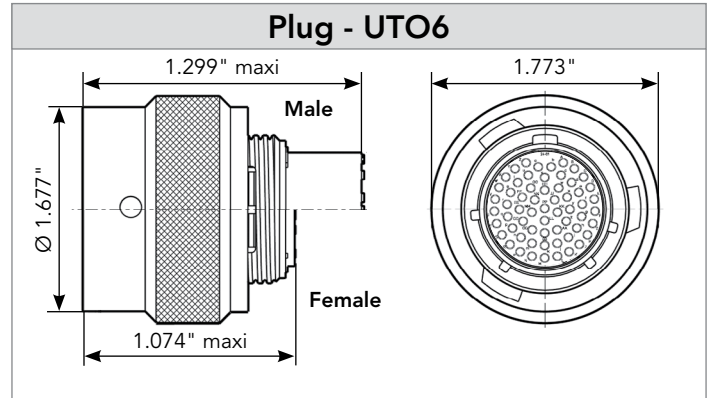
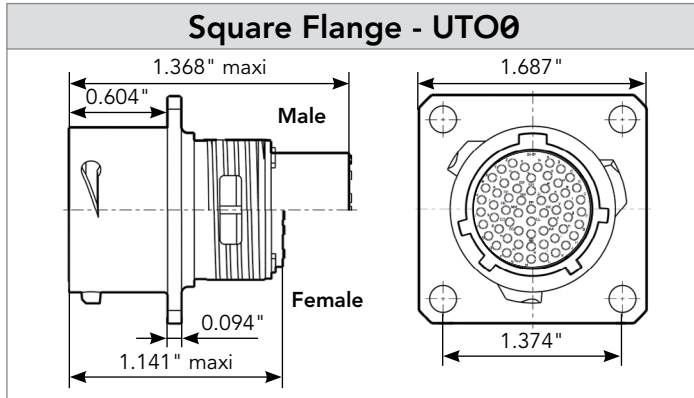
* Other discrimination keying option, see page 180

Backshells

Backshell type	Shielding	Cable range (Ø inch) min/max	Part number	
			Short version	Long version
Short cable gland with strain relief nut for water protected applications (IP68 & IP69K) (Fig.1)	-	0.452"/0.708"	UT024JCS	UT024JC
Short cable gland with large strain relief nut for water protected applications (IP68 & IP69K) (Fig.2)	-	0.590"/0.944"	UT024JCSL	UT024JCL
Short shielded cable gland with strain relief nut for water protected applications (IP68 & IP69K) (Fig.3)	✓	0.531"/0.708"	UT0S24JCS	UT0S24JC
Short shielded cable gland with large strain relief nut for water protected applications (IP68 & IP69K) (Fig.4)	✓	0.669"/0.944"	UT0S24JCSL	UT0S24JCL
Metal cable clamp with strain relief (Fig.5)	-	0.811"	UT024AC	
Metal shrink boot adaptor (Fig.6)	-	-	UT024AD	
Metal right angle cable clamp with strain relief nut (Fig.7)	-	0.669"/1.181"	UT024LPGN	
Shielded cable clamp with plastic strain relief nut (Fig.8)	✓	0.669"/1.161"	UT0S24JCPGN	
Cable clamp with plastic strain relief nut (Fig.8)	-	0.669"/1.161"	UT024JCPGN	

2461 (Shell size 24, 61x#20)

Dimensions



Backshells (for Mated Connector Length: See Page 153)

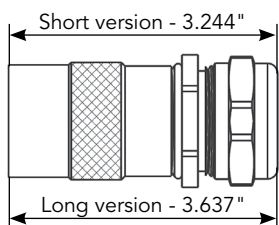


Fig. 1

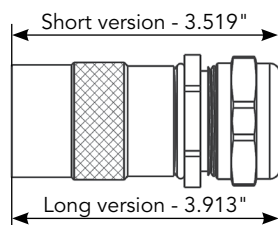


Fig. 2

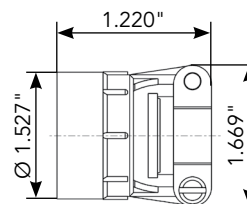


Fig. 5

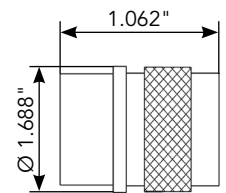


Fig. 6

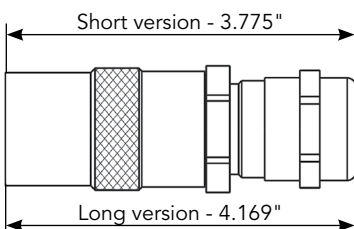


Fig. 3

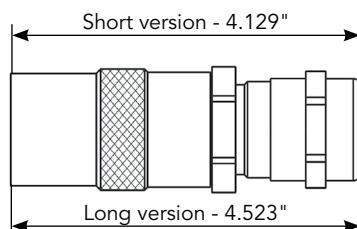


Fig. 4

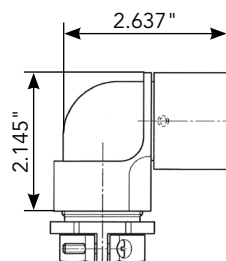


Fig. 7

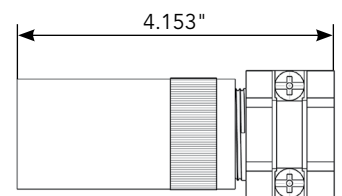


Fig. 8

Note: all dimensions are in inches

2461 (Shell size 24, 61x#20)

Accessories and Tooling

Dustcap (Receptacle)



Part number
UT024DCG*

Dustcap (Plug)




Part number
UTG624DCG*

Handle (without Head)




Part number
SHANDLES

Tool Kit



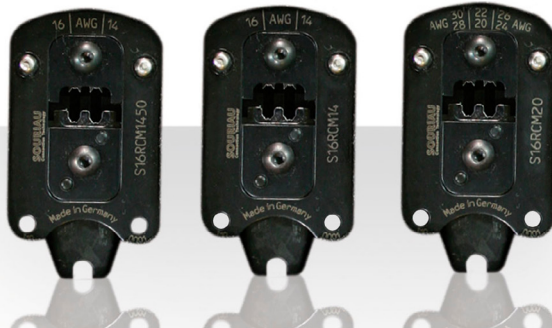
Part number
TOOLKIT

Gasket



Part number / Neoprene
UTFD19B

Crimp Tooling (without Shandles)



Contacts	Contact size	Part number of head
RM/RC 24W3K ⁽¹⁾	Standard contacts #20 Ø 1mm	S20RCM*
RM/RC 20W3K ⁽¹⁾		S20RCM*
RM/RC 18W3K ⁽¹⁾		S20RCM*
SM/SC 24WL3 ⁽¹⁾⁽²⁾		S20SCM20*
SM/SC 20WL3 ⁽¹⁾⁽²⁾		S20SCM20*

(1): Example of plating, for other plating options see page 129
 (2): loose contact
 * Heads to be used with handle PN: SHANDLES



Extraction Tool #20



Part number
RX20D44

* For dustcap without chain, skip "G", e.g. UT024DC

2461 (Shell size 24, 61x#20)

Contacts

#20	Contact type	AWG	Part number		Max wire Ø	Max insulator Ø
			Male	Female		
Crimp	Machined	26-24	RM24W3K	RC24W3K	0.031"	0.062"
		22-20	RM20W3K	RC20W3K	0.045"	0.062"
		20-18	RM18W3K	RC18W3K	0.051"	0.082"
	Stamped & Formed reeled contacts <small>See note (2) for loose piece</small>	26-24	SM24W3TK6 ⁽¹⁾⁽²⁾	SC24W3TK6 ⁽¹⁾⁽²⁾	-	0.035"-0.062"
		26-24	SM24W3S26 ⁽¹⁾⁽²⁾	SC24W3S25 ⁽¹⁾⁽²⁾	-	0.035"-0.062"
		22-20	SM20W3TK6 ⁽¹⁾⁽²⁾	SC20W3TK6 ⁽¹⁾⁽²⁾	-	0.047"-0.082"
		22-20	SM20W3S26 ⁽¹⁾⁽²⁾	SC20W3S25 ⁽¹⁾⁽²⁾	-	0.047"-0.082"
PCB	Machined ⁽³⁾	-	RMW5016K	RCW5016K	-	-

(1): Example of plating, for other plating options see page 129

(2): For loose piece contact packaging, place "L" in part number. Example: SM20WL3TK6

(3): For dimensions see page 132

Note: all dimensions are in inches

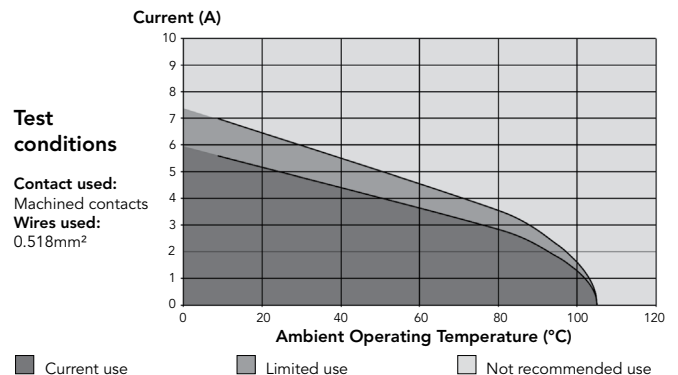
Electrical Characteristics

UL
3A 250V UL94 V-0

CSA
2A 250V UL94 V-0

IEC
3A 80V 1.5kV 3

UTO 2461 Derating Curves



UTO SERIES

Contacts

■ Description	126
■ Contact Plating Selector Guide	127
■ Contact Selector Guide	128
■ Packaging	128
■ Crimp Contacts	129
■ #16 Coaxial Contacts	131
■ PCB Contacts	132
■ Fiber Optic Contacts	133

Contacts



Description

The UTO series is delivered without contacts and offers the unique feature to use the same style contact in any layout with the same active part size (i.e. #20, #16, #12, etc.). This provides our customers with an easy solution to buy only one type of contact to equip all their connectors even if housings/shell sizes are different.

This provides the benefit of standardization and subsequent reduced inventory costs. In addition, it eliminates the need for added tooling and simplifies the assembly process. SOURIAU contacts are designed for simple snap-in installation and further eliminate the need for insertion tooling.

In addition to the below "crimp" style contact options, the UTO series can also be equipped with PCB contacts.

Crimp contacts are available in different versions:



• machined

• stamped & formed

• coaxial

• fiber optic

Contact Plating Selector Guide

Once the contact size has been selected, the next step is to decide on which type to use. SOURIAU offers two main types of electrical contacts:

- Machined
- Stamped & Formed

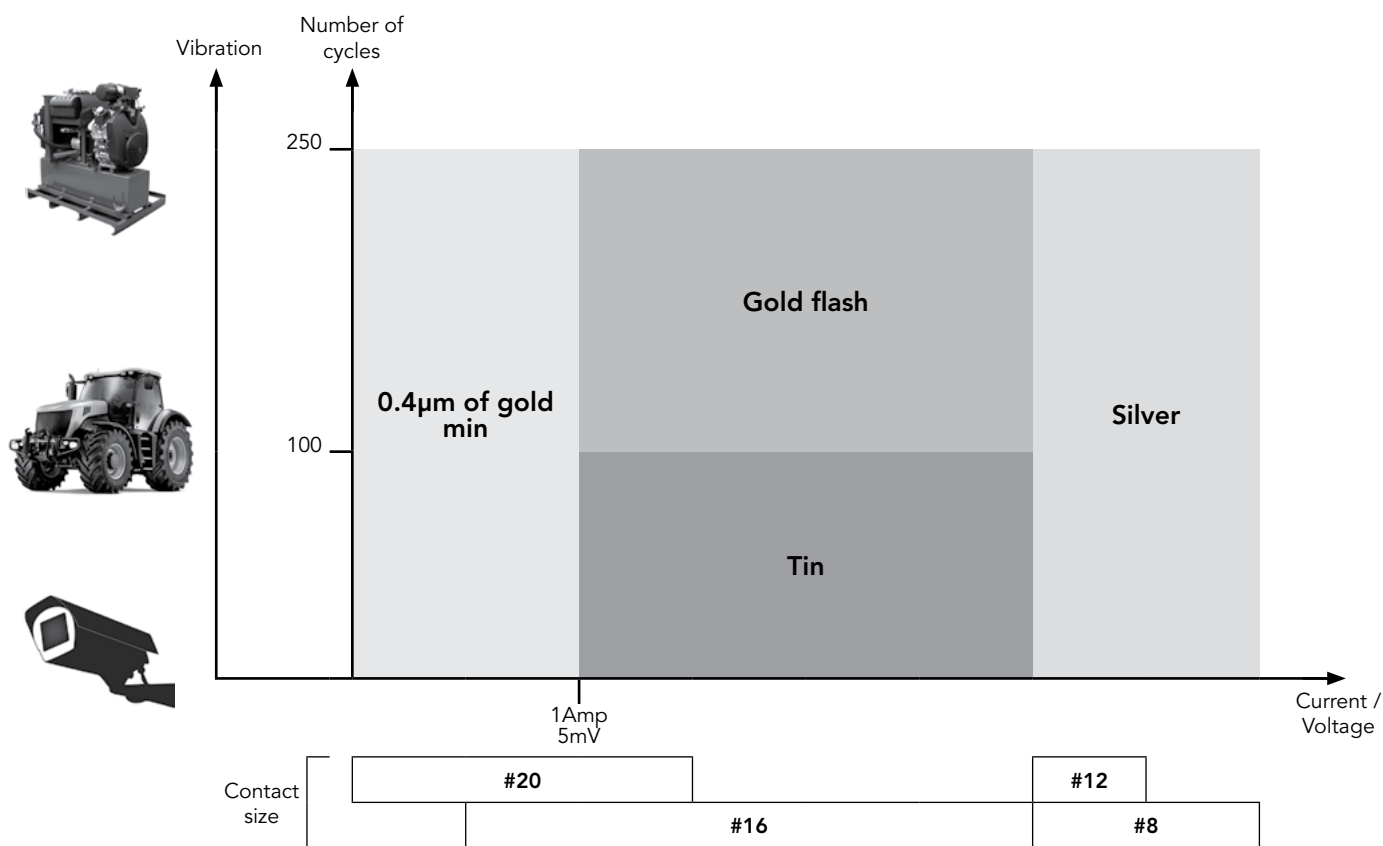
Machined contacts are generally chosen as a better solution for power applications or when lower quantities are needed.

Stamped & formed contacts offer the ability to be crimped automatically which makes them more suitable for high volume production applications.

The next decision to make is: What plating should I choose?

The graph below can help guide you to plating recommendations based on application, mating cycles and current/voltage needs.

Note: do not mix different plating (i.e. tin plated pin contacts with gold plated socket contacts).



Contact Selector Guide

Contacts supplied separately

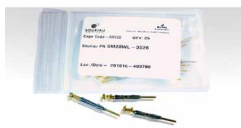
Electrical characteristics: contact resistance		
#20 Ø1mm	Machined	< 6mΩ
	Stamped & formed	< 6mΩ
#16 Ø1.6mm	Machined	< 3mΩ
	Stamped & formed	< 6mΩ
#12 Ø2.4mm	Machined	< 5mΩ
#8 Ø3.6mm	Machined	< 5mΩ

Available plating options	
A	2μ Ni + 2μ Ag
J	Gold flash over 2μ Ni
K	Min 0.4μ gold over 2μ Ni
S31	Active part: 0.4μ gold over Ni Crimp area: Nickel
S18	Active part: 0.75μ gold min over 2μ Ni Crimp area: 1.3μ tin over Ni Other: Nickel
S25 S26	Active part: 0.75μ Au over Ni Crimp area: flash Au over Ni
TK6	2-5μ Sn pre-plated
D70	Superseded by S31
S6	Superseded by S18
Other platings on request (contact supplied separately)	
T	T: 2μ Ni mini all over + 3 to 5 μm Sn all over
D28	0.75μ gold over Ni

Packaging

Due to the wide variety of applications, contact packaging is offered for small series (bulk package) and high volume production (reeled contacts):

Size contacts #20 & #16



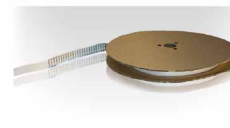
- 25 pieces loose package (stamped & formed contacts)



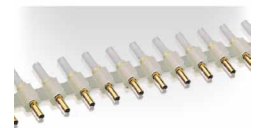
- 50 pieces bulk package (machined contacts)



- 1000 pieces bulk package (machined contacts)



- 3000 pieces reeled (stamped & formed contacts)



- 5000 pieces reeled (machined contacts)

Size contacts #12 & #8



- 100 pieces bulk package (machined contacts)

Note: 1,000 pieces bulk package available by adding 1000 at the end of the part number: e.g. RC16M23K1000
2,000 pieces reeled package available by adding K at the beginning of the part number: e.g. KRC16M23K

Crimp Contacts

Standard Version



Contact size	Type	Wire size		Part number		Max wire Ø	Max insulator Ø	Available plating see page 128	
		AWG	mm ²	Male	Female				
#20 Ø1 mm	Machined	26-24	0.13-0.20	RM24W3K	RC24W3K		1.58 max	K	
	Stamped & Formed	26-24	0.13-0.25	SM24W3 - (1)	SC24W3 - (1)		0.89-1.58	TK6 S25 (female) S26 (male)	
				SM24WL3 - (2)	SC24WL3 - (2)				
	Machined	22-20	0.32-0.52	0.35-0.5	RM20W3K	RC20W3K		1.58 max	K
					SM20W3 - (1)	SC20W3 - (1)			
Stamped & Formed	22-20	0.35-0.5	0.35-0.5	SM20WL3 - (2)	SC20WL3 - (2)		1.17-2.08	TK6 S25 (female) S26 (male)	
				SM20WL3 - (2)	SC20WL3 - (2)				
Machined	20-18	0.50-0.93		RM18W3K	RC18W3K		2.10 max	K	
#16 Ø1.6 mm	Machined	30-28	0.05-0.08	RM28M1 -	RC28M1 -	0.55	1.1	K, J	
	Machined	26-24	0.13-0.2	RM24M9 -	RC24M9 -	0.8	1.6	K, J	
	Stamped & Formed	26-24	0.13-0.25	0.13-0.25	SM24M1 - (1)	SC24M1 - (1)	0.89-1.28	No insulation grip	S31, S18, TK6
					SM24ML1 - (2)	SC24ML1 - (2)			
	Machined	22-20	0.32-0.52	0.32-0.52	RM20M13 -	RC20M13 -	1.18	1.8	K, J
					RM20M12 -	RC20M12 -		2.2	
	Stamped & Formed	22-20	0.35-0.5	0.35-0.5	SM20M1 - (1)	SC20M1 - (1)	1.17-2.08	No insulation grip	S31, S18, TK6
					SM20ML1 - (2)	SC20ML1 - (2)			
	Machined	20-16	0.52-1.5		RM16M23 -	RC16M23 -	1.8	3.2	K, J
	Stamped & Formed	18-16	0.8-1.5	0.8-1.5	SM16M1 - (1)	SC16M1 - (1)	3.0	No insulation grip	S31, S18, TK6
SM16ML1 - (2)					SC16ML1 - (2)				
Stamped & Formed	18-16	0.8-1.5	0.8-1.5	SM16M11 - (1)	SC16M11 - (1)	2.0-3.0	Insulation grip	S31, S18, TK6	
				SM16ML11 - (2)	SC16ML11 - (2)				
Machined	16-14	1.5-2.5		RM14M30 -	RC14M30 -	2.28	3.2	K, J	
Stamped & Formed	14	2.0-2.5	2.0-2.5	SM14M1 - (1)	SC14M1 - (1)	3.2	No insulation grip	S31, S18, TK6	
				SM14ML1 - (2)	SC14ML1 - (2)				
#12 Ø2.4 mm	Machined	22	0.13-0.4	82911457N -	82911456 -	-	4.9	A, K	
		20	0.5	82911459N -	82911458 -				
		18	0.75-1.0	82911461N -	82911460 -				
		16	1.5	82911463N -	82911462 -				
		14	2.5	82911465N -	82911464 -				
		12	4	82911467N -	82911466 -				
#8 Ø3.6 mm	Machined	16	1.5	82913601A	82913600A	-	6.5	A	
		14	2.5	82913603A	82913602A				
		12	4	82913605A	82913604A				
		10	6.0	82913607A	82913606A				
		8	10.0	82913609A	82913608A				

(1) contact reeled (2) loose contact
Example: RM24W3K - Size #20, Machined, AWG24 wire.

Note: all dimensions are in mm

Crimp contacts (continued)

First Mate Last Break Contacts

Contact size	Type	Wire size		Part number		Max wire Ø (mm)	Max insulator Ø (mm)	Color band		Available plating see p. 128
		AWG	mm ²	Male	Female			Front	Rear	
#16 Ø1.6 mm Longer male contact (+1mm)	Machined	30-28	0.05-0.08	RM28M1GE1-	-	0.55	1.1	-	Red	KorJ
		26-24	0.13-0.2	RM24M9GE1-		0.8	1.6	Red	Red	
		22-20	0.32-0.52	RM20M13GE1-		1.18	1.8	Black	Red	
				RM20M12GE1-			2.2	Blue	Red	
		20-16	0.52-1.5	RM16M23GE1-		1.8	3.2	-	Red	
		16-14	1.5-2.5	RM14M30GE1-		2.28	-	-	Red	
#16 Ø1.6 mm Shorter female contact (-0.7mm)	Machined	30-28	0.05-0.08	-	RC28M1GE7-	0.55	1.1	-	Blue	KorJ
		26-24	0.13-0.2		RC24M9GE7-	0.8	1.6	Red	Blue	
		22-20	0.32-0.52		RC20M13GE7-	1.18	1.8	Black	Blue	
					RC20M12GE7-		2.2	Blue	Blue	
		20-16	0.52-1.5		RC16M23GE7-	1.8	3.2	-	Blue	
		16-14	1.5-2.5		RC14M30GE7-	2.28	-	-	Blue	

How to make FMLB / LMFB connection

Contact 1 \ Contact 2	Standard male contact	Standard female contact	Longer male contact
Standard male contact		✓	
Standard female contact	✓		✓ FMLB
Shorter female contact	✓ LMFB		

First Mate Last Break contacts should be chosen only if the cavity is not marked with the ground symbol. For cavities marked with the ground symbol, standard contacts will fulfill the same role as a first mate, last break contact used in a standard cavity.



Ground symbol

Note: all dimensions are in mm

#16 Coaxial Contacts

Coaxial Contact Range

SOURIAU provides 2 types of coaxial contacts suitable for 50 or 75Ω, coaxial cable or twisted pair cable.

Monocrimp coaxial contact

- The monocrimp one-piece coaxial contacts offer high reliability plus the economic advantage of a 95% reduction in installation time over conventional assembly methods.
- This economy is achieved by simultaneously crimping both the inner conductor and outer braid or drain wire.



Multipiece crimp coaxial contact

- The inner conductor and outer braid is crimped individually.
- The thermoplastic insulating bushing in the outer body is designed to accept and permanently retain the inner contact.
- An outer ferrule is used to connect the braid to the outer contact and provide cable support to ensure against bending and vibration.



Suitable for Coaxial cable or Twisted cable

- For jacket diameter from 1.78 to 3.05mm
Inner conductor up to 2.44mm diameter



- For jacket diameter from 0.64 to 1.45mm
Inner conductor from AWG30 to AWG24



Contacts for coaxial cable summary

Contact type	Contact range		Contact part number with cable combination	Cabling notice
	Male contact	Female contact		
Multipiece	RMDXK10D28	RCDXK1D28	See page 168	See pages 172 & 173
Monocrimp	RMDX60xxD28	RCDX60xxD28		See page 174

Contacts for twisted pairs cable summary

Contact type	Contact range		Contact part number with cable combination	Cabling notice
	Male contact	Female contact		
Multipiece	RMDXK10D28 + YORK090	RCDXK1D28 + YORK090	See page 169	See page 170
Monocrimp	RMDX60xxD28	RCDX60xxD28		See page 171

PCB Contacts

PCB Contacts

PCB soldering

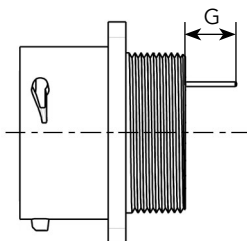
The UTO series can be used in a wave soldering process, but not reflow soldering process. All high temperature processes are prohibited.



Contact size	Type	Part number		Plating see page 128
		Male	Female	
#20 Ø1mm	Short version	RMW50A7K	RCW50A7K	K
	Long version	RMW5016K	RCW5016K	
#16 Ø1.6mm	Short version	RM20M12E8-	RC20M12E8-	K or J
	Long version	RM20M12E83-	RC20M12E83- RC20M12E84-	
#8 Ø3.6mm	-	82911685NPC	82911684NPC	2 µm Ni
	-	82911685NAPC	82911684NAPC	2 µm Ni + 0.6 µm Ag

Nominal length G (mm)

Dimension of dipsolder contacts out of connector (contacts to be ordered separately).



UTO0 and UTOW0

Connector size	Pin contact				Socket contact				
	RM20M 12E8K*	RM20M 12E83K*	RMW 50A7K	RMW 5016K	RC20M 12E8K*	RC20M 12E83K*	RC20M 12E84K*	RCW 50A7K	RCW 5016K
10	4.1	9.2	9.51	10.41	4.65	8.5	4.65	2.4	3.04
12	4.4	9.2	9.51	10.41	3.3	8.5	4.65	2.4	3.04
14	4.1	9.2	9.51	10.41	3.3	8.5	5.35	2.4	3.04
16	4.1	9.2	9.51	10.41	3.3	8.5	4.65	2.4	3.04
18	-	9.2	5	6	-	-	4.65	-	-
20	-	4.85	5	6	-	-	-	-	-
22	-	4.85	5	6	-	-	-	-	-
24	-	3.35	3.6	4.6	-	-	-	-	-

UTO7 and UTOW7

Connector size	Pin contact				Socket contact				
	RM20M 12E8K*	RM20M 12E83K*	RMW 50A7K	RMW 5016K	RC20M 12E8K*	RC20M 12E83K*	RC20M 12E84K*	RCW 50A7K	RCW 5016K
10	4.1	9.2	9.51	10.41	4.65	8.5	4.65	2.4	3.04
12	4.4	9.2	9.51	10.41	3.3	8.5	4.65	2.4	3.04
14	4.1	9.2	9.51	10.41	3.3	8.5	5.35	2.4	3.04
16	4.1	9.2	9.51	10.41	3.3	8.5	4.65	2.4	3.04
18	-	9.2	5	6	-	-	4.65	-	-
20	-	4.85	5	6	-	-	-	-	-
22	-	4.85	5	6	-	-	-	-	-
24	-	3.35	3.6	4.6	-	-	-	-	-

* Plating indication see page 128

Note: all dimensions are in mm

Fiber Optic Contacts

Description

Size 16 fiber optic contacts for UTO and other TRIM TRIO® connectors

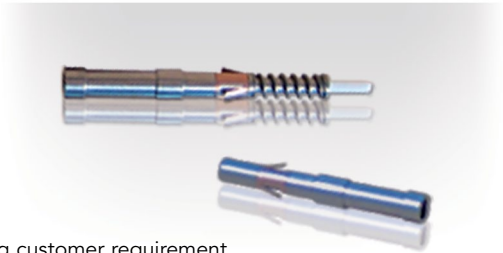
Size 16 fiber optic contacts are designed for the integration of optical links in UTO and other TRIM TRIO® cable connectors.

The Fiber optic contacts are designed to accommodate:

- Plastic Optical Fiber (POF) 0.039" core and 0.086" jacket

Typical features and benefits are:

- Socket contact is spring loaded to avoid any air gap between the two optical faces.
- Low insertion loss is provided by high precision pieces.
- Single jumpers, multiway harness and active device housings can be supplied regarding customer requirement.



Technical Characteristics

Performance

- Fiber type:POF
- Wave length: 650 nm
- Optical insertion loss (typ.): 2 dB max.
- Jacketed external diameter:2.2mm
- Temperature range:-25°C to +70°C
- Cable retention:49N
- Mating cycles without cleaning: 50
- Max. mating cycles: 500

Construction

- Contact body: Copper alloy

Connector accommodation

Any TRIM TRIO® size 16 contact can be used in any contact position in any connector in the TRIM TRIO® size 16 interconnection system: UTP, UTS, UTG, UTO.

Fiber Optic Contacts (Continued)

Ordering information	
POF Contacts (Plastic Optical Fiber)	
Male contact	Female contact
RMPOF1000	RCPOF1000B

POF Contact (Plastic Optical Fiber)																																					
<p>STANDARD TOOLING KIT - P/N 80MS0004 The <i>standard tooling kit</i> is made of the part numbers below that can be ordered separately as well.</p> <table border="1"> <thead> <tr> <th>Part numbers</th> <th>Descriptions</th> </tr> </thead> <tbody> <tr> <td>80WD0005</td> <td>Stripping tool</td> </tr> <tr> <td>80WD0025</td> <td>Automatic stripping tool for Ø 0.5 mm, 0.6 mm, 0.7 mm & 3.8 mm</td> </tr> <tr> <td>80WM0006</td> <td>Ruler</td> </tr> <tr> <td>80WP0005</td> <td>Polishing plate</td> </tr> <tr> <td>80WP0013</td> <td>Non slip base (to hold the polishing plate)</td> </tr> <tr> <td>80WP0014</td> <td>Polishing disk (grain size 9µm)</td> </tr> <tr> <td>80WP0018</td> <td>Polishing tool</td> </tr> <tr> <td>80WP0019</td> <td>Polishing disk (grain size 30µm)</td> </tr> <tr> <td>80WS0002</td> <td>Crimping plier</td> </tr> </tbody> </table>	Part numbers	Descriptions	80WD0005	Stripping tool	80WD0025	Automatic stripping tool for Ø 0.5 mm, 0.6 mm, 0.7 mm & 3.8 mm	80WM0006	Ruler	80WP0005	Polishing plate	80WP0013	Non slip base (to hold the polishing plate)	80WP0014	Polishing disk (grain size 9µm)	80WP0018	Polishing tool	80WP0019	Polishing disk (grain size 30µm)	80WS0002	Crimping plier	<p>SPECIFIC TOOLING LIST - Can only be ordered separately</p> <table border="1"> <thead> <tr> <th>Part numbers</th> <th>Descriptions</th> </tr> </thead> <tbody> <tr> <td>80WG0010</td> <td>Needle</td> </tr> <tr> <td>80WG0015</td> <td>Capsule</td> </tr> <tr> <td>80WG0016</td> <td>Syringe</td> </tr> <tr> <td>80WN0005</td> <td>Dry air spray</td> </tr> <tr> <td>80WN0006</td> <td>Optical paper</td> </tr> <tr> <td>80WN0012</td> <td>Dropper bottle</td> </tr> <tr> <td>80WN0008</td> <td>Wiping solvent</td> </tr> </tbody> </table>	Part numbers	Descriptions	80WG0010	Needle	80WG0015	Capsule	80WG0016	Syringe	80WN0005	Dry air spray	80WN0006	Optical paper	80WN0012	Dropper bottle	80WN0008	Wiping solvent
Part numbers	Descriptions																																				
80WD0005	Stripping tool																																				
80WD0025	Automatic stripping tool for Ø 0.5 mm, 0.6 mm, 0.7 mm & 3.8 mm																																				
80WM0006	Ruler																																				
80WP0005	Polishing plate																																				
80WP0013	Non slip base (to hold the polishing plate)																																				
80WP0014	Polishing disk (grain size 9µm)																																				
80WP0018	Polishing tool																																				
80WP0019	Polishing disk (grain size 30µm)																																				
80WS0002	Crimping plier																																				
Part numbers	Descriptions																																				
80WG0010	Needle																																				
80WG0015	Capsule																																				
80WG0016	Syringe																																				
80WN0005	Dry air spray																																				
80WN0006	Optical paper																																				
80WN0012	Dropper bottle																																				
80WN0008	Wiping solvent																																				

UTO SERIES

Technical Information

■ Tooling	139
■ Crimping Instructions	140
■ Handle & Interchangeable Heads	142
■ Extraction Tools	143
■ Dimensions Overmolded Harnesses	143
■ Assembly Instructions	144
■ Mated Connector Length	153
■ Rated Current & Working Voltage	155
■ Shielding Effectiveness/Corrosion	156
■ UL94 + UL1977	157
■ IEC 61984 & IP Codes Explained	160
■ IEC 61140 Explained	162
■ What is NEMA Rating ?	163
■ Ethernet for the Layman	164

Automatic Crimping Tools



SOURIAU

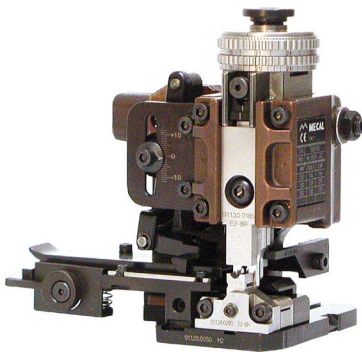
Mecal is a leader in manufacturing tooling for crimping terminals over a stripped wire.

Established in 1976, Mecal has become one of the world's leading companies dedicated to the design and manufacture of semi automatic production tools for strip fed, open barrel crimp terminals, serving the Automotive, Telecom and Datacom industries.

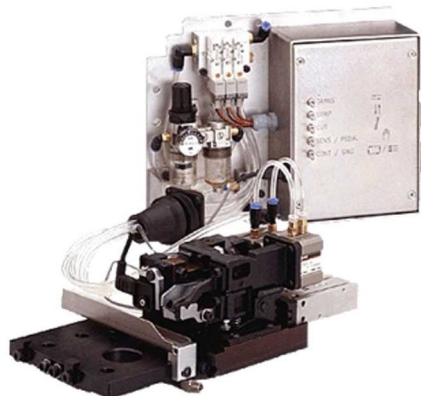
The extreme environment interconnect specialist "from deep sea to deep space".

SOURIAU designs, manufactures and markets high performance interconnect solutions for severe environments dedicated to the aerospace, defense, light and heavy industry markets.

SOURIAU has been working in partnership with Mecal for many years. With sales offices located in all major industrial regions of the world, the combined strengths of both organizations has resulted in a truly global solution to all your production tooling needs.



Mini Applicator



Stripper



Presses

Mecal sales network:

<http://www.mecalbystarn.com/>

Tooling

Crimp Tool Table

Standard contacts

Contact size	Part number	Head*	Handles*	Extraction tools	
#20 Ø 1mm	RM/RC 24W3K	S2ØRCM	SHANDLES	RX2ØD44	
	RM/RC 20W3K				
	RM/RC 18W3K				
	SM 24WL3S*(1)	S2ØSCM2Ø			
	SC 24WL3S*(1)				
SM/SC 2ØWL3S*(1)					
#16 Ø 1.6mm	RM/RC 28M1*	S16RCM2Ø		SHANDLES	RX2Ø25GE1
	RM/RC 24M9*				
	RM/RC 2ØM13*				
	RM/RC 2ØM12*				
	RM/RC 16M23*	S16RCM16			
	RM/RC 14M3Ø*	S16RCM14			
	SM/SC 24ML1*	S16SCM2Ø			
	SM/SC 2ØML1*				
	SM/SC 16ML1*	S16SCML1			
	SM/SC 14ML1*	S16SCML11			
SM/SC 16ML11*					

(1) loose contact

* Endurance of SHANDLES & Head tools = 50,000 cycles)

Contact size	Part number	Tool with separate locator			Extraction tools
		Hand tool	Positioner + locator setting		
#12 Ø 2.4mm	82911457N* / 82911456*	M317	VGE1ØØ77A	1-2	51Ø6Ø21Ø924
	82911459N* / 82911458*			2	
	82911461N* / 8291146Ø*			2	
	82911463N* / 82911462*			3	
	82911465N* / 82911464*			3	
	82911467N* / 82911466*			4	
#8 Ø 3.6mm	829136Ø1A / 829136ØØA	M317	VGE1ØØ78A	3	51Ø6Ø21Ø936
	829136Ø3A / 829136Ø2A			3	
	829136Ø5A / 829136Ø4A			4	
	829136Ø7A / 829136Ø6A			5	
	829136Ø9A / 829136Ø8A			6/7	

* see page 129 for plating options and other contact details

Specific contacts (First mate Last break contacts)




Contact size	Part number*	Hand tools (SHANDLES) head	Tool with separate locator			Extraction tools	
			Hand tool	Positioner + locator setting			
#16 Ø 1.6mm Longer RM contact	RM28M1GE1K	S16RCM2Ø	MH86Ø	MH86186	6/8	RX2Ø25GE1	
	RM24M9GE1K						
	RM2ØM13GE1K						
	RM16M23GE1K	S16RCM16					
	RM2ØM12GE1K						
RM14M3ØGE1K	S16RCM14						
#16 Ø 1.6mm Shorter RC contact	RC28M1GE7K	S16RCM2Ø	MH86Ø	MH86164G	4/6		RX2Ø25GE1
	RC24M9GE7K						
	RC2ØM13GE7K						
	RC2ØM12GE7K	S16RCM16			5/7		
	RC16M23GE7K						
	RC14M3ØGE7K	S16RCM14			M317	UH25	

* see page 130 for plating options and other contact details

Coaxial contacts

See coax contacts details on page 131 and cabling notice pages 170 to 174.

Crimping Instructions

Wire Stripping Crimp Version			
	Part number		Stripping length L (inch)
	Male	Female	
Machined contact 	#20 - Ø 1mm		
	RM24W3- / RM20W3- RM18W3-	RC24W3- / RC20W3- RC18W3-	0.188"
	#16 - Ø 1.6mm		
	RM28M1- / RM24M9- RM20M13- / RM20M12-	RC28M1- / RC24M9- RC20M13- / RC20M12-	0.188"
	RM16M23- / RM14M30-	RC16M23- / RC14M30-	0.279"
	#12 - Ø 2.4mm		
	8291 1457- / 8291 1459- 8291 1461- / 8291 1463- 8291 1465- / 8291 1467-	8291 1456- / 8291 1458- 8291 1460- / 8291 1462- 8291 1464- / 8291 1466-	0.275" to 0.314"
#8 - Ø 3.6mm			
8291 3601- / 8291 3603- 8291 3605- / 8291 3607- 8291 3609-	8291 3600- / 8291 3602- 8291 3604- / 8291 3606- 8291 3608-	0.255" to 0.295"	
Stamped & formed	#16 - Ø 1.6mm		
With insulation support	SM24M1- / SM24ML1- SM20M1- / SM20ML1-	SC24M1- / SC24ML1- SC20M1- / SC20ML1-	0.157"
	SM16M11- / SM16ML11-	SC16M11- / SC16ML11-	0.183"
#20 - Ø 1mm			
	SM24W3- / SM24WL3- SM20W3- / SM20WL3-	SC24W3- / SC24WL3- SC20W3- / SC20WL3-	0.157"
Without insulation support	#16 - Ø 1.6mm		
	SM16M1- / SM16ML1-	SC16M1- / SC16ML1-	0.250"
	SM14M1- / SM14ML1-	SC14M1- / SC14ML1-	0.250"

Note: See page 129 for plating options and other contact details

Crimping

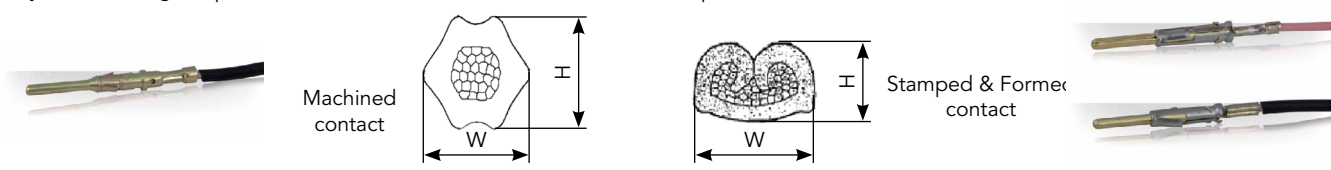
One of the key factors which affects the performance of a connector is the way contacts are terminated. Crimped connections are nowadays seen as the best solution to ensure quality throughout the lifetime of the product. Here are some reasons why we recommend this method of termination for UTO connectors:

Advantages (Extract from the IEC 60352-2):

- Efficient processing of connections at each production level
- Processing by fully-automatic or semi- automatic crimping machines, or with hand operated tools
- No cold-soldered joints
- No degradation of the spring characteristic of female contacts by the soldering temperature

- No health risk from heavy metal and flux steam
- Preservation of conductor flexibility behind the crimped connection
- No burnt, discolored and overheated wire insulation
- Good connections with reproducible electrical and mechanical performances
- Easy production control.

To ensure that the crimp tooling is performing according to original specifications, it is important to carry out regular checks. A common way to check the performance of tooling is with a simple pull test, ideally using a dedicated electric pull tester. Minimum recommended pull forces are indicated in the tables below:



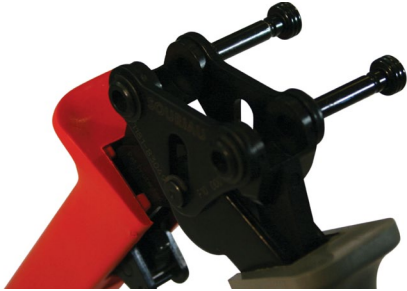
Active contact part	Contact type	Die location on heads	Wire section range	Section (mm ²)	Tensile straight test (mini)	Height (inch) H (±0.075)	Width (mm) W (±0.075)	Tooling head p/n		
Machined contacts size #20 Ø 1 mm	RM24W3K RC24W3K	26/24	AWG 26	0.12 min	15 N	0.037"	0.050"	S20RCM		
			AWG 24	0.25 max	32 N					
	RM20W3K RC20W3K	22/20	AWG 22	0.32 min	40 N	0.049"	0.070"			
			AWG 20	0.50 max	60 N					
	RM18W3K RC18W3K	20/18	AWG 20	0.50 max	60 N	0.053"	0.073"			
			AWG 18	0.82 max	90 N					
S & F contacts size #20 Ø 1 mm	SM24WL3TK6* SC24WL3TK6*	26/24	AWG 26	0.12 min	15 N	0.031"	0.058"	S20SCM20		
			AWG 24	0.25 max	32 N					
	SM20WL3TK6* SC20WL3TK6*	22/20	AWG 22	0.32 min	40 N	0.039"	0.060"			
			AWG 20	0.50 max	60 N					
	Machined contacts size #16 Ø 1.6 mm	RM28M1K* RC28M1K*	30/28	AWG 30	0.05 min	11 N	0.044"		0.055"	S16RCM20
				AWG 28	0.08 max	11 N				
RM24M9K* RC24M9K*		26/24	AWG 26	0.12 min	15 N	0.045"	0.055"			
			AWG 24	0.25 max	32 N					
RM20M13K* RC20M13K*		22/20	AWG 22	0.32 min	40 N	0.049"	0.069"			
			AWG 20	0.50 max	60 N					
	AWG 20		0.32 min	40 N						
RM20M12K* RC20M12K*	22/20	AWG 20	0.50 max	60 N	0.049"	0.069"				
		AWG 20	0.32 min	40 N						
		AWG 20	0.50 max	60 N						
RM16M23K* RC16M23K*	20	AWG 20	0.50 max	60 N	0.065"	0.085"	S16RCM16			
		AWG 18	0.82 max	90 N	0.070"	0.089"				
		AWG 16	1.50 max	150 N	0.077"	0.095"				
RM14M30K* RC14M30K*	16	AWG 16	1.50 min	150 N	0.082"	0.105"	S16RCM14			
		AWG 14	2.50 min	230 N	0.090"	0.109"				
S & F contacts size #16 Ø 1.6 mm	SM24ML1TK6* SC24ML1TK6*	26/24	AWG 26	0.12 min	15 N	0.033"	0.059"	S16SCM20		
			AWG 24	0.25 max	32 N					
	SM20ML1TK6* SC20ML1TK6*	22/20	AWG 22	0.32 min	40 N	0.040"	0.060"			
			AWG 20	0.50 max	60 N					
	SM16ML11TK6* SC16ML11TK6*	18	AWG 18	0.75 min	90 N	0.051"	0.082"	S16SCML11		
			AWG 16	1.50 max	150 N	0.053"	0.082"			
	SM16ML1TK6* SC16ML1TK6*	18	AWG 18	0.75 min	90 N	0.058"	0.079"	S16SCML1		
			AWG 16	1.50 max	150 N	0.066"	0.080"			
	SM14ML1TK6* SC14ML1TK6*	14	AWG 14	2.50 max	230 N	0.070"	0.101"			

*: example of plating options, for other plating see page 129

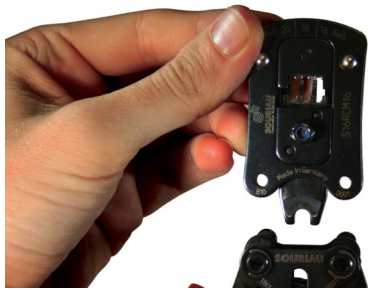
Handle & Interchangeable Heads

User Guide

- 1) Fully close then release the tool, keep it open. Open the 2 pins.



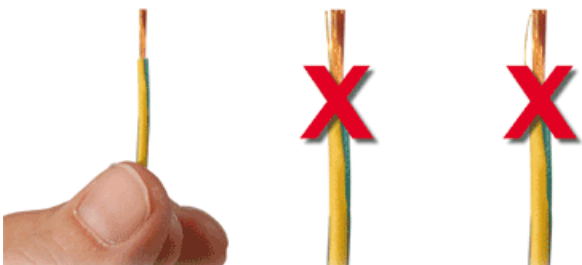
- 2) Choose the adapter head (sold separately), keep vertical and slide it into the handle until the mechanical end.



- 3) Close the two pins simultaneously to maintain the head.



- 4) Strip the cable properly checking the size recommended in the catalog on page 140.



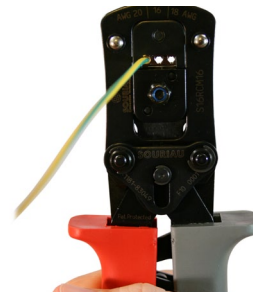
- 5) Place conductors, with no deteriorations, in the bucket contact. All strands to be located in the crimp bucket.



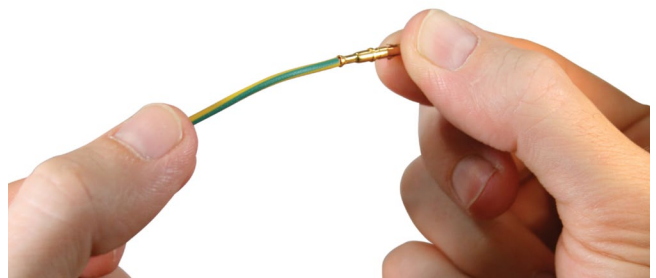
- 6) Position the contact in the bottom of the tool by checking its orientation.



- 7) To crimp contact assembly-cable, tighten sharply the clip to the end of the mechanism.



- 8) To control crimp quality, slightly pull cable with two fingers to control retention.



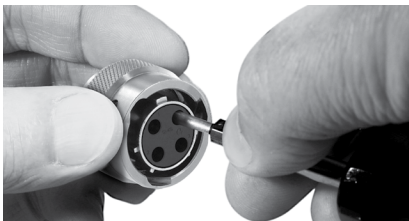
Extraction Tools

Contact size	Extractor
#20	RX20D44
#16	RX2025GE1
#12	51060210924
#8	51060210936



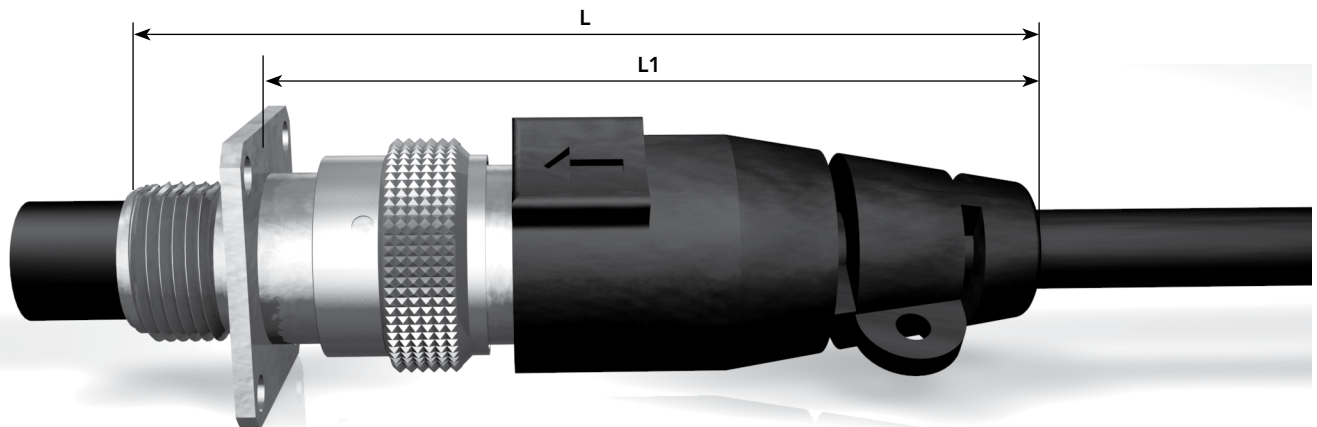
Contact Extraction Instructions

Place the tool into the cavity from front face of the connector, push on the handle, then remove the contact.



Dimensions Overmolded harnesses

Shell size	UTO0		UTO7	
	L max (inch)	L1 max (inch)	L max (inch)	L1 max (inch)
12	3.909"	3.688"	4.188"	3.688"



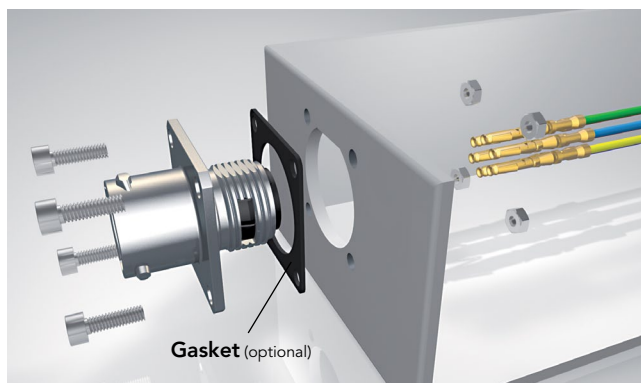
Note: all dimensions are in inches

Assembly Instructions

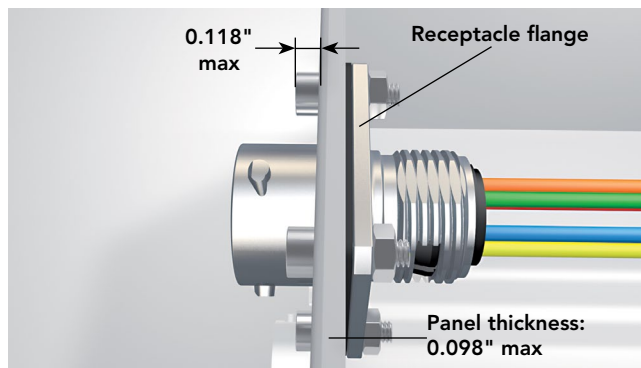
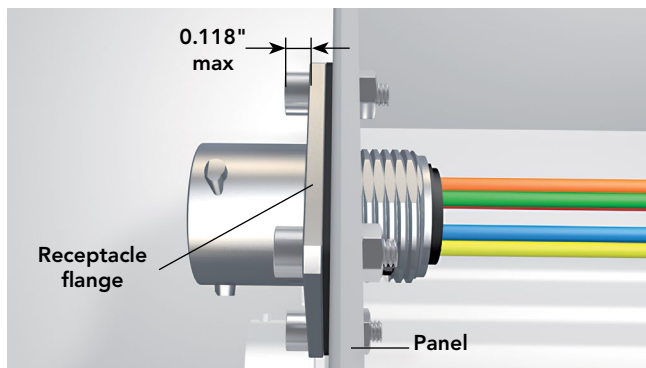
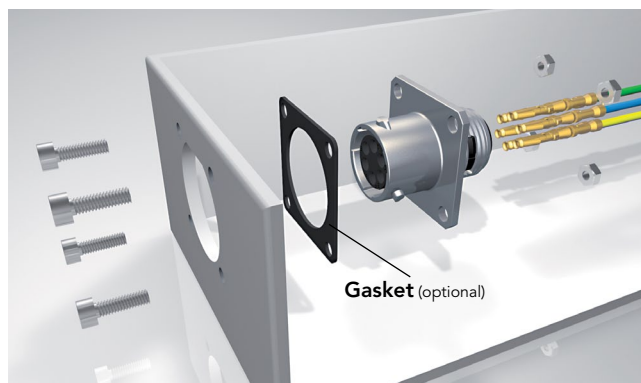
UTO0 Assembly (Mounting Suggestion)

- Strip wires and crimp contacts (see pages 140 & 141)
- Insert contacts into connector cavities (insert manually or use tool RTM205 crimp contacts)
- Place receptacle in the panel cut-out
- Secure receptacle with screws (not supplied)
Tighten screws: 4.40 UNC (Ø0.112") for size connectors 10 to 22, 6.32 UNC (Ø0.137") for size connectors 24 (recommended torque: see table below)
- For complete sealing of the system use optional gasket and sealed screw solution (not sold by SOURIAU).

Front mounting : Crimp version



Rear mounting : Crimp version

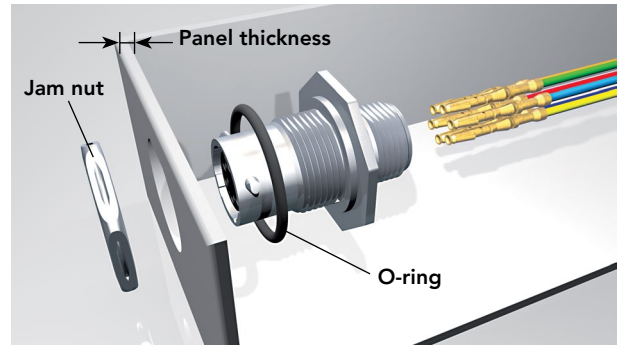


	Shell size							
	10	12	14	16	18	20	22	24
Screws tightening torque (Nm)	0.30/0.40	0.30/0.40	0.30/0.40	0.30/0.40	0.35/0.45	0.50/0.60	0.55/0.65	0.55/0.65

UTO7 Assembly (Mounting Suggestion)

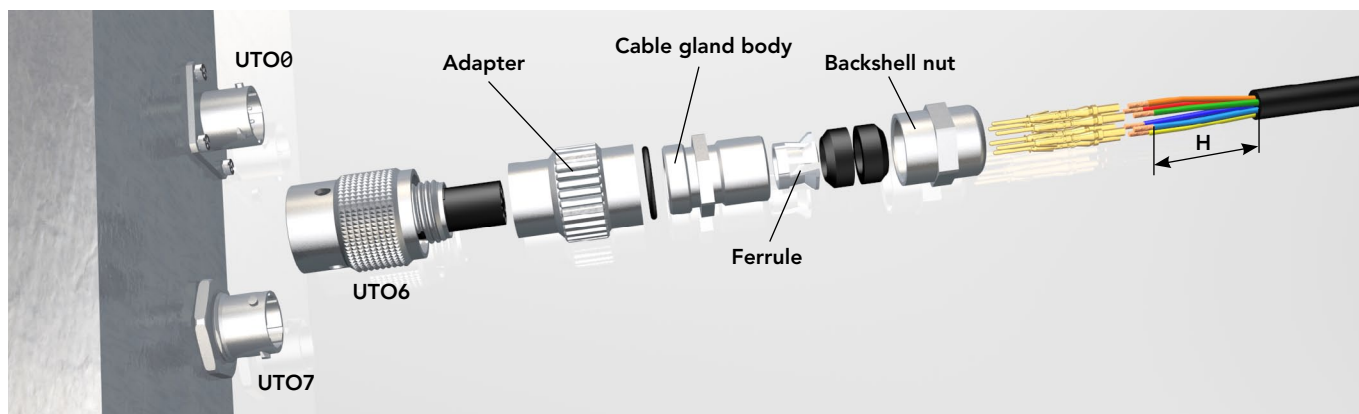
- Strip wires and crimp contacts (see pages 140 & 141)
- Insert contacts into connector cavities (insert manually or use tool RTM205 crimp contacts)
- Seat o-ring, place receptacle in the panel cut-out
- Tighten jam nut

Shell size	Jam nut torque (Nm)	Exterior jam nut dim. (inch)	Ø Wire max (inch)	Panel thickness max (inch)
10	6	0.874"	0.125"	0.125"
12	9	1.062"	0.125"	0.125"
14	10	1.259"	0.125"	0.125"
16	13	1.311"	0.125"	0.125"
18	20	1.437"	0.125"	0.125"
20	23	1.562"	0.125"	0.251"
22	25	1.688"	0.125"	0.251"
24	26	1.811"	0.125"	0.251"



Assembly Instructions (Continued)

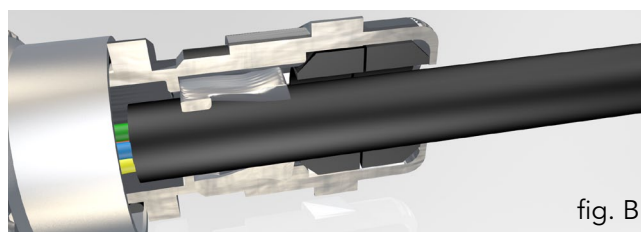
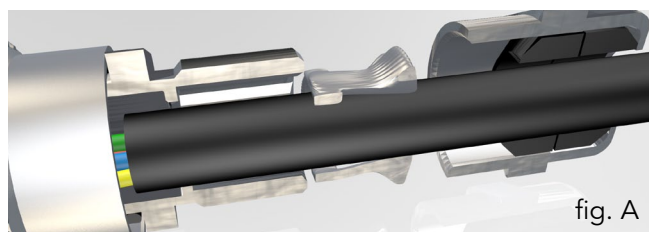
UTO0 or UTO7 with UTO6 + JCS or JC or JCSL or JCL for Unshielded Cable



- Slide accessories onto the cable
- Strip external cable jacket (see dimension H in the table below)
- Strip wires and crimp contacts (see pages 140 & 141)
- Insert contacts into connector cavities (insert manually or use tool RTM205)
- Screw adapter to the rear of the connector body and screw cable

gland body to adapter and tighten (recommended torque: see table below)

- Mate the plug with the receptacle to make the following step easier
- Slide ferrule inside the cable gland body as shown in fig. A
- Tighten backshell nut with cable gland body as shown in fig. B (recommended torque: see below).



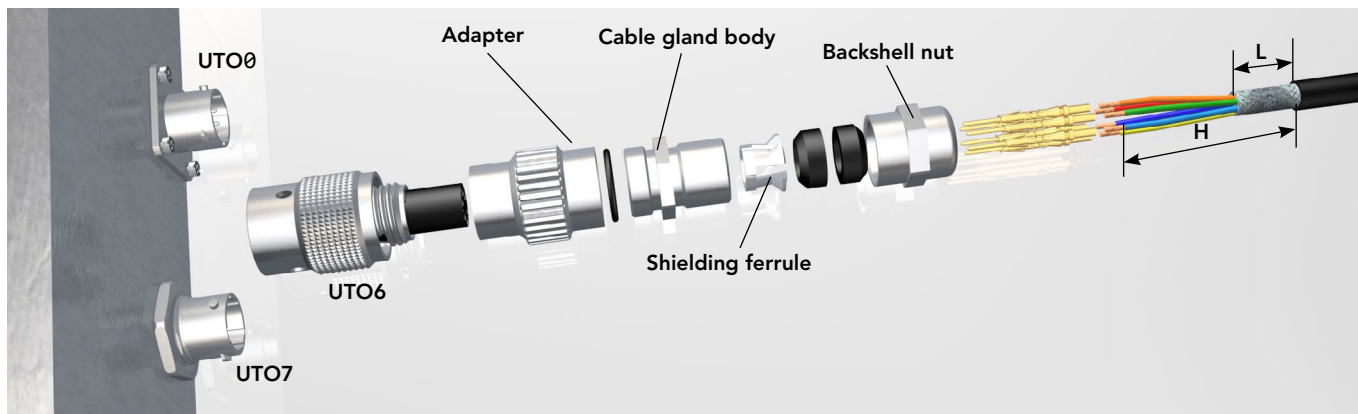
Shell size	Adapter tightening torque (Nm)	Cable gland body tightening torque (Nm)	Backshell nut tightening torque* (Nm)	H min. (inch)			
				JCS/JCSL		JC/JCL	
				Male	Female	Male	Female
10	6	6	5	0.826"	1.141"	1.259"	1.535"
12	10	10	8	0.826"	1.141"	1.220"	1.535"
14	10	10	8	0.984"	1.299"	1.535"	1.850"
16	14	14	12	1.259"	1.574"	1.692"	2.007"
18	14	14	12	1.456"	1.771"	1.850"	2.165"
20	24	24	20	1.535"	1.850"	1.929"	2.244"
22	24	24	20	1.614"	1.968"	2.086"	2.401"
24	24	24	20	1.850"	2.165"	2.244"	2.558"

* Indicative torque, needs to be adjusted depending on the cable used

Spanner size

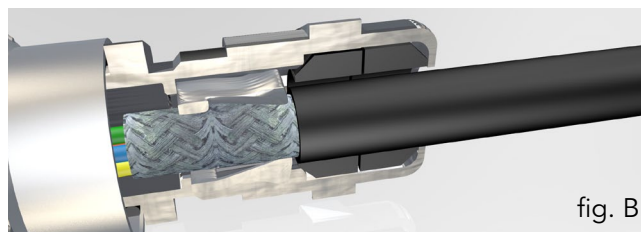
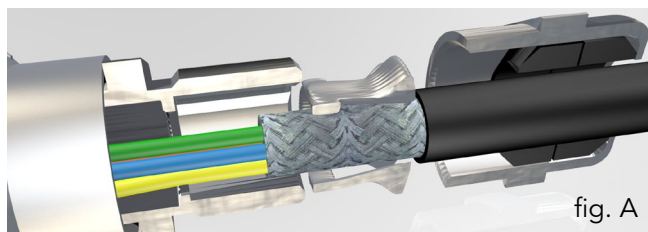
Shell size	JCS/JC		JCSL/JCL	
	Cable gland body	Backshell nut	Cable gland body	Backshell nut
10	0.669"	0.551"	0.669"	0.669"
12 & 14	0.866"	0.787"	0.866"	0.866"
16 & 18	1.023"	0.944"	1.181"	1.181"
20, 22 & 24	1.299"	1.181"	1.574"	1.574"

UTO0 or UTO7 with UTO6 + JCS or JC or JCSL or JCL for Shielded Cable



- Slide accessories onto the cable
- Strip external cable jacket (see dimension H and L in the table below)
- Strip wires and crimp contacts (see pages 140 & 141)
- Insert contacts into connector cavities (insert manually or use tool RTM205)
- Screw adapter to the rear of the connector body and screw cable

- gland body to adapter and tighten (recommended torque: see table below)
- Mate the plug with the receptacle to make the following step easier
- Slide ferrule inside the cable gland body as shown in fig. A
- Tighten backshell nut with cable gland body as shown in fig. B (recommended torque: see below).



Shell size	Adapter tightening torque (Nm)	Cable gland body tightening torque (Nm)	Backshell nut tightening torque (Nm)	H min. (inch)				L min. (inch)
				JCS/JCSL		JC/JCL		
				Male	Female	Male	Female	
10	6	6	5	1.968"	2.283"	2.401"	2.677"	0.314"
12	10	10	8	2.126"	2.401"	2.559"	2.874"	0.472"
14	10	10	8	2.322"	2.598"	2.874"	3.149"	0.472"
16	14	14	12	2.677"	2.952"	3.110"	3.385"	0.472"
18	14	14	12	2.834"	3.149"	3.267"	3.582"	0.472"
20	24	24	20	3.149"	3.503"	3.543"	3.858"	0.551"
22	24	24	20	3.267"	3.582"	3.700"	4.015"	0.551"
24	24	24	20	3.464"	3.779"	3.858"	4.173"	0.551"

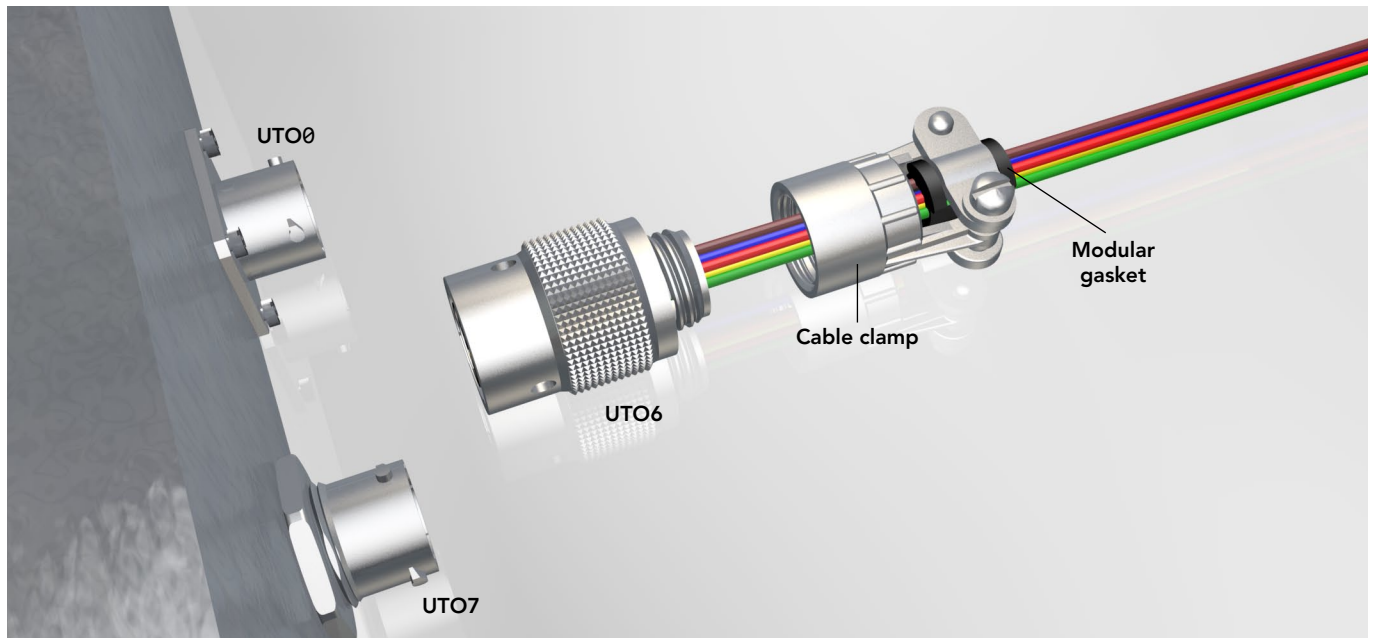
* Indicative torque, needs to be adjusted depending on the cable used

Spanner size

Shell size	JCS/JC		JCSL/JCL	
	Cable gland body	Backshell nut	Cable gland body	Backshell nut
10	0.669"	0.551"	0.669"	0.669"
12 & 14	0.866"	0.787"	0.866"	0.866"
16 & 18	1.023"	0.944"	1.181"	1.181"
20, 22 & 24	1.299"	1.181"	1.574"	1.574"

Assembly Instructions (Continued)

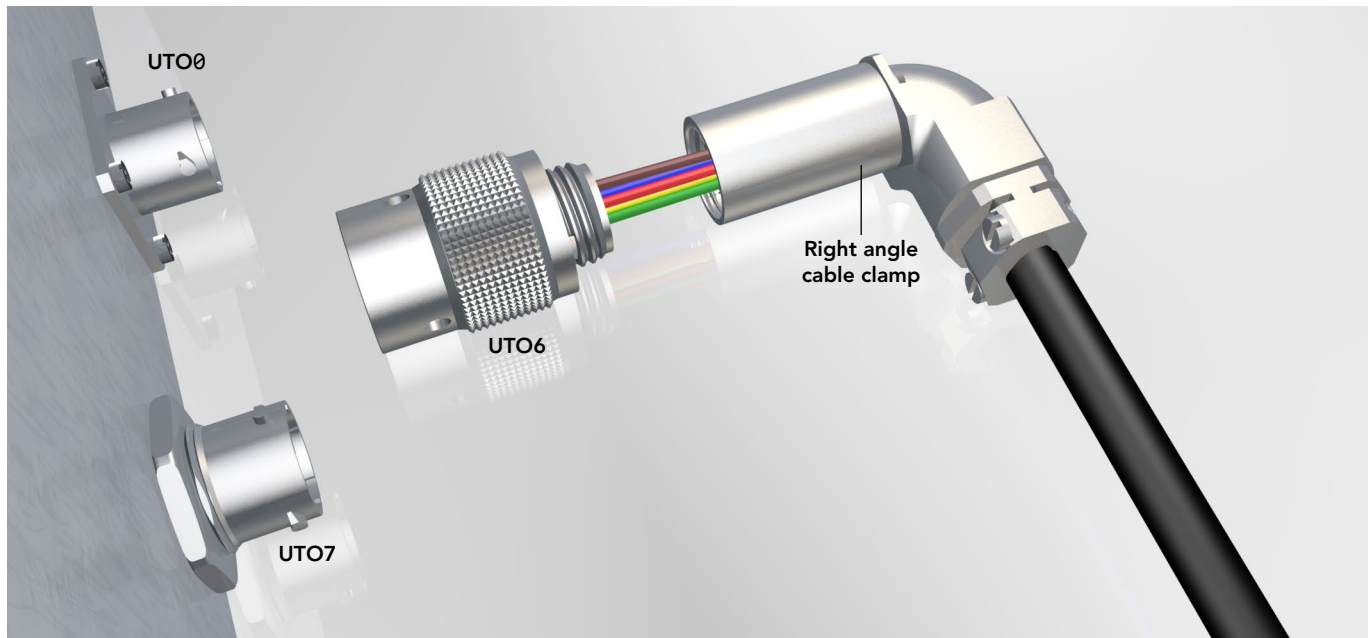
UTO0 or UTO7 with UTO6 + AC Backshell Assembly



- Slide accessories onto the cable
- Strip external cable jacket
- Strip wires and crimp contacts (see pages 140 & 141)
- Insert contacts into connector cavities (insert manually or use tool RTM205)
- Tighten backshell with plug and mate plug with a receptacle (recommended torque values to be applied according to the table below)
- Tighten backshell screws.

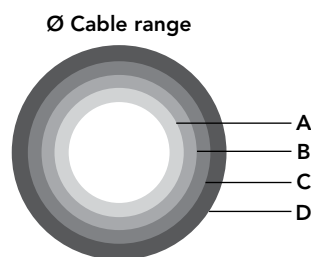
Shell size	Cable clamp tightening torque (Nm)	Clamp (inch)	
		Min	Max
10	4	0.059"	0.196"
12	5	0.118"	0.322"
14	5	0.157"	0.393"
16	9	0.236"	0.511"
18	9	0.334"	0.629"
20	11	0.393"	0.629"
22	13	0.354"	0.759"
24	15	0.433"	0.811"

UTO0 or UTO7 with UTO6 + LPGN Backshell Assembly



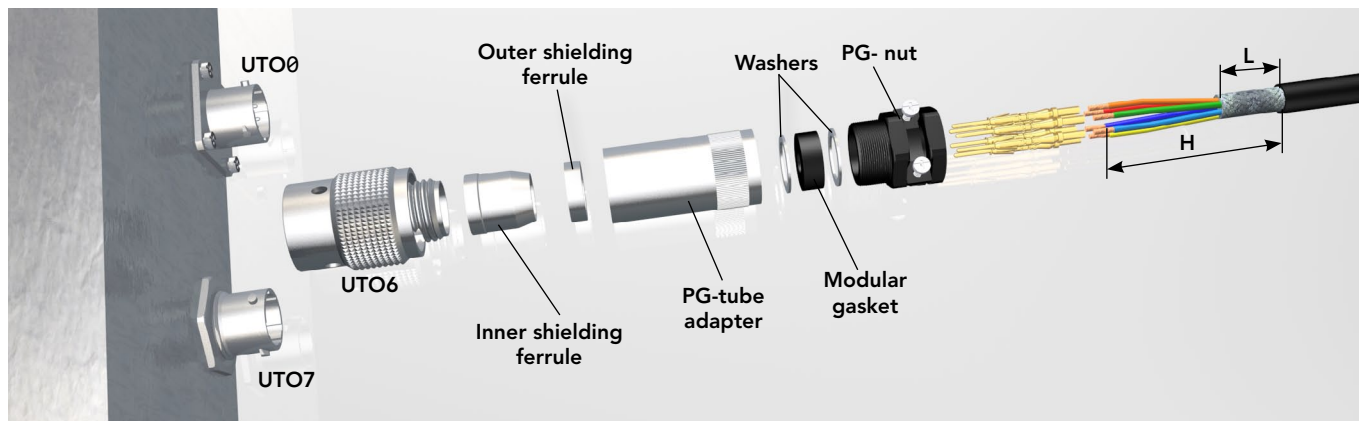
- Remove inner part of the modular gasket to adjust the internal diameter to fit the cable (see table)
- Slide accessories onto the cable
- Strip external cable jacket
- Strip wires and crimp contacts (see pages 140 & 141)
- Tighten backshell with plug and mate plug with a receptacle (recommended torque values to be applied according to the table below)
- Tighten backshell screws.

Shell size	Right angle cable clamp tightening torque (Nm)	Ø Cable range (inch)			
		A	B	C	D
10	6	0.196"	0.314"	-	-
12	10	0.275"	0.413"	0.511"	
14	10	0.275"	0.413"	0.511"	0.629"
16	14	0.314"	0.413"	0.511"	0.629"
18	14	0.314"	0.413"	0.511"	0.629"
20	24	0.433"	0.590"	0.708"	0.866"
22	24	0.433"	0.590"	0.708"	0.866"
24	24	0.748"	0.905"	1.063"	1.220"



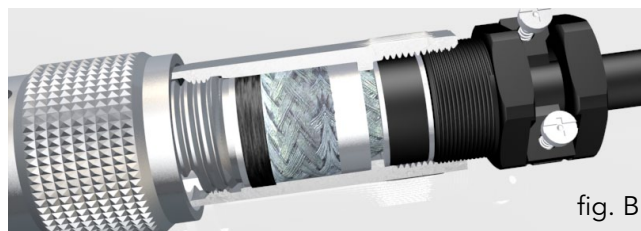
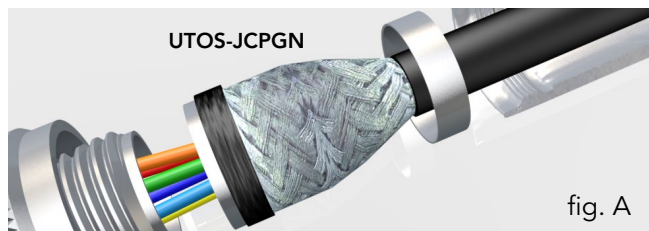
Assembly Instructions (Continued)

UTO0 or UTO7 with UTO6 + JCPGN Backshell Assembly



- Mate UTO6 (plug) with UTO0 or UTO7 already mounted on a panel
- Slide accessories onto the cable
- Strip external cable jacket (see dimension H and L)
- Strip wires and crimp contacts (see pages 140 & 141)
- Insert contacts into connector cavities (insert manually or use RTM205 tool)

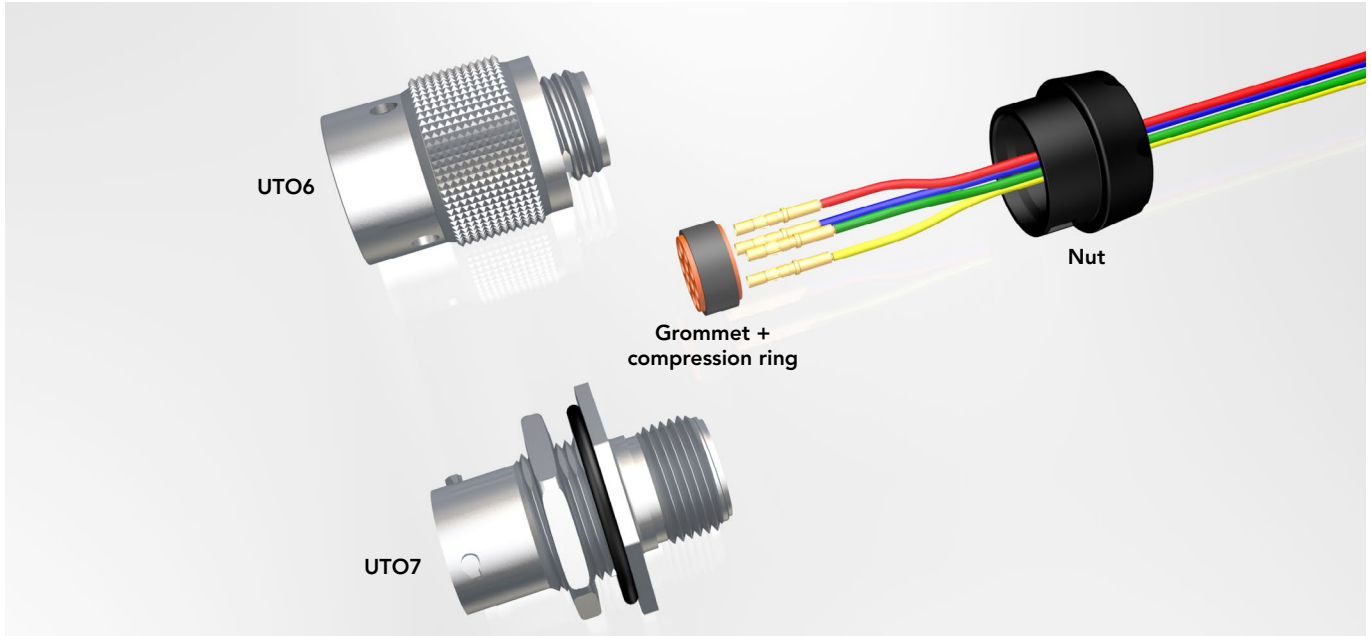
- Place cable braid shield over inner shielding ferrule (See fig. A) and slide the outer ferrule over the braid shield for UTOS-JCPGN
- Screw PG-tube adapter with plug (recommended torque: see below table)
- Tighten PG-nut with PG-tube adapter (See fig. B)
- Tighten PG-nut screws.



Shell size	PG-tube tightening torque (Nm)	PG-nut tightening torque (Nm)	Ø Cable range (inch)		H min. (inch)		L min. (inch)
			UTO	UTOS	Pin contacts	Socket contacts	
10	4	1.5	0.157" to 0.393"	0.157" to 0.346"	1.043"	1.346"	0.692"
12	6	1.5	0.157" to 0.468"	0.157" to 0.468"	1.043"	1.346"	0.692"
14	10	3.5	0.255" to 0.531"	0.255" to 0.531"	1.165"	1.464"	0.811"
16	10	6.5	0.255" to 0.629"	0.255" to 0.629"	1.244"	1.543"	0.889"
18	10	6.5	0.255" to 0.629"	0.255" to 0.629"	1.452"	1.665"	1.051"
20	15	9	0.354" to 0.826"	0.354" to 0.826"	1.433"	1.645"	1.027"
22	15	9	0.354" to 0.826"	0.354" to 0.826"	1.708"	1.921"	1.307"
24	15	12	0.669" to 1.161"	0.669" to 1.161"	1.7243"	1.937"	1.322"

Ø individual braid shield conductor between 0.011" and 0.019".
Torques to be applied with the plug mated with the receptacle.

UTO6 or UTO7 with GN Backshell Assembly



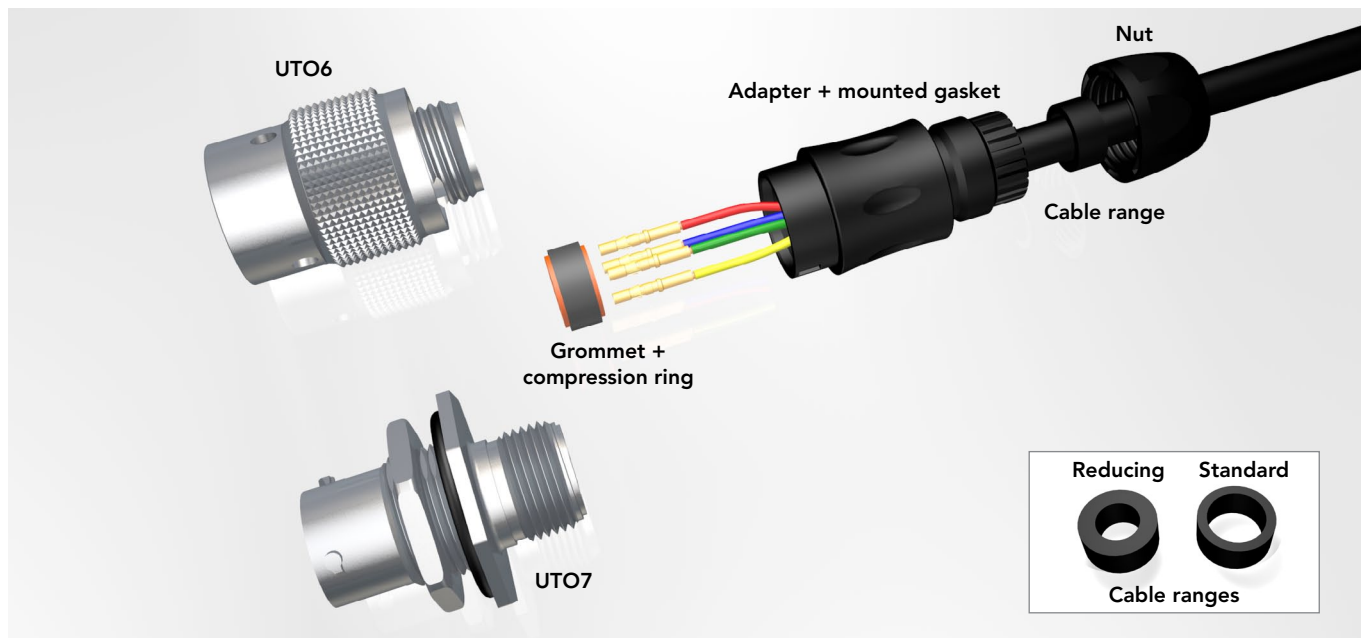
- Strip wires and crimp contacts (see pages 140 & 141)
- Insert first contact into the grommet (first contact in cavity A, no tool is required). Then insert the contact in the connector cavity A (insert manually or use tool RTM205)

- Insert the other contacts
- Tighten the nut to rear of either UTO7 or UTO6 (recommended torque values to be applied according to the table below).

Shell size	layout	Nut tightening torque (Nm)	Ø Wire (inch)
10	4	1	From 0.066" to 0.118"
12	8	1.5	
14	7	1.5	
14	12	1.5	

Assembly Instructions (Continued)

UTO6 or UTO7 with GJC Backshell Assembly

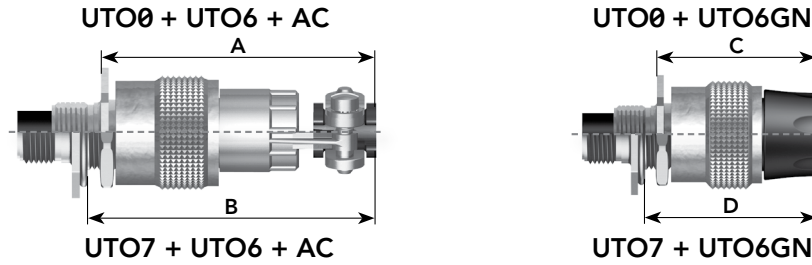


- Strip wires and crimp contacts (see pages 140 & 141)
- Insert first contact into the grommet (first contact in cavity A, no tool is required). Then insert the contact in the connector cavity A (insert manually or use tool RTM205)
- Insert the other contacts

- Tighten adapter with plug, choose right seal (waste the other seal)
- Tighten the nut to rear of either UTO7 or UTO6 (recommended torque values to be applied according to the table below).

Shell size	Layout	Recommended jacket strip length (inch)		Adapter tightening torque (Nm)	Nut tightening torque (Nm)	Ø Cable range Standard seal (inch)	Ø Cable range Reducing seal (inch)	Ø Wire (inch)
		Male	Female					
10	4	0.826"	1.141"	1.5	1	0.098"/0.314"	0.059"/0.196"	From 0.066" to 0.118"
12	8	0.984"	1.299"	2	2.5	0.196"/0.472"	0.118"/0.354"	
14	7	1.141"	1.417"	3	2.5	0.275"/0.551"	0.196"/0.472"	
14	12	1.141"	1.417"	3	2.5	0.275"/0.551"	0.196"/0.472"	

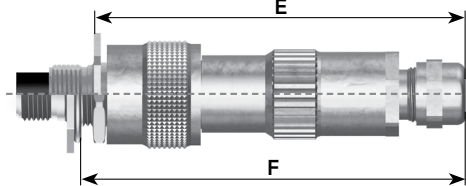
Mated Connector Length with Backshell



Shell size	UTO0 + UTO6		UTO7+ UTO6	
	+ AC backshell	+ GN backshell	+ AC backshell	+ GN backshell
	A max (inch)	C max (inch)	B max (inch)	D max (inch)
10	2.106"	1.539"	2.295"	1.728"
12	2.106"	1.531"	2.295"	1.720"
14	2.047"	1.551"	2.236"	1.740"
16	2.184"	-	2.373"	-
18	2.224"	-	2.413"	-
20	2.303"	-	2.519"	-
22	2.244"	-	2.460"	-
24	2.322"	-	2.539"	-

Backshell without shielding

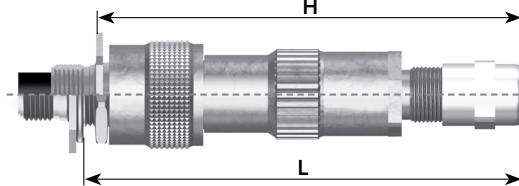
UTO0 + UTO6 + UTO with JCS or JC or JCSL or JCL



UTO7 + UTO6 + UTO with JCS or JC or JCSL or JCL

Backshell with shielding

UTO0 + UTO6 + UTOS with JCS or JC or JCSL or JCL

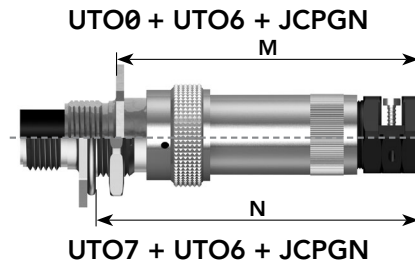


UTO7 + UTO6 + UTOS with JCS or JC or JCSL or JCL

Shell size	UTO0 + UTO6 + UTO with				UTO7+ UTO6 + UTO with				UTO0 + UTO6 + UTOS with				UTO7+ UTO6 + UTOS with			
	JCS	JC	JCSL	JCL	JCS	JC	JCSL	JCL	JCS	JC	JCSL	JCL	JCS	JC	JCSL	JCL
	E max	E max	E max	E max	F max	F max	F max	F max	H max	H max	H max	H max	L max	L max	L max	L max
10	2.681"	3.153"	2.681"	3.153"	2.866"	3.338"	2.866"	3.338"	3.074"	3.547"	3.114"	3.586"	3.259"	3.732"	3.299"	3.771"
12	2.681"	3.192"	2.720"	3.232"	2.866"	3.377"	2.905"	3.417"	3.192"	3.704"	3.192"	3.704"	3.377"	3.889"	3.377"	3.889"
14	2.877"	3.429"	2.917"	3.468"	3.062"	3.614"	3.102"	3.653"	3.289"	3.940"	3.289"	3.940"	3.574"	4.125"	3.574"	4.114"
16	3.232"	3.665"	3.468"	3.901"	3.417"	3.850"	3.653"	103.8	3.625"	4.058"	4.019"	4.452"	3.810"	4.243"	4.204"	4.637"
18	3.350"	3.763"	3.586"	3.999"	3.535"	3.948"	3.771"	4.184"	3.744"	4.157"	4.137"	4.551"	3.929"	4.342"	4.322"	4.736"
20	3.873"	4.259"	4.149"	4.535"	4.090"	4.476"	4.366"	4.751"	4.405"	4.791"	4.759"	5.145"	4.621"	5.007"	4.976"	5.362"
22	3.964"	4.409"	4.240"	4.684"	4.180"	4.625"	4.456"	4.901"	4.495"	4.940"	4.850"	5.295"	4.712"	5.157"	5.066"	5.511"
24	4.208"	4.602"	4.484"	4.877"	4.425"	4.818"	4.700"	5.094"	4.740"	5.133"	5.094"	5.488"	4.956"	5.350"	5.310"	5.704"

Note: all dimensions are in inches

Mated Connector Length with Backshell (Continued)



Shell size	UTO0 + UTO6 + JCPGN	UTO7+ UTO6 + JCPGN
	M max (inch)	N max (inch)
10	3.244"	3.429"
12	3.330"	3.515"
14	3.527"	3.712"
16	3.740"	3.925"
18	3.901"	4.086"
20	4.374"	4.590"
22	4.653"	4.870"
24	5.232"	5.452"

Note: all dimensions are in inches

Rated Current & Working Voltage

Current Carrying Capacity

The current carrying capacity of a connector is limited by the thermal properties of materials used in its construction. The amount of current that can be handled depends on the size of cable used, the ambient temperature and the heat that is generated inside the connector. Part 3 of the IEC 60512 standard determines through a derating curve, the maximum current permissible, which varies from one layout to another (Fig.1 & Fig.2). Wire size plays an important role in dissipating heat and avoid overheating (Fig.1 & Fig.3).

Please note that the curve should be adjusted when dealing with potential hot spots, which can occur as a result of unequal loading of current across a number of contacts. As a general rule, it is best to avoid placing power handling contacts in the middle of the connector; try to locate them towards the edge where heat can be dissipated more effectively. Eventually you should find a level which represents the permissible operating range:

Fig.1: UTO 12-4 – 1.5mm² wires

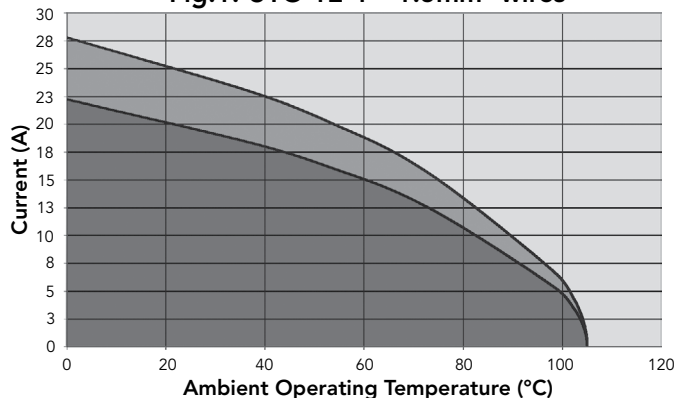


Fig.2: UTO 12-8 – 1.5mm² wires

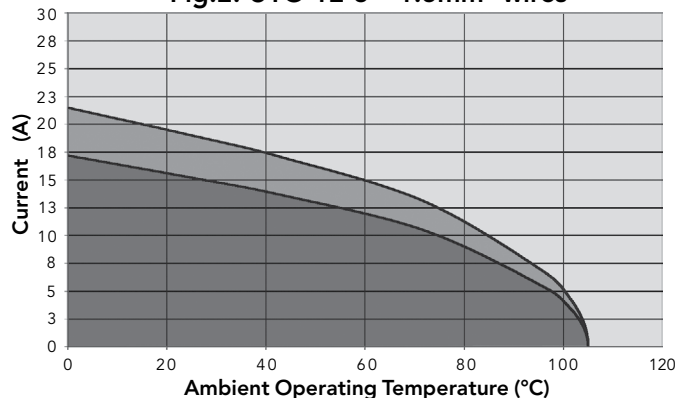
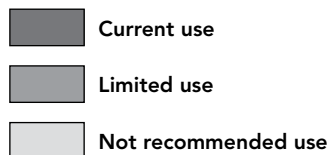
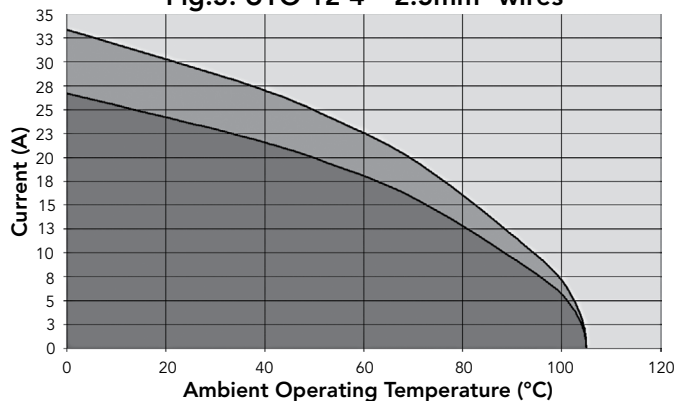


Fig.3: UTO 12-4 – 2.5mm² wires



The **rated current** is defined as uninterrupted continuous current that a connector can take when all contacts are energized simultaneously without exceeding the maximum limit of temperature. The earth contact is never loaded.

Shielding Effectiveness/Corrosion

Shielding Effectiveness

EMC (Electro-Magnetic Compatibility) means a device (e.g. a connector) can tolerate interferences and continue to work properly.
 It's generally measured via the shielding effectiveness.
 This value is a ratio between the power radiated inside to the maximum power interferences outside.

$$(dB) = 10 \log \frac{P_{in}}{P_{out}}$$

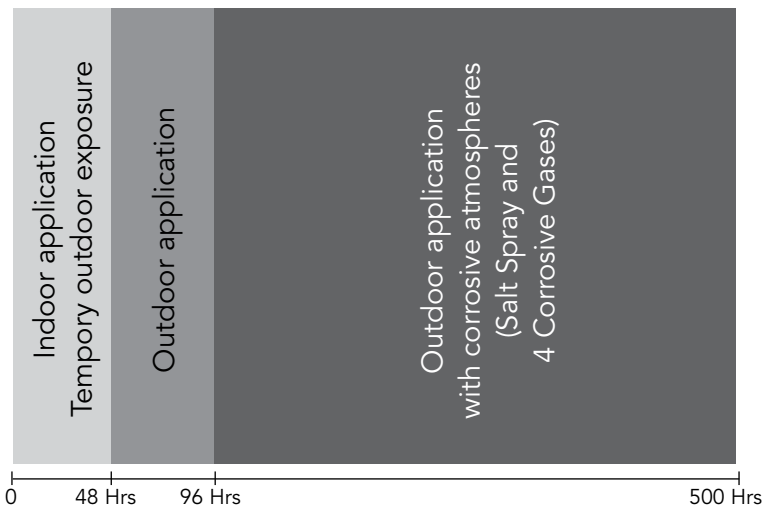
Pin: Power in
 Pout: Power out



Corrosion Resistance

Control of corrosion impact on electronic devices is an important expertise. Metal connectors suitable for outdoor and indoor use should be able to withstand climate ingress, exposure to salt spray and corrosive gases while still maintaining mechanical and electrical functionality.

Over the years, many different test methods have been developed but never really captured the exact equivalence between testing scenarios and real electronic device exposure to corrosive environments. SOURIAU has been developing, manufacturing and testing connector solutions for more than 90 years and has developed a unique corrosion test based on Salt Spray exposure combined with four additional corrosive gases. Typical industrial applications may involve exposure to corrosive atmospheres equivalent to 48 or 96 hours. SOURIAU's UTO product series has been validated to withstand corrosive agent exposure at these timeframes. In addition, we can offer different solutions and plating options to withstand longer corrosion exposure times and test up to 500 hours.



UL94 + UL1977



There are two main standards for industrial connectors: UL94 & UL1977

UL94

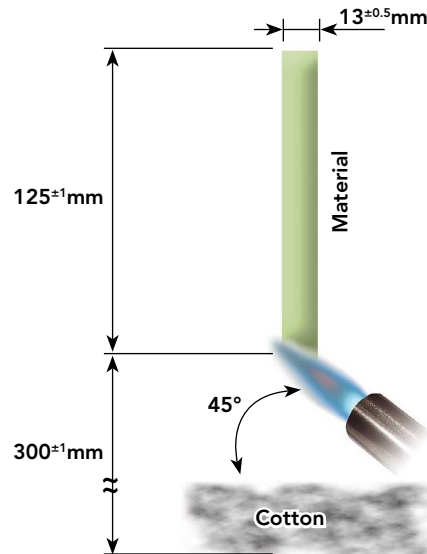
This standard is dedicated to plastics flammability. It characterizes how the material burns in various orientation and thicknesses.

The UTO series has been rated at **V-0 & HB**.

Procedure: A specimen is supported in a vertical or horizontal position and a flame is applied to the bottom of the specimen. The flame is applied for ten seconds and then removed until flaming stops, at which time the flame is reapplied for another ten seconds and then removed. Two sets of five specimens are tested.

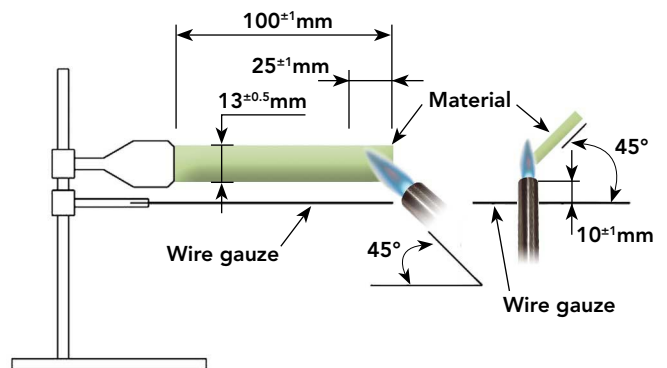
V-0 Vertical burning:

- Specimens must not burn with flaming combustion for more than 10 seconds after each test flame application
- Total flaming combustion time must not exceed 50 seconds for each set of 5 specimens
- Specimens must not burn with flaming or glowing combustion up to the specimen holding clamp
- Specimens must not drip flaming particles that ignite the cotton
- No specimen can have glowing combustion remain for longer than 30 seconds after removal of the test flame.



HB Horizontal burning:

- A material classified HB shall not have a burning rate exceeding 40 mm per minute over a 75 mm span for specimens having a thickness of 3.0 to 13 mm
- A material classified HB shall not have a burning rate exceeding 75 mm per minute over a 75 mm span for specimens having a thickness less than 3.0 mm
- A material classified HB shall cease to burn before the 100 mm reference mark.



UL94 + UL1977 (Continued)



UL1977

There are several standards which deal with plug and receptacle. Each of them is only for a small area of applications. It could be telecommunication, etc. The UL 1977 covers single and multipole connectors intended for factory assembly.

Requirements apply to devices taking into account intensity and voltage. The categories are as follows:

	0	30 V (42 V peak)	600 V
0	Type 0		Type 1A
8.3 A	Type 1B		Type 2
31 A			Type 3
200 A	Type 4		
1000 A			

According to above table, the level of performance that has to be reached could be different. Most of them are explained in the following page.

Insulating materials:

Material uses for electrical insulation, as a minimum, have to comply with the characteristics shown below:

- Minimum ratings for polymeric materials

Type	Flame rating	Relative thermal index (RTI) Electrical/mechanical w/o impact */**
0	-	50/50
1A	HB	50/50
1B	HB	50/50
2	HB	50/50
3	HB	50/50
4	HB	50/50

* The RTI of the material shall not be lower than the temperature measured during the Temperature Test.

** For a thickness less than that for which a value has been established, the RTI of the minimum thickness with an established value shall be used.

Assembly:

Connector has to be keyed to prevent any mismatching that can damage the machine or hurt the user. In the same way, plugs and sockets have to be equipped to protect persons against contact with live parts.

Finally the identified grounding contact shall be located so that the corresponding electrical continuity has to be completed before any other contact.

UL1977

Spacing:

For a 250V max connector, distance through air or over material shall be 1.2mm whereas from 250V to 600V connector the spacing is 3.2mm minimum. These distances have to be taken between uninsulated live parts as shown in the matrix below:

• **Applicability of spacing requirements**

Type	Uninsulated live part - uninsulated live part of opposite polarity	Uninsulated live part - uninsulated grounded metal part	Uninsulated live part - exposed dead metal part
0	No	No	No
1A	Yes	Yes	Yes
1B	Yes	Yes	No
2	Yes	Yes	Yes
3	Yes	Yes	Yes
4	Yes	Yes	Yes

An alternative way to determine voltage rating is with the Dielectric-Withstand test. If during one minute there is no arc-over or breakdown the rated voltage is given as shown below:

- a) 500 volts for a type 1B device
- b) 1000 volts plus twice rated voltage for types 1A, 2, 3 and 4 devices.

Marking:

A device shall be legibly marked with the manufacturer's trade name, trade mark, or other descriptive marking by which the organization responsible for the product may be identified. (Exception: If the device is too small, or where the legibility would be difficult to attain, the manufacturer's name, trademark, or other descriptive marking may appear on the smallest unit container or carton)

The following shall be marked on the device or on the smallest unit container or carton or on a stuffer sheet in the smallest unit container or carton:

- a) The catalog number or an equivalent designation
- b) The electrical rating in both volts and amperes, if assigned
- c) Whether ac or dc, if restricted
- d) Flammability class, if identified

Example - Marking for the arrangement 10-3: 10A 500V UL94 V-0

IEC 61984 & IP Codes Explained

IEC 61984

The norm is dedicated to connectors with rated voltage above 50V and up to 1000V and rated currents up to 125A per contact. Depending on your application connectors should be compliant with another standard. This has to be double checked with the customer.

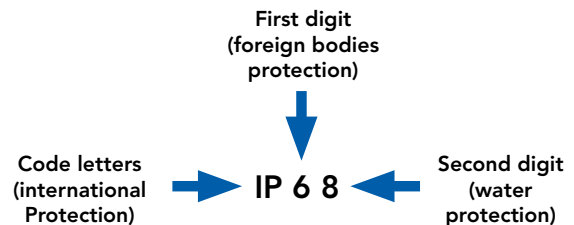
There are a lot of constructional requirements and performances specified in that standard. Most of them are illustrated in greater details hereafter.

Provisions for earthing:

The UTO connector is intended to be used on Class I or Class III (see IEC 61140) systems. Even if the purpose of our connector is not to interrupt current, there is a need to add a protective earth contact. This one shall be a "First mate, last break" style. Critically, among all of the normal assumptions we make in designing a connector, this contact has to be considered as a live part and must be protected attached to the ground wire.

IP Code:

IP is a coding system defined by the IEC 60529 to indicate the degrees of protection provided by an enclosure. The aim of this is to give information regarding the accessibility of live parts against ingress of water and other foreign bodies.



1 st digit	Degree of protection	2 nd digit	Degree of protection
0	No protection against accidental contact. No protection against solid foreign bodies.	0	No protection against water.
1	Protection against contact with any large area by hand and against large solid foreign bodies with a diameter bigger than 50 mm.	1	Drip-proof. Protection against vertical water drips.
2	Protection against contact with the fingers. Protection against solid foreign bodies with a diameter bigger than 12 mm.	2	Drip-proof. Protection against water drips up to a 15° angle.
3	Protection against tools, wires or similar objects with a diameter bigger than 2.5 mm. Protection against small solid bodies with a diameter bigger than 2.5 mm.	3	Spray-proof. Protection against diagonal water drips up to a 60° angle.
4	Same as 3 however diameter is bigger than 1 mm.	4	Splash-proof. Protection against splashed water from all directions.
5	Full protection against contact. Protection against interior injurious dust deposits.	5	Hose-proof. Protection against water (out of a nozzle) from all directions.
6	Total protection against contact. Protection against penetration of dust.	6	Protection against temporary flooding.
		7	Protection against temporary immersions.
		8	Protection against water pressure. Pressure to be specified by supplier.

UTO offers high sealing performance IP68 / 69K... Even in dynamic situations.

In addition to the IEC 60529 we conjointly use the DIN 40050 part 9 which are dedicated to road vehicles. The main differences are:

- **First digit:** 5 replaced by 5K, 6 by 6K. In the DIN the tested equipment is not depressurized as it is in the IEC.
- **Second digit:** 5K and 6K has been added and are equivalent respectively to 5 and 6 but with higher pressure. 9K which represents the High pressure cleaning.

9K	High pressure hose-proof. Protection against high pressure water (out of a nozzle) from all directions.
----	--

IEC 61984 ed.2.0 "Copyright © 2008 IEC Geneva, Switzerland.www.iec.ch"
IEC 60664-1 ed.2.0 "Copyright © 2007 IEC Geneva, Switzerland.www.iec.ch"

IEC 61984

Overvoltage

UTO connectors are qualified to be used on systems rated at Overvoltage category III.

Per the IEC 60664-1 (formerly VDE 0110) each category is linked to the end application and where the device will be implemented:

- **Category IV** (primary overcurrent protection equipment):
Origin of the installation
- **Category III** (any fixed installation with a permanent connection)
Fixed installation and equipment and for cases where the reliability and the availability is subject to special requirements
- **Category II** (domestic appliances):
Energy consuming equipment to be supplied from the fixed installation
- **Category I** (protected electronic circuit):
For connection to circuit in which measures are taken to limit transient overvoltage.

Pollution degree

Per the IEC 60664-1 (formerly VDE 0110) the environment affects the performance of the insulation. Particles can build a bridge between two metal parts. As a rule dust mixed with water can be conductive and more generally speaking metal dust is conductive. Finally, the standard defines 4 levels of pollution:

- **Degree 1** (Air conditioned dry room):
No pollution or only dry, non conductive pollution occurs. The pollution has no influence.
- **Degree 2** (Personal computer in a residential area):
Only non conductive pollution occurs except that occasionally a temporary conductivity caused by condensation is to be expected.
- **Degree 3** (Machine tools):
Conductive pollution occurs or dry non-conductive pollution occurs which becomes conductive due to condensation which is to be expected.
- **Degree 4** (Equipments on roof, locomotives):
Continuous conductivity occurs due to conductive dust, rain or other wet conditions.

Finally, the harsher the environment is, the longer clearance and creepage distances should be. Nonetheless, according the IEC 61984, enclosure rated at IP54 or higher can be dimensioned for a lower pollution degree. This applies to mated connectors disengaged for test and maintenance.

Marking

The marking should give enough details to the user to know what the main characteristics are and without going deep in technical documentation. Below examples identify the suitability of the connector:

- **Example 1:**
Marking of a connector with rated current 16A, rated voltage 400V, rated impulse voltage 6kV and pollution degree 3, 2 and 1 for use in any system, preferably unearthed or delta-earthed systems:

16A 400V 6kV 3

- **Example 2:**
Marking of a connector with rated current 16A, rated insulation voltages line-to-earth 250V, line-to-line 400V, rated impulse voltage 4kV and pollution degree 3, 2 and 1 for use in earthed systems:

16A 250V 400V 4kV 3

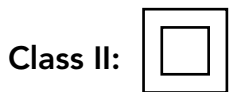
IEC 61140 Explained

IEC 61140

On a daily basis, we are using many electrical appliances, some are grounded, and some are not. The levels of grounding protection are clearly defined by the International Electrotechnical Commission standard IEC 61140, a standard that has an influence on our connectors and how they should be used; our customers therefore need to pay particular attention to the three categories defined within this standard to ensure compatibility with their system. Everything explained hereafter is valid for connectors not intended to interrupt current.

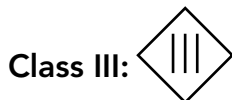


Devices which belong to this category have their chassis grounded via the ground wire (green/yellow in Europe, green in the US, Canada and Japan). A fault in the appliance might cause a live conductor to energize the casing. In this case, the current flows to the ground conductor and the circuit interrupter will cut off the power supply. In case of the UTO series, it means the envelope (coupling ring, backshell and housing) may become live, therefore, care needs to be taken to attach the connector to the ground. This is usually done via the ground conductor using a splice between the ground contact and the housing.



Products in this category have reinforced insulation, meaning that the casing does not need to be connected to ground. In this case, the possibility of electric shock has been removed. Most of the time, reinforced insulation means double insulation, i.e. the second layer will take over the first one in case the first one fails. The UTO series is not designed to comply with this standard, so we cannot recommend it for this product category.

Note: UL 1310 also defines a class II device, but in that case this is just to set the upper limit of use, like a wall charger for our cell phone.



In this category, electrical appliances are fed by a low voltage source (<48VAC or < 120VDC). In normal conditions live conductors can be accessible without any risk for the end user. No particular attention needs to be taken in regards to UTO series when it comes to a class III device.

Conclusion :

UTO series can be used in class I and class III environments, but each category affects the product performance. Throughout the catalog, current and voltage ratings have been given for class I devices keeping in mind the ground conductor needs to be attached according to recommended wiring instructions.

Note: Special applications like recreational vehicles are not under the scope of the IEC 61140.

What is NEMA Rating ?

- NEMA ratings vs IP ratings

Whereas IP ratings only consider protection against ingress of foreign bodies (first digit) and ingress of water (second digit), NEMA ratings consider these but also verify protection from external ice, corrosive materials, oil immersion, etc.

The correlation between NEMA & IP being limited only to dust and water, we can state that a NEMA type is equivalent to an IP rating but it is not possible to say the contrary.

Below a list of some NEMA standards:

Enclosure rating	IP20	IP22	IP55	IP64	IP65	IP66	IP67	IP68
Type 1	•							
Type 3				•				
Type 3R		•						
Type 3S				•				
Type 4						•		
Type 4X						•		
Type 6							•	
Type 6P								•
Type 12			•					
Type 13					•			

• indicates compliance

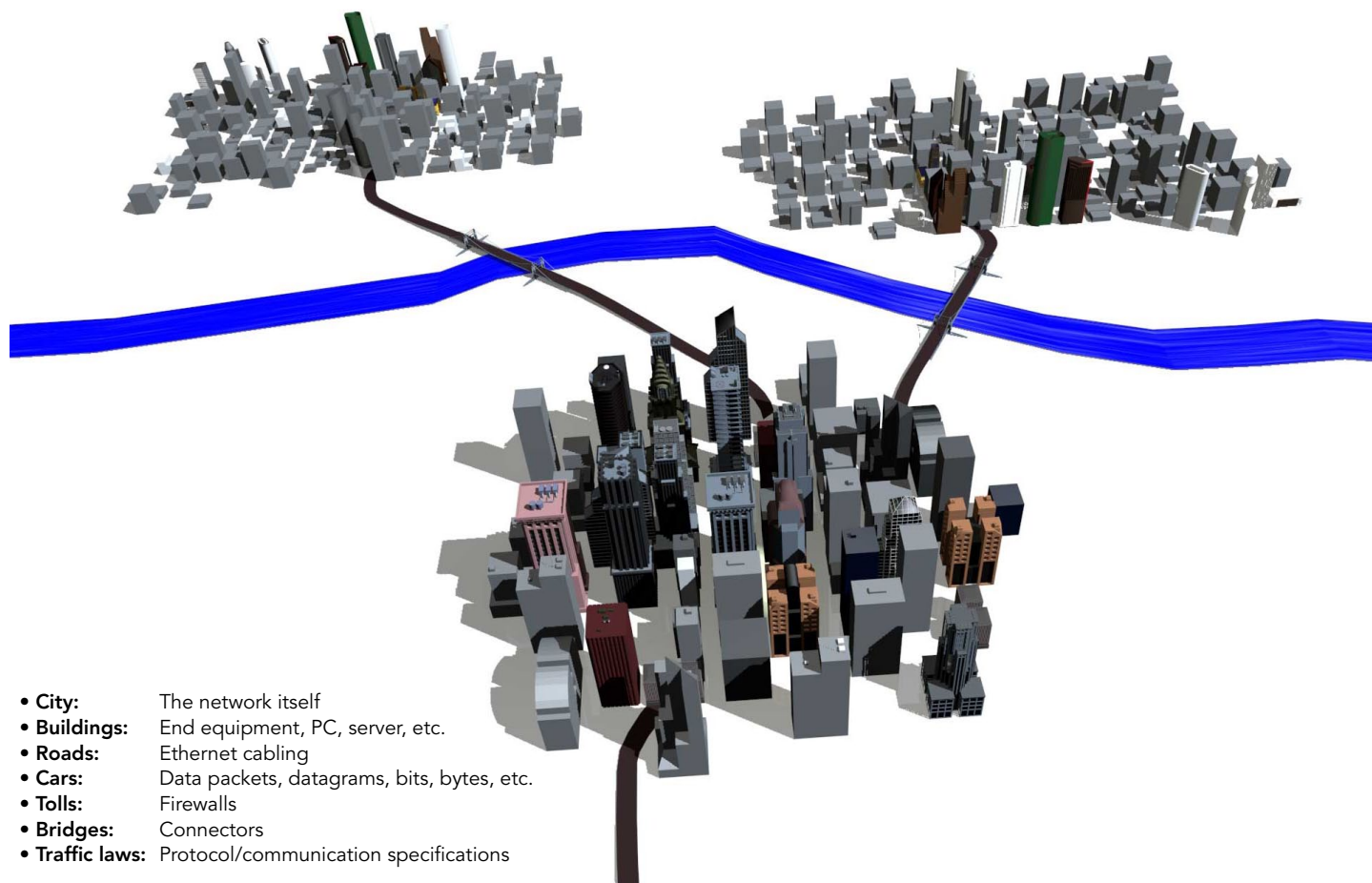


Type 6 rating can be either Type 6 or Type 6P - please see below:

6	IP67	Enclosures constructed for either indoor or outdoor use to provide a degree of protection to personnel against incidental contact with the enclosed equipment, falling dirt, hose-directed water, the entry of water during occasional temporary submersion at a limited depth and damage from external ice formation.
6P	IP68	Enclosures constructed for either indoor or outdoor use to provide a degree of protection to personnel against incidental contact with the enclosed equipment, falling dirt, hose-directed water, the entry of water during prolonged submersion at a limited depth and damage from external ice formation.

Ethernet for the Layman

In order to explain basic Ethernet theory, we can use a functional comparison to a busy city with highways, buildings and cars. To illustrate this, the table below provides correlation between the different components/pieces/links that encompass Ethernet network connectivity, and the larger scale infrastructure of a metropolitan city.



Ethernet Basics

Ethernet is a widely used communications protocol that is used to transmit data packets (datagrams) between network devices. Imagine a highway in a large metropolitan area six lanes wide at rush hour. The vehicles on the highway need rules to follow so that they get to their destination without crashing into each other. In an Ethernet network link, there could be 100 million bits of information transmitted in one second. In the Ethernet standard, there exist rules to govern packet structure, transmission requirements, error correction, communication with end equipment, etc.

Examining the differences between 100Mhz, 100 Base TX, Cat5e/Cat6. What does it all mean?

When discussing connectors and Ethernet, there are a few key details to be aware of:

- 100Mhz is a measurement of Frequency for the signal
 - Comparable to the Speed Limit of a highway
- 100BaseTX (or Fast Ethernet) is an Ethernet link standard and identifies available link bandwidth. The bandwidth is measured in units of Mbits/S (megabits per second)
 - Comparable to the number of cars that pass a point in one second
- Cat5e/Cat6 are an EIA/TIA standard for performance and physical characteristics for cables and connectors
 - Comparable to performance specifications of the car and highway.

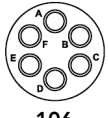
In connectors and cables, Fast Ethernet uses 2 pairs. One for transmit and one for receive. This way data traffic can flow in both directions simultaneously.

Souriau offering:

Standard solutions.

UTO size 10, 6 contacts - Cat5e
Twisted pairs

1 (Pair 1) ➔ A
2 (Pair 1) ➔ B
3 (Pair 2) ➔ E
4 (Pair 2) ➔ D

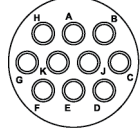


106
6 Ø 1 (#20)

Shielding continuity done in cavity C&F.
Note: Shielding can be replaced by DC power.

UTO size 12, 10 contacts - Cat5e
Twisted pairs

1 (Pair 1) ➔ C
2 (Pair 1) ➔ B
3 (Pair 2) ➔ G
4 (Pair 2) ➔ H

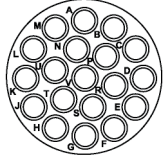


1210
10 Ø 1 (#20)

Cat6 if shielding continuity done by other contact

UTO size 16, 19 contacts -Cat5e
Twisted pairs (1Gb/s)

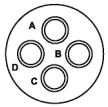
1 (Pair 1) ➔ A
2 (Pair 1) ➔ B
3 (Pair 2) ➔ D
4 (Pair 2) ➔ E
5 (Pair 3) ➔ G
6 (Pair 3) ➔ H
7 (Pair 4) ➔ K
8 (Pair 4) ➔ L



1619
19 Ø 1.6 (#16)

UTO size 10, 4 contacts - Cat6
Quad cable

1 (Pair 1) ➔ A
2 (Pair 1) ➔ B



104
4 Ø 1.6 (#16)

What about using coax contacts ?

Ethernet twisted pairs carry a symmetrical (balanced) signal. Once terminated into a coax contact, the inner core will be protected by a shield - but not the outer contact. Because of EMI issues, the signal will no longer be balanced. Conclusion - it does not work and is not recommended.

What about using Quadrax contacts ?

The Quadrax contact is used in railway applications because of the use of quad cable. In this specific market, the standard Ethernet twisted pairs wires cannot be offered, they are too thin and often solid (not stranded).

In the rest of industry, UTP (Unshielded Twisted Pairs) cables are widely used. The Quadrax contact is not designed to terminate them. And thus, are not advised for industrial applications.

Conclusion

To carry 100Mb/s data signal, 100BaseTX or Fast Ethernet recommends the use of Cat5e connectors as well as Cat5e cable with the support of a 100MHz signal. Nevertheless, a 100Mb/s signal can be transmitted in certain conditions (short distance, only one connector, lower frequency but a different code) thru many other connection materials - not necessarily Cat5e rated.

UTO SERIES

Appendices

■ #16 Coaxial Contacts/Cabling Notices	168
■ Glossary of Terms	175
■ Drilling Pattern	176
■ Discrimination/Keying Methods	180
■ Part Number Index	181

#16 Coaxial Contacts

Coaxial Cable - Contact Monocrimp and Multipiece

Cable type	Impedance	Contact type	Ø over jacket		Ø over dielectric		Inner cond size Ext. Ø mm	Ø outer braid		Male contact kit for coaxial cable	Female contact kit for coaxial cable
			inch	mm	inch	mm		inch	mm		
RG161/U	75	Multi piece	0.09"	2.29	0.057"	1.45	-	-	-	RMDXK10D28	RCDXK1D28
RG179A/U	75		0.105"	2.67	0.063"	1.6	0.3	0.084"	2.13 max		
RG179B/U	75		0.105"	2.67	0.063"	1.6	0.3	0.084"	2.13 max		
RG187/U	75		0.11"	2.79 max	0.06"	1.52	0.3				
RG188/U	50		0.11"	2.79 max	0.06"	1.52	0.51	0.078"	1.98 max		
RG174/U	50		0.11"	2.92	0.06"	1.52	0.48	0.088"	2.24 max		
AMPHENOL 21-598	50		0.105"	2.67	0.06"	1.52	0.48	-	-		
RG196/U	50		0.08"	2.03 max	0.034"	0.086	0.3	-	-		
RG178A/U	50		0.075"	1.91	0.034"	0.86	0.3	0.054"	1.37 max		
RG/188A/U	50	Mono crimp	0.110"	2.79	0.06"	1.52	0.51	0.078"	1.98 max	RMDX6036D28	RCDX6036D28
KX21TVT (europe) RG178 B/U	50		0.075"	1.91	0.034"	0.86	0.3	0.054"	1.37 max	RMDX6034D28	RCDX6034D28
RG178 / BU	50		0.075"	1.91	0.034"	0.86	0.3	0.054"	1.37 max	RMDX6050D28	RCDX6016D28
RG174/U	50		0.115"	2.92	0.06"	1.52	0.48	0.088"	2.24 max	RMDX6032D28	RCDX6032D28
RG188A/U	50		0.11"	2.79	0.06"	1.52	0.51	0.078"	1.98 max	RMDX6036D28	RCDX6036D28
RG316/U	50		0.107"	2.72	0.06"	1.52	0.51	0.078"	2.05 max	RMDX6036D28	RCDX6036D28
raychem 5024A3111	50		0.12"	3.05	0.083"	2.11	0.64	0.097"	2.46	RMDX6052D28	RCDX6052D28
raychem 5026e1614	50		0.083"	2.11	0.05"	1.27	0.48	0.067"	1.7	RMDX6036D28	RCDX6036D28
surprenant pn 8134	-		Multi piece	0.1"	2.54	0.058"	1.47	0.3	-	-	RMDXK10D28
PRD PN 247AS-C1123-001	-	Mono crimp	0.103"	2.62	0.06"	1.52	0.51	0.078"	1.98	RMDX6018D28	RCDX6018D28
PRD PN 247AS-C1251	-		0.092"	2.34	0.05"	1.27	0.64	0.067"	1.7	RMDX6018D28	RCDX6018D28
JUDD C15013010902	-		0.087"	2.13	0.05"	1.27	0.48	0.066"	1.67	RMDX6036D28	RCDX6036D28
CDC PIN22939200	-		0.09"	2.29	0.048"	1.22	0.3	0.064"	1.63	RMDX6046D28	RCDX6016D28
CDC PIN22939200	-		0.09"	2.29	0.048"	1.22	0.3	0.064"	1.63	RMDX6050D28	RCDX6016D28
CDC PIN245670000	-		0.104"	2.64	0.067"	1.7	0.3	0.083"	2.11	RMDX6050D28	RCDX6016D28
ampex	-		0.114"	2.9	0.075"	1.91	0.38	0.09"	1.29	RMDX6032D28	RCDX6032D28
TI PN 920580	-		0.7"	1.78	0.038"	0.96	0.48	0.054v	1.37	RMDX6024D28	RCDX6024D28
Honeywell PN 58000062	-		0.12"	3.05	0.077"	1.96	0.41 solid	0.096"	2.44	RMDX6026D28	RCDX6026D28
-	-		0.104"	2.64	0.067"	1.7	0.3	-	2.11	RMDX6050D28	-
-	-		0.09"	2.29	0.048"	1.22	0.3	-	1.63	RMDX6050D28	-
-	-		0.114"	2.9	0.075"	1.91	0.38	-	1.29	RMDX6032D28	RCDX6032D28
-	-		0.07"	1.78	0.038"	0.96	0.48	-	1.37	RMDX6024D28	RCDX6024D28
-	-		0.12"	3.05	0.077"	1.96	0.41	-	2.44	RMDX6026D28	RCDX6026D28

Twisted Cable - Contact Monocrimp and Multipiece

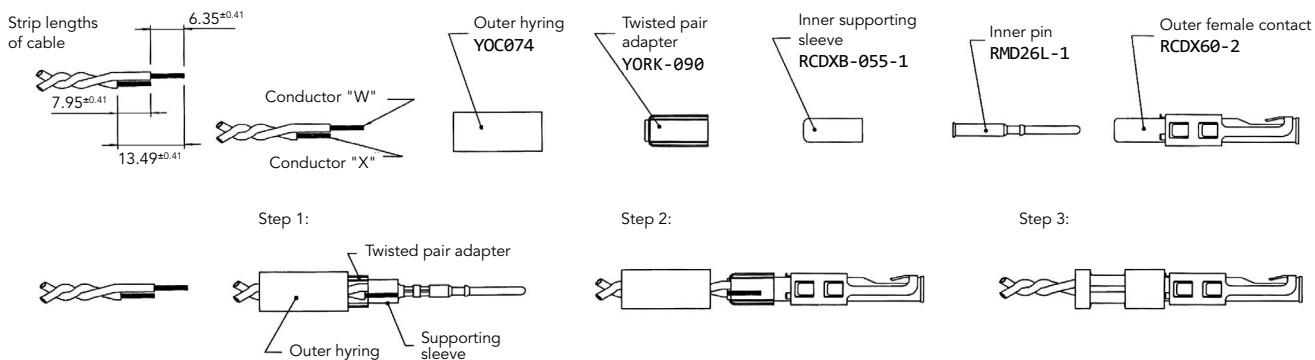
Cable type	Contact type	Inner AWG cond	Ø over jacket (single wire)		Inner cond size		Ø outer braid		Male contact kit for coaxial cable	Female contact kit for coaxial cable
			inch	mm	Stranded definition	Ext. Ø mm	inch	mm		
2#24 stranded MIL-W-16878 type B	Multi piece	24	0.049"	1.24 max	7/.008		-	-	RMDXK10D28	RCDXK1D28
2 #24 solid MIL-W-76 type LW		24	0.047"	1.12 max	1/.0201		-	-	RMDXK10D28	RCDXK1D28
2 #26 stranded MIL-W-76 type LW or MIL-W-16878 type B&E		26	0.043"	1.09 max	7/.0063	0.16	-	-	RMDXK10D28	RCDXK1D28
2 #28 solid MIL-W-81822/3		28	0.028"	0.71 max			-	-	RMDXK10D28	RCDXK1D28
Twisted pair 1/.201 solid MIL-W-76 type LW or MIL-W-16878		26	0.044"	1.12 max	1/.0201	0.511	-	-	RMDXK10D28	RCDXK1D28
Twisted pair solid MIL-W-81822/3		28	0.028"	0.71 max	1/.0126	0.32	-	-	RMDXK10D28	RCDXK1D28
#28 7/.0036 per Hitachi spec ec-711 (13-2820)	Mono crimp	-	0.046"	1.17	7/.0036	-	-	-	RMDX6031D28 + YORX090	RCDX6031D28 + YORX090
20218201		-	0.028"	0.71	-	-	-	-	RMDX6031D28 + YORX090	RCDX6031D28 + YORX090
#30 solid		-	0.025"	0.64	-	-	-	-	RMDX6015D28 + YORX090	RCDX6015D28 + YORX090
#26 7/.0063		26	0.028"	0.71	7/.063	0.16	-	-	RMDX6031D28 + YORX090	RCDX6031D28 + YORX090
#26 19/.004		26	0.049"	1.24	19/.004	-	-	-	RMDX6019D28 + YORX090	RCDX6019D28 + YORX090
#24 7/.008		24	0.049"	1.24	7/.008	-	-	-	RMDX6019D28 + YORX090	RCDX6019D28 + YORX090
#24 19/.005		24	0.057"	1.45	19/.005	-	-	-	RMDX6019D28 + YORX090	RCDX6019D28 + YORX090
-		26	-	1.25	-	-	-	19x0.1	RMDX6019D28 + YORX090	RCDX6019D28 + YORX090
-		24	-	1.25	-	-	-	7x0.2	RMDX6019D28 + YORX090	RCDX6019D28 + YORX090
-		24	-	1.45	-	-	-	19x0.13	RMDX6019D28 + YORX090	RCDX6019D28 + YORX090
-		26	-	0.7	-	-	-	7x0.16	RMDX6031D28 + YORX090	RCDX6031D28 + YORX090

#16 Coaxial Contacts (Continued)

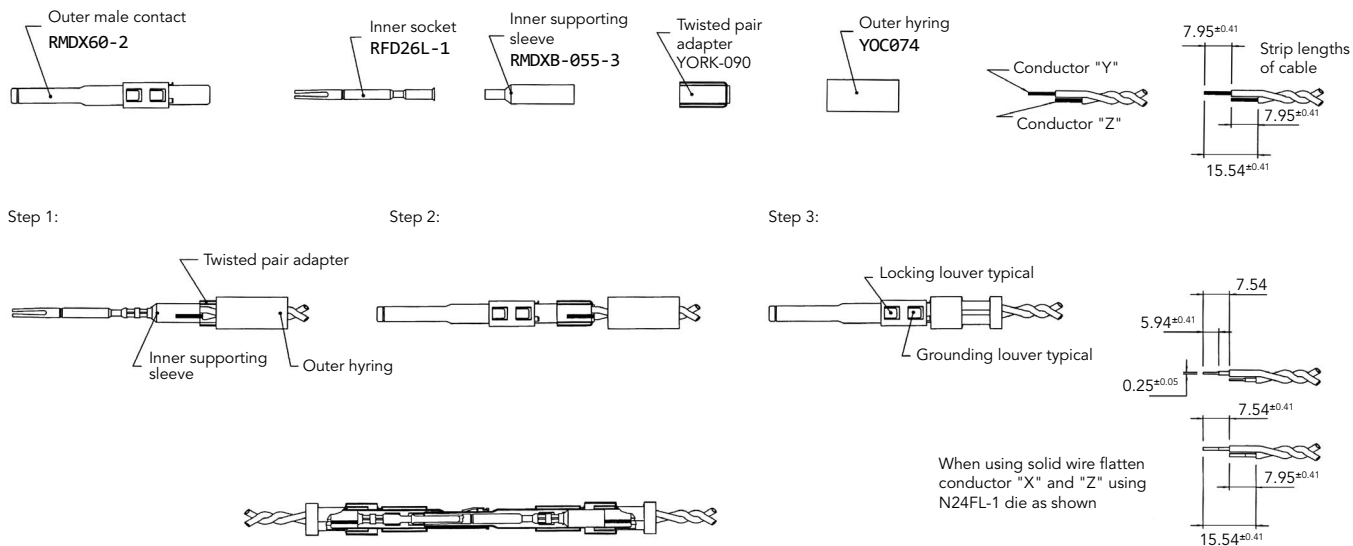
Twisted Pair Cable Multipiece Contact Cabling

Cable reference	Contact type	Male contact	Female contact	Crimp tool	Die set	Stop bushing	Cable strip length			Inner conductor crimp		Braid crimp	
							A	B	C	g dim	t dim	g dim	t dim
2#24 stranded mil w 16878 type B	Multi piece	RMDXK10D28	RCDXK1D28	M10S1J	-	-				See assembly notice			
2 #24 solid mil-w-76 type LW													
2 #26 stranded mil w 76 type LW or mil w16878 type B & E													
2 #28 solid mil-w-81822/3													
twisted pair 1/.201 solid mil w 76 type LW or mil w 16878													
twisted pair solid mil w 81822/3													

Female contact



Male contact



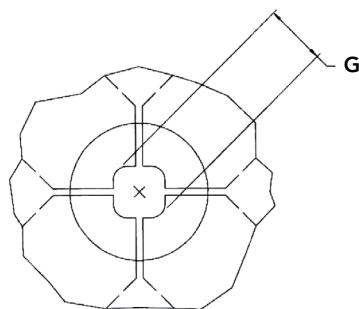
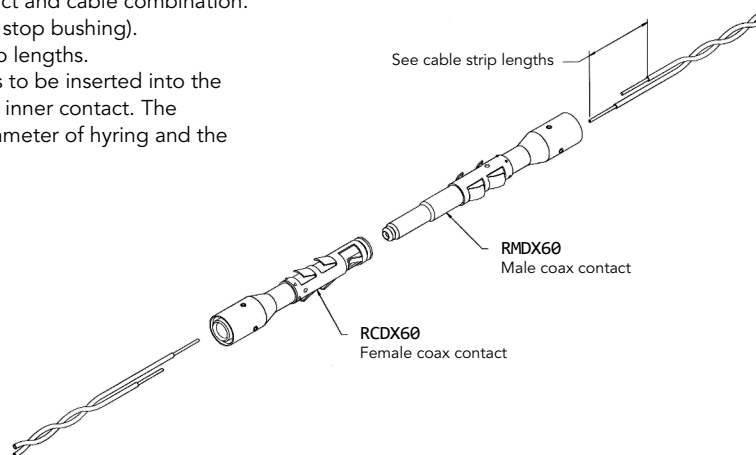
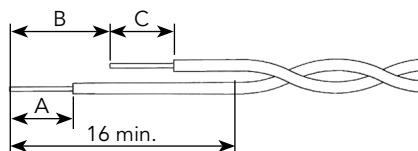
Note : all dimensions are in mm

Twisted Pair Cable Monocrimp Contact Cabling

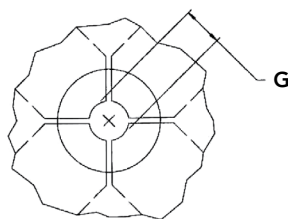
Cable reference	Contact type	Male contact	Female contact	Crimp tool	Die set	Stop bushing	Cable strip length			Inner conductor crimp		Braid crimp		
							A	B	C	g dim	t dim	g dim	t dim	
#28 7/.0036 per Hitachi spec ec-711 (13-2820)	Mono crimp	RMDX6031D28 + YORX090	RCDX6031D28 + YORX090	M10S1J	S80	SL105	4.7	6.1	4.32	1.30 to 1.12	1.4 to 1.22	2.97 to 2.84	3.07 to 2.9	
20218204							3.94	6.1	3.16	1.30 to 1.17	1.4 to 1.22	2.97 to 2.84	3.07 to 2.79	
#30 solid							4.7	6.1	4.06	1.22 to 1.12	1.35 to 1.22	2.97 to 2.84	3.12 to 2.95	
#26 7/.0063							4.7	6.1	4.06	1.30 to 1.17	1.4 to 1.22	2.97 to 2.84	3.07 to 2.9	
#26 19/.004							4.7	6.1	4.06	1.22 to 1.17	1.35 to 1.22	2.84 to 2.79	3.12 to 2.97	
#24 7/.008							4.7	6.1	4.06	1.22 to 1.17	1.35 to 1.22	2.84 to 2.79	3.12 to 2.97	
#24 19/.005							4.7	6.1	4.06	1.22 to 1.17	1.35 to 1.22	2.84 to 2.79	3.12 to 2.97	
AWG26 (19x0.1)							M10SG8 ASSY'Y TOOL DIE SET STOP BUSHING M10S1J TOOL	4.7	6.1	4.06	1.22 to 1.17	1.35 to 1.22	2.84 to 2.79	3.12 to 2.97
AWG24 (7x0.2)														
AWG24 (19x0.13)														
AWG26 (7x0.16)														
											M10SG8 crimping kit	4.7	6	4
					S80	SL105								

- Select appropriate monocrimp coax twisted pair contact and cable combination.
- Select appropriate crimp tooling (hand tool, S-die set, stop bushing).
- Strip the twisted pair cable to the designated wire strip lengths.
- Insert the stripped cable into the contact. One cable is to be inserted into the inside diameter of hyring, and pushed forward into the inner contact. The second cable is to be inserted between the outside diameter of hyring and the inside diameter of the outer contact body.
- Crimp the contact.

Cable strip length



Braid crimp (G) to be measured with die set fully closed



Inner conductor crimp (G) to be measured with die set fully closed

Note : all dimensions are in mm

#16 Coaxial Contacts (Continued)

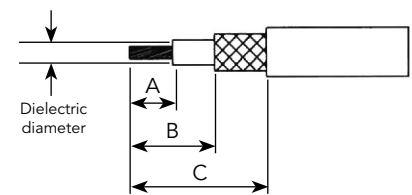
Multipiece Male Contact with Coax Cable

Cable reference	Contact	Hyring complementary compoments	Outer contact crimp tool		Inner contact crimp tool		Cable strip length		
			Crimp tool M10S1J		Crimp tool M10S1J		A	B	C
			Die set	Stop bushing	Die set	Stop bushing			
RG161U	Male: RMDXK10D28	YOC074	S221	SL471	S23D2	SL46D2	4.37	7.95	15.88
RG179							4.37	7.95	15.88
RG187U							4.37	7.95	15.88
RG188/U		YOC074 + RMDXB0553			S26D2		4.37	7.95	15.88
RG174/U							4.37	7.95	15.88
RG178A/U							S23D2	7.54	9.12
RG196U		7.54			9.12			17.53	
AMPHENOL 21-598		YOC074			-		4.37	7.95	15.88
surprenant pn 8134					-		4.37	7.95	15.88

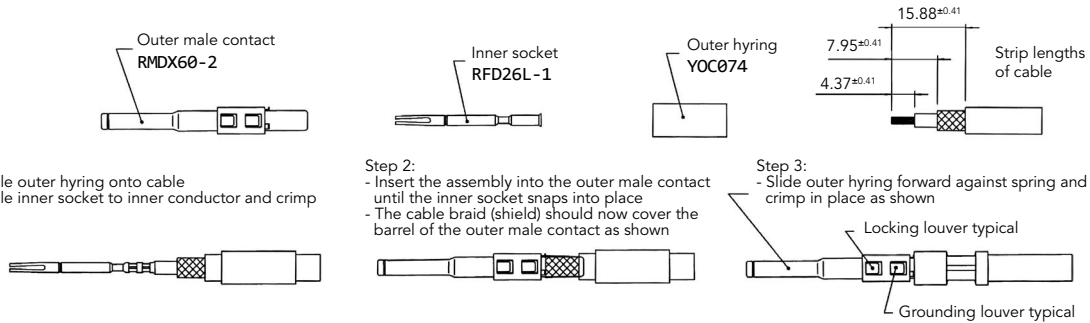
Multipiece kit details

RMDXK10D28 includes	RMDX602D28	Outer contact
	RFD26L1D28	Inner contact
	YOC074	Outer hyring
	RMDXB0553	Inner supporting sleeve

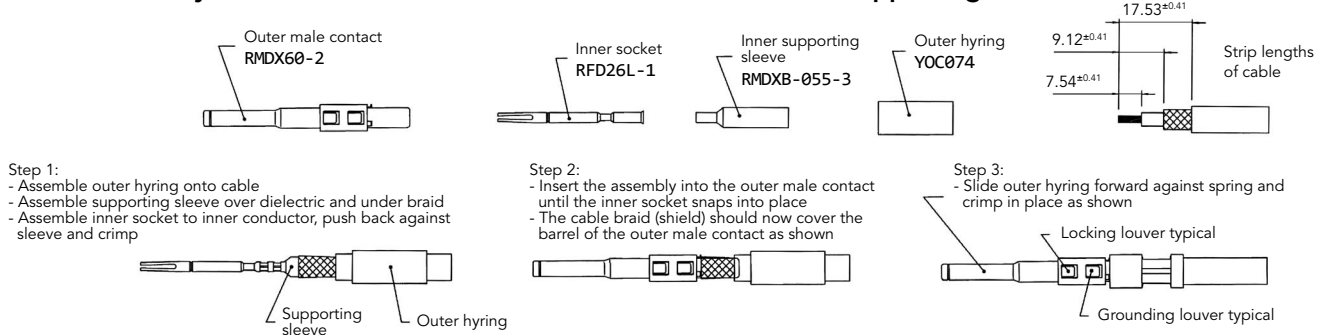
Cable strip length



Contact assembly with dielectric diameter over 1.4mm - without inner supporting sleeve



Contact assembly with dielectric diameter under 1.4mm - with inner supporting sleeve



Note : all dimensions are in mm

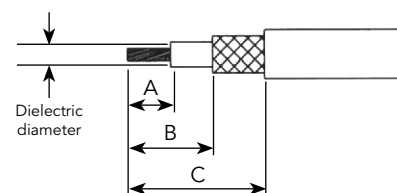
Multipiece Female Contact with Coax Cable

Cable reference	Contact	Hyring complementary compoments	Outer contact crimp tool		Inner contact crimp tool		Cable strip length		
			Crimp tool M10S1J		Crimp tool M10S1J		A	B	C
			Die set	Stop bushing	Die set	Stop bushing			
RG161U	Female: RCDXK1D28	YOC074	S221	SL471	S23D2	SL46D2	4.37	-	11.13
RG179							4.37		11.13
RG187U							4.37		11.13
RG188/U							4.37		11.13
RG174/U		YOC074 + RMDXB0553			4.37		11.13		
RG178A/U					6.35		11.13		
RG196U					6.35		11.13		
AMPHENOL 21-598		YOC074			-		4.37		11.13
surprenant pn 8134					-		4.37		11.13

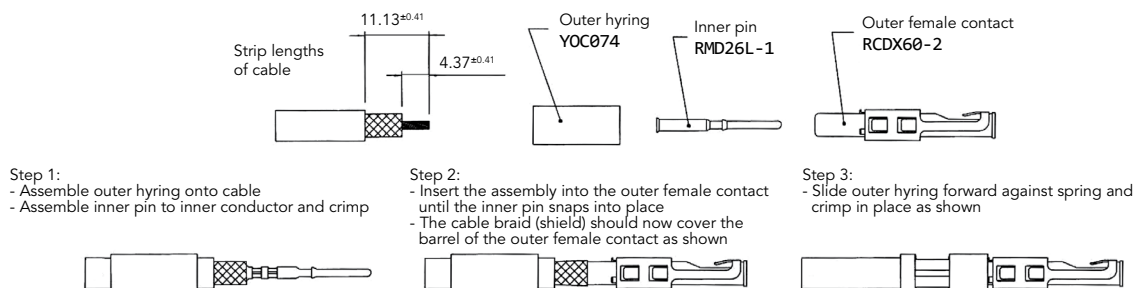
Multipiece kit details

RCDXK1D28 includes	Part	Description
	RCDX602D28	Outer contact
	RMD26L1D28	Inner contact
	YOC074	Outer hyring
	RCDXB0553	Inner supporting sleeve

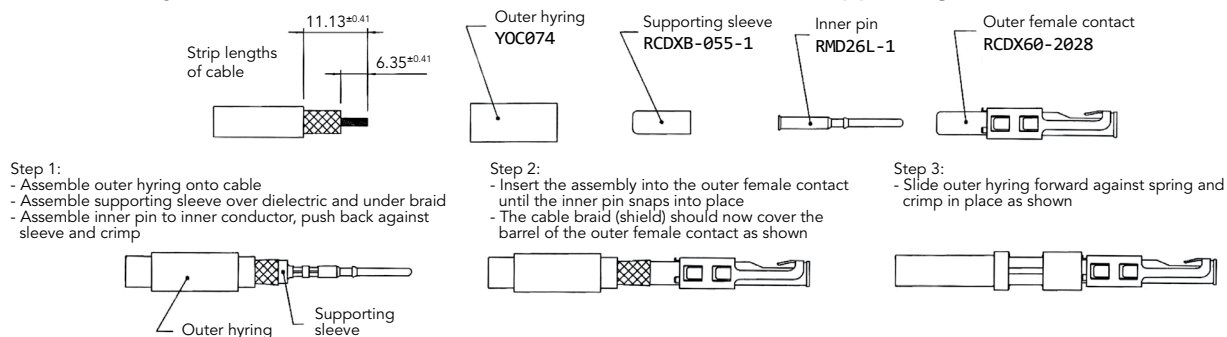
Cable strip length



Contact assembly with dielectric diameter over 1.4mm - without inner supporting sleeve



Contact assembly with dielectric diameter under 1.4mm - with inner supporting sleeve



Note : all dimensions are in mm

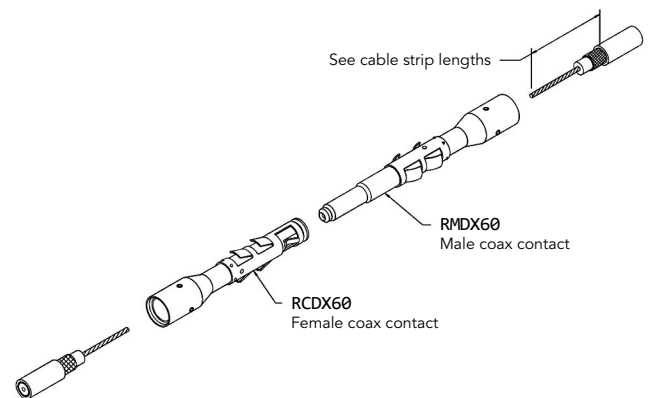
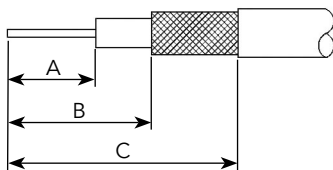
#16 Coaxial Contacts (Continued)

Coax Cable with Monocrimp Contact Cabling

Cable reference	Male contact	Female contact	Crimp tool	Die set	Stop bushing	Cable strip length			Inner conductor crimp		Braid crimp		
						A	B	C	g dim	t dim	g dim	t dim	
CDC PIN22939200	RMDX6046D28	RCDX6016D28	M1051J	S80	SL105	4.19	5.97	8.51	1.30/1.17	1.40/1.22	2.77/2.64	3.02/2.84	
CDC PIN22939200	RMDX6046D28	RCDX6016D28		S87	SL105	5.08	6.35	8.89	1.30/1.17	1.40/1.22	2.77/2.64	3.02/2.84	
CDC PIN245670000	RMDX6050D28	RCDX6016D28		S80	SL105	5.08	6.35	8.89	1.30/1.17	1.40/1.22	2.97/2.84	3.12/2.95	
KX21TVT (europe) RG178 B/U	RMDX6034D28	RCDX6034D28		S82	SL105	5.08	6.35	8.89	1.30/1.17	1.32/1.17	2.84/2.74	3.07/2.9	
RG178 / BU	RMDX6050D28	RCDX6016D28		S87	SL105	5.08	6.35	8.89	1.30/1.17	1.40/1.22	2.77/2.64	3.02/2.84	
ampex	RMDX6032D28	RCDX6032D28		S80	SL105	5.08	6.35	11.68	1.30/1.17	1.40/1.22	2.97/2.84	3.12/2.95	
TI PN 920580	RMDX6024D28	RCDX6024D28		S82	SL105	5.08	6.35	8.89	1.35/1.19	1.42/1.27	2.87/2.74	3.07/2.9	
RG174/U	RMDX6032D28	RCDX6032D28		S80	SL105	5.08	6.35	11.68	1.30/1.17	1.40/1.22	2.97/2.84	3.12/2.95	
Honeywell PN 58000062	RMDX6026D28	RCDX6026D28		S82	SL105	5.08	6.35	8.89	1.35/1.19	1.42/1.27	2.87/2.74	3.07/2.9	
RG188A/U	RMDX6036D28	RCDX6036D28		S80	SL105	5.08	6.35	11.68	1.30/1.17	1.40/1.22	2.97/2.84	3.12/2.95	
RG316/U	RMDX6036D28	RCDX6036D28		S80	SL105	5.08	6.35	11.68	1.30/1.17	1.40/1.22	2.97/2.84	3.12/2.95	
PRD PN 247AS-C1123-001	RMDX6018D28	RCDX6018D28		M105G8 TOOL ASS'Y TOOL DIE SET STOP BUSHING M1051J TOOL			5.08	6.35	8.89	1.22/1.17	1.35/1.22	2.92/2.79	3.12/2.97
PRD PN 247AS-C1251	RMDX6018D28	RCDX6018D28					5.08	6.35	8.89	1.22/1.17	1.35/1.22	2.92/2.79	3.12/2.97
raychem 5024A3111	RMDX6052D28	RCDX6052D28		S88	SL105	5.08	6.35	11.68	1.37/1.27	1.45/1.32	2.92/2.79		
raychem 5026e1614	RMDX6036D28	RCDX6036D28		M105G8 TOOL ASS'Y TOOL DIE SET STOP BUSHING M1051J TOOL			5.08	6.35	8.89	1.22/1.17	1.35/1.22	2.92/2.79	3.12/2.97
JUDD C15013010902	RMDX6036D28	RCDX6036D28					5.08	6.35	8.89	1.22/1.17	1.35/1.22	2.92/2.79	3.12/2.97
inner cond. #30, braid diam 2.64	RMDX6050D28	-		S80	SL105	5.1	6.35	8.9	-	-	-	-	
inner cond. #30, braid diam 2.29	RMDX6050D28	-		S87	SL105	4.2	6.35	8.5	-	-	-	-	
inner cond. #28, braid diam 2.9	RMDX6032D28	RCDX6032D28		S80	SL105	5.1	6.35	11.7	-	-	-	-	
inner cond. #26, braid diam 1.78	RMDX6024D28	RCDX6024D28		S82	SL105	5.1	6.35	8.9	-	-	-	-	
inner cond. #26, braid diam 3.05	RMDX6026D28	RCDX6026D28	S82	SL105	5.1	6.35	8.9	-	-	-	-		

- Select appropriate cable and contact combination.
- Select appropriate crimp tooling (hand tool, S-die set, stop bushing).
- Strip coax cable to the designated wire strip lengths.
- Insert the stripped coax into the rear of the contact.
- Crimp the contact.

Cable strip length



Glossary of Terms

• **Clearance**

Per the IEC 60664-1 it is the shortest distance between two conductive parts even over the air.

• **Creepage distance**

Per the IEC 60664-1 it represents the shortest distance along the surface of the insulating material between two conductive parts.

• **Working voltage**

Per the IEC 60664-1 it is the highest r.m.s. value of A.C. or D.C. voltage across any particular insulation which can occur when the equipment is supplied at rated voltage.

• **Rated impulse voltage**

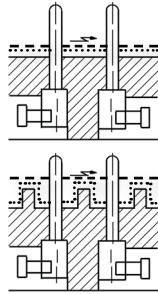
Impulse withstands voltage value assigned by the manufacturer to the equipment or to a part of it characterizing the specified withstand capability of its insulation against transient overvoltage.

• **Working current**

It is the maximum continuous and not interrupted current able to be carried by all contacts without exceeding the maximum temperature of the insulating material.

• **Transient voltage**

Extract from the IEC 60664-1: Short duration overvoltage of a few millisecond or less, oscillatory or non-oscillatory, usually highly damped.



— — — — — Air gap
 Creepage distance

• **CTI (Comparative Tracking Index)**

The CTI value is commonly used to characterize the electrical breakdown properties of an insulating material. It allows users to know the tendency to create creepage paths. This value represents the maximum voltage after 50 drops of ammonium chloride solution without any breakdown.

• **RTI (Relative temperature Index):**

Extract from ULs website:

Maximum service temperature for a material, where a class of critical property will not be unacceptably compromised through chemical thermal degradation, over the reasonable life of an electrical product, relative to a reference material having a confirmed, acceptable corresponding performance defined RTI.

- **RTI Elec:** Electrical RTI, associated with critical electrical insulating properties.

- **RTI Mech Imp:** Mechanical Impact RTI, associated with critical impact resistance, resilience and flexibility properties.

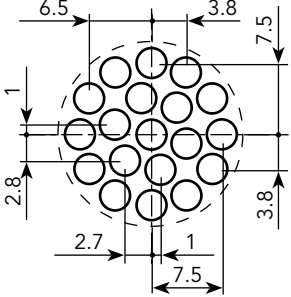
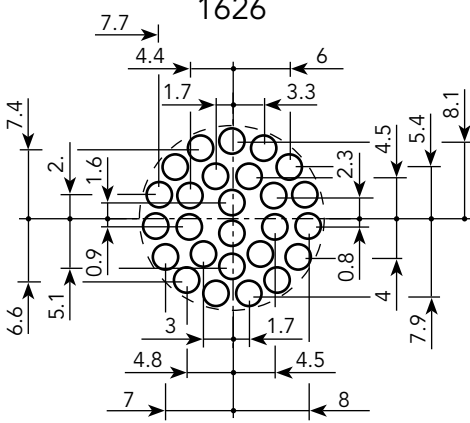
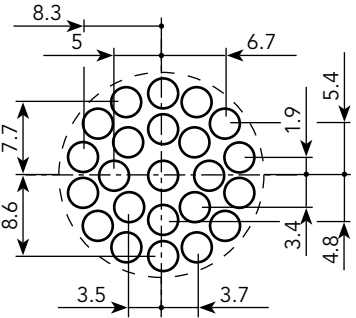
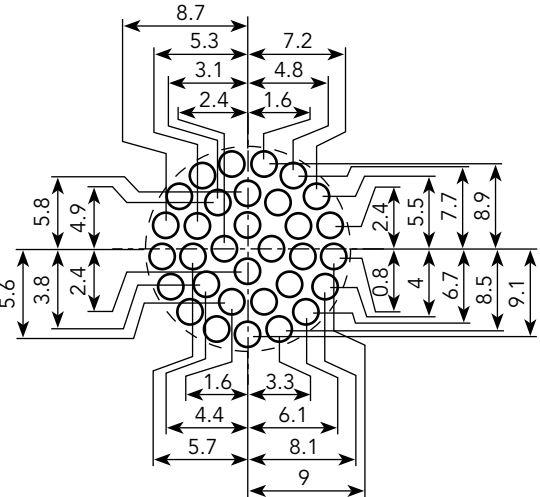
- **RTI Mech Str:** Mechanical Strength (Mechanical without Impact) RTI, associated with critical mechanical strength where impact resistance, resilience and flexibility are not essential.

Drilling Pattern

Hole sizes: #20=0.9mm, #16=1.3mm, #8=3.8mm

Shell Size	Dimensions (mm)				
10	<p>103</p>	<p>104</p>	<p>106</p>	<p>102W2</p>	<p>103W3</p>
	12	<p>124</p>	<p>128</p>	<p>1210</p>	
14		<p>142G1</p>	<p>147</p>	<p>148</p>	
	<p>1412</p>	<p>1492</p>	<p>1419</p>		

Hole sizes: #20=0.9mm, #16=1.3mm, #8=3.8mm

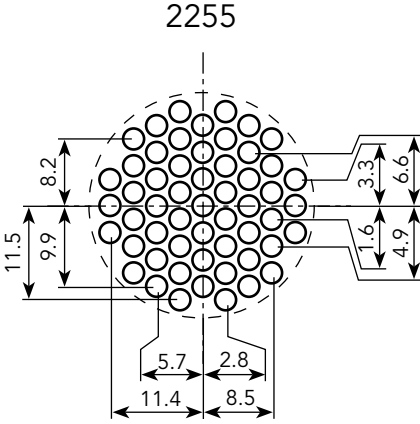
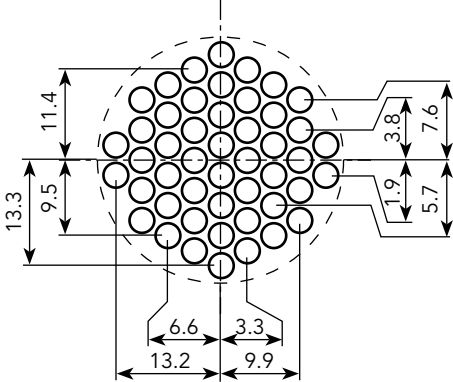
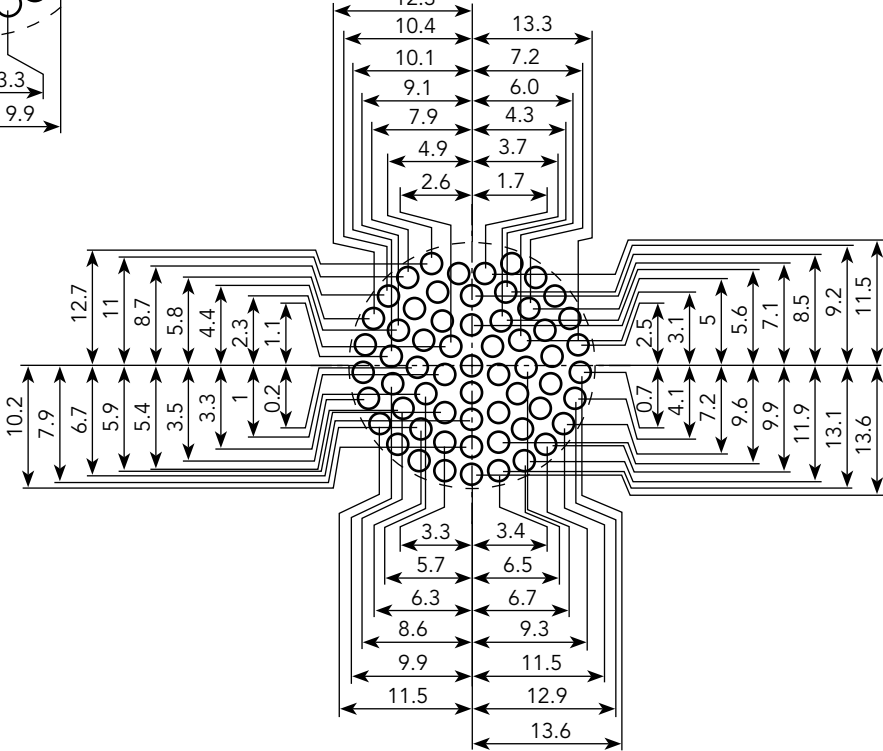
Shell Size	Dimensions (mm)
16	<div style="display: flex; justify-content: space-around; align-items: center;"> <div style="text-align: center;"> <p>1619</p>  </div> <div style="text-align: center;"> <p>1626</p>  </div> </div>
18	<div style="display: flex; justify-content: space-around; align-items: center;"> <div style="text-align: center;"> <p>1823</p>  </div> <div style="text-align: center;"> <p>1832</p>  </div> </div>

Drilling Pattern (Continued)

Hole sizes: #20=0.9mm, #16=1.3mm, #8=3.8mm

Shell Size	Dimensions (mm)	
20	<p style="text-align: center;">2028</p>	<p style="text-align: center;">2030</p>
	<p style="text-align: center;">2041</p>	
	<p style="text-align: center;">2235</p>	<p style="text-align: center;">2238</p>

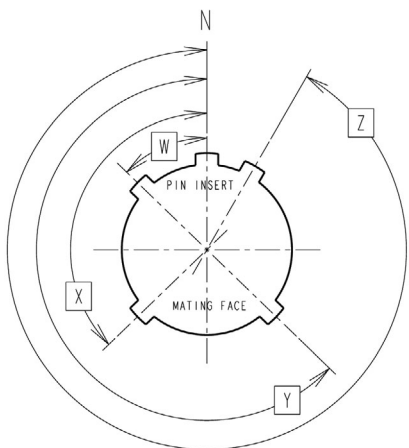
Hole sizes: #20=0.9mm, #16=1.3mm, #8=3.8mm

Shell Size	Dimensions (mm)
22	<p style="text-align: center;">2255</p> 
24	<div style="display: flex; justify-content: space-around;"> <div data-bbox="362 926 812 1346"> <p style="text-align: center;">2448</p>  </div> <div data-bbox="600 1150 1477 1959"> <p style="text-align: center;">2461</p>  </div> </div>

Discrimination/Keying Methods

In applications where similar connectors are used next to each other, mismatching can cause disturbances, system failure or even danger to operating personnel.

To eliminate mismatching, all Trim Trio® connectors are offered with discrimination keys to avoid interconnection system errors. In addition, the connector insert can also be rotated inside the shell to create custom keying options.



Connectors with rotated inserts can be ordered by adding the suffix W, X, Y or Z to the standard part number.

e.g. **UT0W0106PH** (standard key) → **UT0W0106PWH** (W key)

Consult us for overmolded harnesses.

Shell size	Layout	Discrimination key degrees			
		W	X	Y	Z
10	103	-	-	-	-
	102W2	-	-	-	-
	104	45°	-	-	-
	103W3	-	-	-	-
	106	90°	-	-	-
12	124	-	-	-	-
	128	26°	-	-	-
	1210	60°	155°	270°	295°
14	142G1	-	-	-	-
	147	-	-	-	-
	148	-	-	-	-
	1412	60°	-	-	-
	1492	49°	71°	145°	-
16	1419	30°	165°	315°	-
	1619	30°	165°	-	315°
18	1626	60°	-	275°	338°
	1823	-	158°	-	270°
20	1832	85°	138°	222°	265°
	2028	79°	-	259°	-
	2030	34°	90°	123°	259°
22	2041	45°	126°	225°	-
	2235	13°	162°	198°	265°
	2238	15°	47°	150°	331°
24	2255	30°	142°	226°	314°
	2448	60°	120°	189°	351°
	2461	90°	180°	270°	324°

SMSPKE0 (only for UTO layouts using #16 contacts)

When one of these dummy contacts is used, the UTO connector will only mate with a connector which has a vacant cavity at the corresponding position.

The material used is polyamide 6.6.



Part Number Index

Connectors

UT00102W2PH.....	P. 32	UT002235SH.....	P. 100	UT062028SH.....	P. 88
UT00102W2PH6.....	P. 32	UT002235SH6.....	P. 100	UT062028SH02.....	P. 88
UT00102W2SH.....	P. 32	UT002238PH.....	P. 104	UT062030PH.....	P. 92
UT00102W2SH6.....	P. 32	UT002238PH6.....	P. 104	UT062030PH02.....	P. 92
UT00103PH.....	P. 20	UT002238SH.....	P. 104	UT062030SH.....	P. 92
UT00103PH6.....	P. 20	UT002238SH6.....	P. 104	UT062030SH02.....	P. 92
UT00103SH.....	P. 20	UT002448PH.....	P. 112	UT062235PH.....	P. 100
UT00103SH6.....	P. 20	UT002448PH6.....	P. 112	UT062235PH02.....	P. 100
UT00103W3PH.....	P. 40	UT002448SH.....	P. 112	UT062235SH.....	P. 100
UT00103W3PH6.....	P. 40	UT002448SH6.....	P. 112	UT062235SH02.....	P. 100
UT00103W3SH.....	P. 40	UT06102W2PH.....	P. 32	UT062238PH.....	P. 104
UT00103W3SH6.....	P. 40	UT06102W2PH02.....	P. 32	UT062238PH02.....	P. 104
UT00104PH.....	P. 36	UT06102W2SH.....	P. 32	UT062238SH.....	P. 104
UT00104PH6.....	P. 36	UT06102W2SH02.....	P. 32	UT062238SH02.....	P. 104
UT00104SH.....	P. 36	UT06103PH.....	P. 20	UT062448PH.....	P. 112
UT00104SH6.....	P. 36	UT06103PH02.....	P. 20	UT062448PH02.....	P. 112
UT00124PH.....	P. 28	UT06103SH.....	P. 20	UT062448SH.....	P. 112
UT00124PH6.....	P. 28	UT06103SH02.....	P. 20	UT062448SH02.....	P. 112
UT00124SH.....	P. 28	UT06103W3PH.....	P. 40	UT07102W2PH.....	P. 32
UT00124SH6.....	P. 28	UT06103W3PH02.....	P. 40	UT07102W2PH01.....	P. 32
UT00128PH.....	P. 52	UT06103W3SH.....	P. 40	UT07102W2PH6.....	P. 32
UT00128PH6.....	P. 52	UT06103W3SH02.....	P. 40	UT07102W2PH601.....	P. 32
UT00128SH.....	P. 52	UT06104PH.....	P. 36	UT07102W2SH.....	P. 32
UT00128SH6.....	P. 52	UT06104PH02.....	P. 36	UT07102W2SH01.....	P. 32
UT001412PH.....	P. 64	UT06104SH.....	P. 36	UT07102W2SH6.....	P. 32
UT001412PH6.....	P. 64	UT06104SH02.....	P. 36	UT07102W2SH601.....	P. 32
UT001412SH.....	P. 64	UT06124PH.....	P. 28	UT07103PH.....	P. 20
UT001412SH6.....	P. 64	UT06124PH02.....	P. 28	UT07103PH01.....	P. 20
UT00142G1PH.....	P. 24	UT06124SH.....	P. 28	UT07103PH6.....	P. 20
UT00142G1PH6.....	P. 24	UT06124SH02.....	P. 28	UT07103PH601.....	P. 20
UT00142G1SH.....	P. 24	UT06128PH.....	P. 52	UT07103SH.....	P. 20
UT00142G1SH6.....	P. 24	UT06128PH02.....	P. 52	UT07103SH01.....	P. 20
UT00147PH.....	P. 48	UT06128SH.....	P. 52	UT07103SH6.....	P. 20
UT00147PH6.....	P. 48	UT06128SH02.....	P. 52	UT07103SH601.....	P. 20
UT00147SH.....	P. 48	UT061412PH.....	P. 64	UT07103W3PH.....	P. 40
UT00147SH6.....	P. 48	UT061412PH02.....	P. 64	UT07103W3PH01.....	P. 40
UT00148PH.....	P. 56	UT061412SH.....	P. 64	UT07103W3PH6.....	P. 40
UT00148PH6.....	P. 56	UT061412SH02.....	P. 64	UT07103W3PH601.....	P. 40
UT00148SH.....	P. 56	UT06142G1PH.....	P. 24	UT07103W3SH.....	P. 40
UT00148SH6.....	P. 56	UT06142G1PH02.....	P. 24	UT07103W3SH01.....	P. 40
UT001492PH.....	P. 68	UT06142G1SH.....	P. 24	UT07103W3SH6.....	P. 40
UT001492PH6.....	P. 68	UT06142G1SH02.....	P. 24	UT07103W3SH601.....	P. 40
UT001492SH.....	P. 68	UT06147PH.....	P. 48	UT07104PH.....	P. 36
UT001492SH6.....	P. 68	UT06147PH02.....	P. 48	UT07104PH01.....	P. 36
UT001619PH.....	P. 76	UT06147SH.....	P. 48	UT07104PH6.....	P. 36
UT001619PH6.....	P. 76	UT06147SH02.....	P. 48	UT07104PH601.....	P. 36
UT001619SH.....	P. 76	UT06148PH.....	P. 56	UT07104SH.....	P. 36
UT001619SH6.....	P. 76	UT06148PH02.....	P. 56	UT07104SH01.....	P. 36
UT001823PH.....	P. 80	UT06148SH.....	P. 56	UT07104SH6.....	P. 36
UT001823PH6.....	P. 80	UT06148SH02.....	P. 56	UT07104SH601.....	P. 36
UT001823SH.....	P. 80	UT061492PH.....	P. 68	UT07124PH.....	P. 28
UT001823SH6.....	P. 80	UT061492PH02.....	P. 68	UT07124PH01.....	P. 28
UT002028PH.....	P. 88	UT061492SH.....	P. 68	UT07124PH6.....	P. 28
UT002028PH6.....	P. 88	UT061492SH02.....	P. 68	UT07124PH601.....	P. 28
UT002028SH.....	P. 88	UT061619PH.....	P. 76	UT07124SH.....	P. 28
UT002028SH6.....	P. 88	UT061619PH02.....	P. 76	UT07124SH01.....	P. 28
UT002030PH.....	P. 92	UT061619SH.....	P. 76	UT07124SH6.....	P. 28
UT002030PH6.....	P. 92	UT061619SH02.....	P. 76	UT07124SH601.....	P. 28
UT002030SH.....	P. 92	UT061823PH.....	P. 80	UT07128PH.....	P. 52
UT002030SH6.....	P. 92	UT061823PH02.....	P. 80	UT07128PH01.....	P. 52
UT002235PH.....	P. 100	UT061823SH.....	P. 80	UT07128PH6.....	P. 52
UT002235PH6.....	P. 100	UT061823SH02.....	P. 80	UT07128PH601.....	P. 52
		UT062028PH.....	P. 88	UT07128SH.....	P. 52
		UT062028PH02.....	P. 88	UT07128SH01.....	P. 52

Part Number Index (Continued)

UT07128SH6.....	P. 52	UT072028SH6.....	P. 88	UT0W02461SH.....	P. 120
UT07128SH601.....	P. 52	UT072028SH601.....	P. 88	UT0W02461SH6.....	P. 120
UT071412PH.....	P. 64	UT072030PH.....	P. 92	UT0W6106PH.....	P. 44
UT071412PH01.....	P. 64	UT072030PH01.....	P. 92	UT0W6106PH02.....	P. 44
UT071412PH6.....	P. 64	UT072030PH6.....	P. 92	UT0W6106SH.....	P. 44
UT071412PH601.....	P. 64	UT072030PH601.....	P. 92	UT0W6106SH02.....	P. 44
UT071412SH.....	P. 64	UT072030SH.....	P. 92	UT0W61210PH.....	P. 60
UT071412SH01.....	P. 64	UT072030SH01.....	P. 92	UT0W61210PH02.....	P. 60
UT071412SH6.....	P. 64	UT072030SH6.....	P. 92	UT0W61210SH.....	P. 60
UT071412SH601.....	P. 64	UT072030SH601.....	P. 92	UT0W61210SH02.....	P. 60
UT07142G1PH.....	P. 24	UT072235PH.....	P. 100	UT0W61419PH.....	P. 72
UT07142G1PH01.....	P. 24	UT072235PH01.....	P. 100	UT0W61419PH02.....	P. 72
UT07142G1PH6.....	P. 24	UT072235PH6.....	P. 100	UT0W61419SH.....	P. 72
UT07142G1PH601.....	P. 24	UT072235PH601.....	P. 100	UT0W61419SH02.....	P. 72
UT07142G1SH.....	P. 24	UT072235SH.....	P. 100	UT0W61626PH.....	P. 84
UT07142G1SH01.....	P. 24	UT072235SH01.....	P. 100	UT0W61626PH02.....	P. 84
UT07142G1SH6.....	P. 24	UT072235SH6.....	P. 100	UT0W61626SH.....	P. 84
UT07142G1SH601.....	P. 24	UT072235SH601.....	P. 100	UT0W61626SH02.....	P. 84
UT07147PH.....	P. 48	UT072238PH.....	P. 104	UT0W61832PH.....	P. 96
UT07147PH01.....	P. 48	UT072238PH01.....	P. 104	UT0W61832PH02.....	P. 96
UT07147PH6.....	P. 48	UT072238PH6.....	P. 104	UT0W61832SH.....	P. 96
UT07147PH601.....	P. 48	UT072238PH601.....	P. 104	UT0W61832SH02.....	P. 96
UT07147SH.....	P. 48	UT072238SH.....	P. 104	UT0W62041PH.....	P. 108
UT07147SH01.....	P. 48	UT072238SH01.....	P. 104	UT0W62041PH02.....	P. 108
UT07147SH6.....	P. 48	UT072238SH6.....	P. 104	UT0W62041SH.....	P. 108
UT07147SH601.....	P. 48	UT072238SH601.....	P. 104	UT0W62041SH02.....	P. 108
UT07148PH.....	P. 56	UT072448PH.....	P. 112	UT0W62255PH.....	P. 116
UT07148PH01.....	P. 56	UT072448PH01.....	P. 112	UT0W62255PH02.....	P. 116
UT07148PH6.....	P. 56	UT072448PH6.....	P. 112	UT0W62255SH.....	P. 116
UT07148PH601.....	P. 56	UT072448PH601.....	P. 112	UT0W62255SH02.....	P. 116
UT07148SH.....	P. 56	UT072448SH.....	P. 112	UT0W62461PH.....	P. 120
UT07148SH01.....	P. 56	UT072448SH01.....	P. 112	UT0W62461PH02.....	P. 120
UT07148SH6.....	P. 56	UT072448SH6.....	P. 112	UT0W62461SH.....	P. 120
UT07148SH601.....	P. 56	UT072448SH601.....	P. 112	UT0W62461SH02.....	P. 120
UT071492PH.....	P. 68	UT0W0106PH.....	P. 44	UT0W7106PH.....	P. 44
UT071492PH01.....	P. 68	UT0W0106PH6.....	P. 44	UT0W7106PH01.....	P. 44
UT071492PH6.....	P. 68	UT0W0106SH.....	P. 44	UT0W7106PH6.....	P. 44
UT071492PH601.....	P. 68	UT0W0106SH6.....	P. 44	UT0W7106PH601.....	P. 44
UT071492SH.....	P. 68	UT0W01210PH.....	P. 60	UT0W7106SH.....	P. 44
UT071492SH01.....	P. 68	UT0W01210PH6.....	P. 60	UT0W7106SH01.....	P. 44
UT071492SH6.....	P. 68	UT0W01210SH.....	P. 60	UT0W7106SH6.....	P. 44
UT071492SH601.....	P. 68	UT0W01210SH6.....	P. 60	UT0W7106SH601.....	P. 44
UT071619PH.....	P. 76	UT0W01419PH.....	P. 72	UT0W71210PH.....	P. 60
UT071619PH01.....	P. 76	UT0W01419PH6.....	P. 72	UT0W71210PH01.....	P. 60
UT071619PH6.....	P. 76	UT0W01419SH.....	P. 72	UT0W71210PH6.....	P. 60
UT071619PH601.....	P. 76	UT0W01419SH6.....	P. 72	UT0W71210PH601.....	P. 60
UT071619SH.....	P. 76	UT0W01626PH.....	P. 84	UT0W71210SH.....	P. 60
UT071619SH01.....	P. 76	UT0W01626PH6.....	P. 84	UT0W71210SH01.....	P. 60
UT071619SH6.....	P. 76	UT0W01626SH.....	P. 84	UT0W71210SH6.....	P. 60
UT071619SH601.....	P. 76	UT0W01626SH6.....	P. 84	UT0W71210SH601.....	P. 60
UT071823PH.....	P. 80	UT0W01832PH.....	P. 96	UT0W71419PH.....	P. 72
UT071823PH01.....	P. 80	UT0W01832PH6.....	P. 96	UT0W71419PH01.....	P. 72
UT071823PH6.....	P. 80	UT0W01832SH.....	P. 96	UT0W71419PH6.....	P. 72
UT071823PH601.....	P. 80	UT0W01832SH6.....	P. 96	UT0W71419PH601.....	P. 72
UT071823SH.....	P. 80	UT0W02041PH.....	P. 108	UT0W71419SH.....	P. 72
UT071823SH01.....	P. 80	UT0W02041PH6.....	P. 108	UT0W71419SH01.....	P. 72
UT071823SH6.....	P. 80	UT0W02041SH.....	P. 108	UT0W71419SH6.....	P. 72
UT071823SH601.....	P. 80	UT0W02041SH6.....	P. 108	UT0W71419SH601.....	P. 72
UT072028PH.....	P. 88	UT0W02255PH.....	P. 116	UT0W71626PH.....	P. 84
UT072028PH01.....	P. 88	UT0W02255PH6.....	P. 116	UT0W71626PH01.....	P. 84
UT072028PH6.....	P. 88	UT0W02255SH.....	P. 116	UT0W71626PH6.....	P. 84
UT072028PH601.....	P. 88	UT0W02255SH6.....	P. 116	UT0W71626PH601.....	P. 84
UT072028SH.....	P. 88	UT0W02461PH.....	P. 120	UT0W71626SH.....	P. 84
UT072028SH01.....	P. 88	UT0W02461PH6.....	P. 120	UT0W71626SH01.....	P. 84

UT0W71626SH6	P. 84
UT0W71626SH601	P. 84
UT0W71832PH	P. 96
UT0W71832PH01	P. 96
UT0W71832PH6	P. 96
UT0W71832PH601	P. 96
UT0W71832SH	P. 96
UT0W71832SH01	P. 96
UT0W71832SH6	P. 96
UT0W71832SH601	P. 96
UT0W72041PH	P. 108
UT0W72041PH01	P. 108
UT0W72041PH6	P. 108
UT0W72041PH601	P. 108
UT0W72041SH	P. 108
UT0W72041SH01	P. 108
UT0W72041SH6	P. 108
UT0W72041SH601	P. 108
UT0W72255PH	P. 116
UT0W72255PH01	P. 116
UT0W72255PH6	P. 116
UT0W72255PH601	P. 116
UT0W72255SH	P. 116
UT0W72255SH01	P. 116
UT0W72255SH6	P. 116
UT0W72255SH601	P. 116
UT0W72461PH	P. 120
UT0W72461PH01	P. 120
UT0W72461PH6	P. 120
UT0W72461PH601	P. 120
UT0W72461SH	P. 120
UT0W72461SH01	P. 120
UT0W72461SH6	P. 120
UT0W72461SH601	P. 120

Backshells

UT010AC	P. 20
UT010AD	P. 20
UT010JC	P. 20
UT010JCL	P. 20
UT010JCPGN	P. 20
UT010JCS	P. 20
UT010JCSL	P. 20
UT010LPGN	P. 20
UT012AC	P. 28
UT012AD	P. 28
UT012JC	P. 28
UT012JCL	P. 28
UT012JCPGN	P. 28
UT012JCS	P. 28
UT012JCSL	P. 28
UT012LPGN	P. 28
UT014AC	P. 24
UT014AD	P. 24
UT014JC	P. 24
UT014JCL	P. 24
UT014LPGN	P. 24
UT014JCPGN	P. 24
UT014JCSL	P. 24
UT014LPGN	P. 24
UT016AC	P. 76
UT016AD	P. 76
UT016JC	P. 76
UT016JCL	P. 76

UT016JCPGN	P. 76
UT016JCS	P. 76
UT016JCSL	P. 76
UT016LPGN	P. 76
UT018AC	P. 80
UT018AD	P. 80
UT018JC	P. 80
UT018JCL	P. 80
UT018JCS	P. 80
UT018JCPGN	P. 80
UT018JCSL	P. 80
UT018LPGN	P. 80
UT020AC	P. 88
UT020AD	P. 88
UT020JC	P. 88
UT020JCL	P. 88
UT020JCS	P. 88
UT020JCPGN	P. 88
UT020JCSL	P. 88
UT020LPGN	P. 88
UT022AC	P. 100
UT022AD	P. 100
UT022JC	P. 100
UT022JCL	P. 100
UT022JCS	P. 100
UT022JCPGN	P. 100
UT022JCSL	P. 100
UT022LPGN	P. 100
UT024AC	P. 112
UT024AD	P. 112
UT024JC	P. 112
UT024JCL	P. 112
UT024JCS	P. 112
UT024JCPGN	P. 112
UT024JCSL	P. 112
UT024LPGN	P. 112
UT0S10JC	P. 20
UT0S10JCL	P. 20
UT0S10JCPGN	P. 20
UT0S10JCS	P. 20
UT0S10JCSL	P. 20
UT0S12JC	P. 28
UT0S12JCL	P. 28
UT0S12JCS	P. 28
UT0S12JCPGN	P. 28
UT0S12JCSL	P. 28
UT0S14JC	P. 24
UT0S14JCL	P. 24
UT0S14JCPGN	P. 24
UT0S14JCS	P. 24
UT0S14JCSL	P. 24
UT0S16JC	P. 76
UT0S16JCL	P. 76
UT0S16JCPGN	P. 76
UT0S16JCS	P. 76
UT0S16JCSL	P. 76
UT0S18JC	P. 80
UT0S18JCL	P. 80
UT0S18JCPGN	P. 80
UT0S18JCS	P. 80
UT0S18JCSL	P. 80
UT0S20JC	P. 88
UT0S20JCL	P. 88
UT0S20JCPGN	P. 88

UT0S20JCS	P. 88
UT0S20JCSL	P. 88
UT0S22JC	P. 100
UT0S22JCL	P. 100
UT0S22JCPGN	P. 100
UT0S22JCS	P. 100
UT0S22JCSL	P. 100
UT0S24JC	P. 112
UT0S24JCL	P. 112
UT0S24JCPGN	P. 112
UT0S24JCS	P. 112
UT0S24JCSL	P. 112

Accessories

SMSPK0	P. 180
UT010DCG	P. 22
UT012DCG	P. 30
UT014DCG	P. 26
UT016DCG	P. 78
UT018DCG	P. 82
UT020DCG	P. 90
UT022DCG	P. 102
UT024DCG	P. 114
UTFD12B	P. 22
UTFD13B	P. 30
UTFD14B	P. 26
UTFD15B	P. 78
UTFD16B	P. 82
UTFD17B	P. 90
UTFD18B	P. 102
UTFD19B	P. 114
UTG610DCG	P. 22
UTG612DCG	P. 30
UTG614DCG	P. 26
UTG616DCG	P. 78
UTG618DCG	P. 82
UTG620DCG	P. 90
UTG622DCG	P. 102
UTG624DCG	P. 114

Contacts

82911456A	P. 129
82911456K	P. 129
82911457NA	P. 129
82911457NK	P. 129
82911458A	P. 129
82911458K	P. 129
82911459NA	P. 129
82911459NK	P. 129
82911460A	P. 129
82911460K	P. 129
82911461NA	P. 129
82911461NK	P. 129
82911462A	P. 129
82911462K	P. 129
82911463NA	P. 129
82911463NK	P. 129
82911464A	P. 129
82911464K	P. 129
82911465NA	P. 129
82911465NK	P. 129
82911466A	P. 129
82911466K	P. 129
82911467NA	P. 129

Part Number Index (Continued)

82911467NK.....	P. 129	RM20M12E8J.....	P. 132	SM14M1S31.....	P. 129
82913600A.....	P. 129	RM20M12E8K.....	P. 132	SM14M1TK6.....	P. 129
82913601A.....	P. 129	RM20M12E83J.....	P. 132	SM14ML1S18.....	P. 129
82913602A.....	P. 129	RM20M12E83K.....	P. 132	SM14ML1S31.....	P. 129
82913603A.....	P. 129	RM20M12GE1J.....	P. 130	SM14ML1TK6.....	P. 129
82913604A.....	P. 129	RM20M12GE1K.....	P. 130	SM16M1S18.....	P. 129
82913605A.....	P. 129	RM20M13J.....	P. 129	SM16M1S31.....	P. 129
82913606A.....	P. 129	RM20M13K.....	P. 129	SM16M1TK6.....	P. 129
82913607A.....	P. 129	RM20M13GE1J.....	P. 130	SM16M11S18.....	P. 129
82913608A.....	P. 129	RM20M13GE1K.....	P. 130	SM16M11S31.....	P. 129
82913609A.....	P. 133	RM20W3K.....	P. 129	SM16M11TK6.....	P. 129
82911684NPC.....	P. 132	RM24M9J.....	P. 129	SM16ML1S18.....	P. 129
82911684NAPC.....	P. 132	RM24M9K.....	P. 129	SM16ML1S31.....	P. 129
82911685NPC.....	P. 132	RM24M9GE1J.....	P. 130	SM16ML1TK6.....	P. 129
82911685NAPC.....	P. 132	RM24M9GE1K.....	P. 130	SM16ML11S18.....	P. 129
RC14M30J.....	P. 129	RM24W3K.....	P. 129	SM16ML11S31.....	P. 129
RC14M30K.....	P. 129	RM28M1J.....	P. 129	SM16ML11TK6.....	P. 129
RC14M30GE7J.....	P. 130	RM28M1K.....	P. 129	SM20M1S18.....	P. 129
RC14M30GE7K.....	P. 130	RM28M1GE1J.....	P. 130	SM20M1S31.....	P. 129
RC16M23J.....	P. 129	RM28M1GE1K.....	P. 130	SM20M1TK6.....	P. 129
RC16M23K.....	P. 129	RMDX60xxD28.....	P. 131	SM20ML1S18.....	P. 129
RC16M23GE7J.....	P. 130	RMDXK10D28.....	P. 131	SM20ML1S31.....	P. 129
RC16M23GE7K.....	P. 130	RMPOF1000.....	P. 130	SM20ML1TK6.....	P. 129
RC18W3K.....	P. 129	RMW5016K.....	P. 132	SM20W3S26.....	P. 129
RC20M12J.....	P. 129	RMW50A7K.....	P. 132	SM20W3TK6.....	P. 129
RC20M12K.....	P. 129	SC14M1S18.....	P. 129	SM20WL3S26.....	P. 129
RC20M12E8J.....	P. 132	SC14M1S31.....	P. 129	SM20WL3TK6.....	P. 129
RC20M12E8K.....	P. 132	SC14M1TK6.....	P. 129	SM24M1S18.....	P. 129
RC20M12E83J.....	P. 132	SC14ML1S18.....	P. 129	SM24M1S31.....	P. 129
RC20M12E83K.....	P. 132	SC14ML1S31.....	P. 129	SM24M1TK6.....	P. 129
RC20M12E84J.....	P. 132	SC14ML1TK6.....	P. 129	SM24ML1S18.....	P. 129
RC20M12E84K.....	P. 132	SC16M1S18.....	P. 129	SM24ML1S31.....	P. 129
RC20M12GE7J.....	P. 130	SC16M1S31.....	P. 129	SM24ML1TK6.....	P. 129
RC20M12GE7K.....	P. 130	SC16M1TK6.....	P. 129	SM24W3S26.....	P. 129
RC20M13J.....	P. 129	SC16M11S18.....	P. 129	SM24W3TK6.....	P. 129
RC20M13K.....	P. 129	SC16M11S31.....	P. 129	SM24WL3S26.....	P. 129
RC20M13GE7J.....	P. 130	SC16M11TK6.....	P. 129	SM24WL3TK6.....	P. 129
RC20M13GE7K.....	P. 130	SC16ML1S18.....	P. 129		
RC20W3K.....	P. 129	SC16ML1S31.....	P. 129		
RC24M9J.....	P. 129	SC16ML1TK6.....	P. 129		
RC24M9K.....	P. 129	SC16ML11S18.....	P. 129		
RC24M9GE7J.....	P. 130	SC16ML11S31.....	P. 129		
RC24M9GE7K.....	P. 130	SC16ML11TK6.....	P. 129		
RC24W3K.....	P. 129	SC20M1S18.....	P. 129		
RC28M1J.....	P. 129	SC20M1S31.....	P. 129		
RC28M1K.....	P. 129	SC20M1TK6.....	P. 129		
RC28M1GE7J.....	P. 130	SC20ML1S18.....	P. 129		
RC28M1GE7K.....	P. 130	SC20ML1S31.....	P. 129		
RCDX60xxD28.....	P. 131	SC20ML1TK6.....	P. 129		
RCDXK1D28.....	P. 131	SC20W3S25.....	P. 129		
RCPOF1000B.....	P. 130	SC20W3TK6.....	P. 129		
RCW5016K.....	P. 132	SC20WL3S25.....	P. 129		
RCW50A7K.....	P. 132	SC20WL3TK6.....	P. 129		
RM14M30J.....	P. 129	SC24M1S18.....	P. 129		
RM14M30K.....	P. 129	SC24M1S31.....	P. 129		
RM14M30GE1J.....	P. 130	SC24M1TK6.....	P. 129		
RM14M30GE1K.....	P. 130	SC24ML1S18.....	P. 129		
RM16M23J.....	P. 129	SC24ML1S31.....	P. 129		
RM16M23K.....	P. 129	SC24ML1TK6.....	P. 129		
RM16M23GE1J.....	P. 130	SC24W3S25.....	P. 129		
RM16M23GE1K.....	P. 130	SC24W3TK6.....	P. 129		
RM18W3K.....	P. 129	SC24WL3S25.....	P. 129		
RM20M12J.....	P. 129	SC24WL3TK6.....	P. 129		
RM20M12K.....	P. 129	SM14M1S18.....	P. 129		
				Tooling	
				51060210924.....	P. 139
				51060210936.....	P. 139
				M10S1J.....	P. 174
				M10SG8.....	P. 174
				M317.....	P. 139
				MH860.....	P. 139
				MH86164G.....	P. 139
				MH86186.....	P. 139
				RX2025GE1.....	P. 139
				RX20D44.....	P. 139
				S16RCM14.....	P. 139
				S16RCM16.....	P. 139
				S16RCM20.....	P. 139
				S16SCM20.....	P. 139
				S16SCML1.....	P. 139
				S16SCML11.....	P. 139
				S20RCM.....	P. 139
				S20SCM20.....	P. 139
				S221.....	P. 172
				S23D2.....	P. 172
				S80.....	P. 174
				S82.....	P. 174
				S83.....	P. 171
				S87.....	P. 174
				S88.....	P. 174

SHANDLES.....	P.139
SL105.....	P.174
SL46D2.....	P.172
SL471.....	P.172
UH25.....	P.139
VGE10077A.....	P.139
VGE10078A.....	P.139



Your local contact



Our contribution to environmental protection:
This catalog is printed on PEFC certified paper
Advancement of sustainable wood cultivation. www.pefc.org

SOURIAU

www.souriau-industrial.com
technicalsupport@souriau.com

