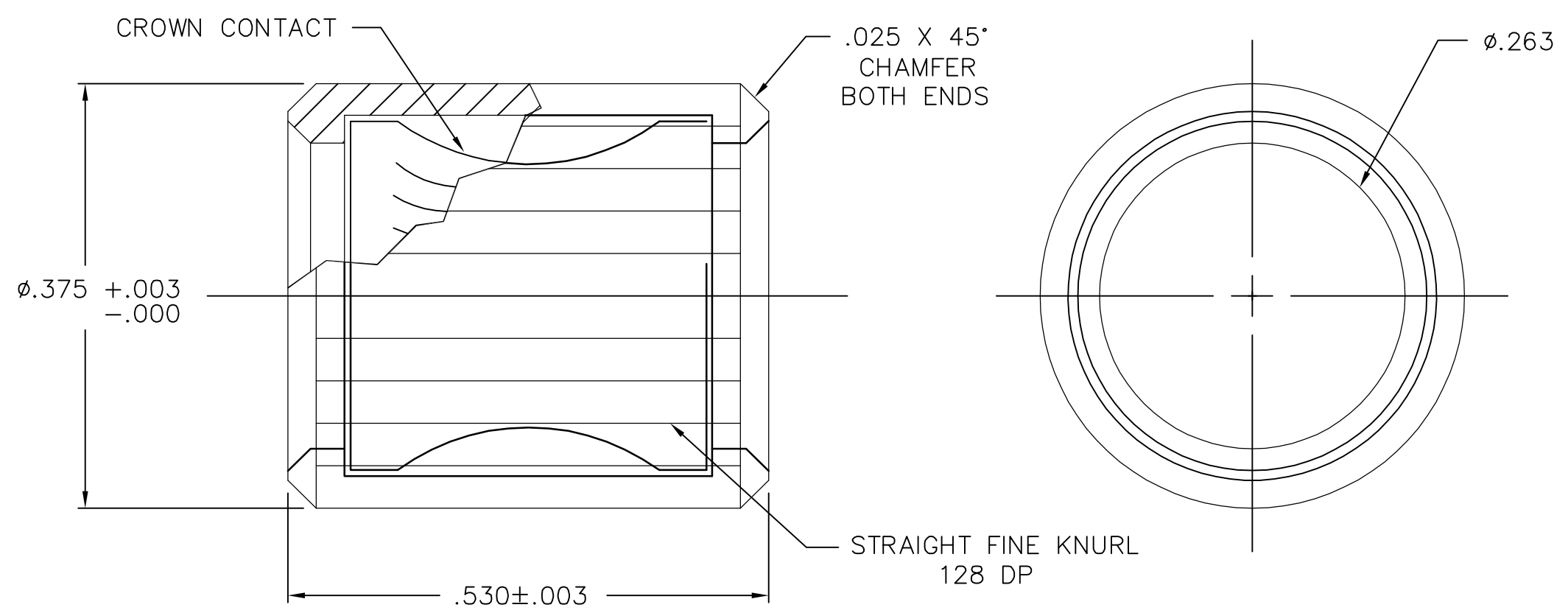


THIS DRAWING IS UNPUBLISHED. RELEASED FOR PUBLICATION
 © COPYRIGHT - BY TYCO ELECTRONICS CORPORATION. ALL RIGHTS RESERVED.

LOC	DIST	REVISIONS					
GP	00	P	LTR	DESCRIPTION	DATE	DWN	APVD
		A		RELEASED	03APR06	RG	PD



5. RECOMMENDED HOLE = $\phi.374/.371$
4. MATERIAL: BODY - BRASS ALLOY
CROWN - BeCu
3. FINISH: BODY - SILVER .000200 MIN THK.
OVER NICKEL .000040 MIN THK.
CROWN - GOLD .000030 MIN THK.
OVER NICKEL .000040 MIN THK.
2. ITEMS PROVIDED TO THIS SPECIFICATION ARE TO IDENTIFIED ON THE CONTAINER WITH THE FOLLOWING INFORMATION: PART NUMBER & DATE CODE OF MFR.
1. PART NUMBER CHANGES AND/OR DESIGN CHANGES AFFECTING ITEM INTERCHANGEABILITY REQUIRES PRIOR TYCO APPROVAL AND AUTHORIZATION BY REVISION TO THIS DRAWING.

6648171-1
PART NUMBER



THIS DRAWING IS A CONTROLLED DOCUMENT.		DWN	R.GRZYBOWSKI	04APR2006	Tyco Electronics Corporation Harrisburg, PA 17105-3608			
DIMENSIONS: INCHES		CHK	P.DAMATO	03APR06				
		APVD	S.FLICKINGER	03APR06	NAME			
TOLERANCES UNLESS OTHERWISE SPECIFIED:		PRODUCT SPEC			CROWN SOCKET INSERT 3/8 WITH 1/4 CROWN PRESS FIT			
0 PLC ± - 1 PLC ± - 2 PLC ± .01 3 PLC ± .005 4 PLC ± - ANGLES ± .5		APPLICATION SPEC			SIZE	CAGE CODE	DRAWING NO	RESTRICTED TO
MATERIAL		WEIGHT			A3	00779	C-6648171	-
FINISH		CUSTOMER DRAWING			SCALE	SHEET	REV	
					1:1	1 OF 1	A	