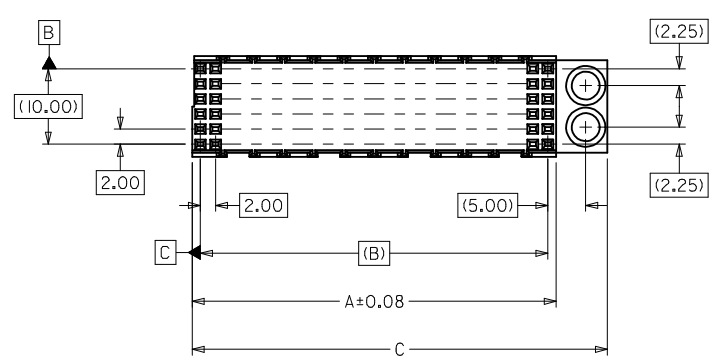
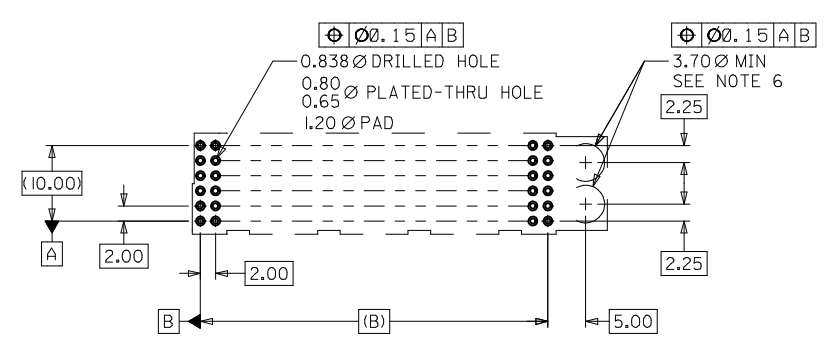
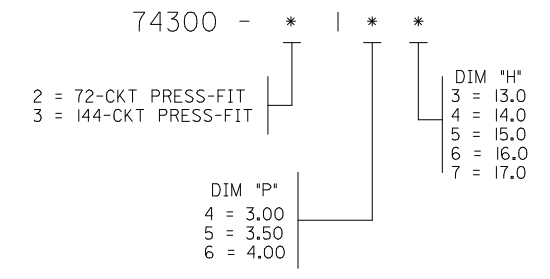


- NOTES:
1. MATERIALS: HOUSING - LIQUID CRYSTAL POLYMER (LCP) BLACK  
TERMINALS - HIGH PERFORMANCE COPPER ALLOY
  2. FINISH: SELECTIVE GOLD (Au) IN CONTACT AREA.  
2.50 MICROMETER MINIMUM THICKNESS.  
SELECTIVE MATTE TIN (Sn) ON PRESS FIT TAILS.  
0.88 MICROMETER MINIMUM THICKNESS.  
NICKEL OVERALL.
  3. THIS PART CONFORMS TO MOLEX PRODUCT SPEC PS-73780-999.
  4. 144 CKT STACKING MODULE SHOWN FOR ILLUSTRATION PURPOSES.  
SEE CHART FOR TABULATED DIMENSIONS.
  5. 74300-\*\*\*7 PARTS TO BE PACKAGED IN TUBES PER PK-70873-0872.
  6. ALL OTHER PARTS TO BE PACKAGED IN TUBES PER PK-70873-0900.
  7. DEPENDING ON APPLICATION, THIS HOLE MAY BE NEEDED FOR CLEARANCE OF BACKPLANE GUIDE PIN. LOCATION OF HOLE WILL DEPEND ON LOCATION OF GUIDE PIN.
  8. TRUE POSITION OF TAILS IS INSPECTED USING GAGE NUMBER 73727-0014.
  9. THIS PART CONFORMS TO MOLEX COSMETIC SPEC PS-45499-002 CLASS B.



MATERIAL NUMBER ASSIGNMENT



PCB LAYOUT: COMPONENT SIDE

74300 - 31**	144	48.17	46.00	54.95
74300 - 21**	72	24.17	22.00	30.95
MATERIAL NUMBER	CIRCUIT SIZE	DIM A	DIM B	DIM C

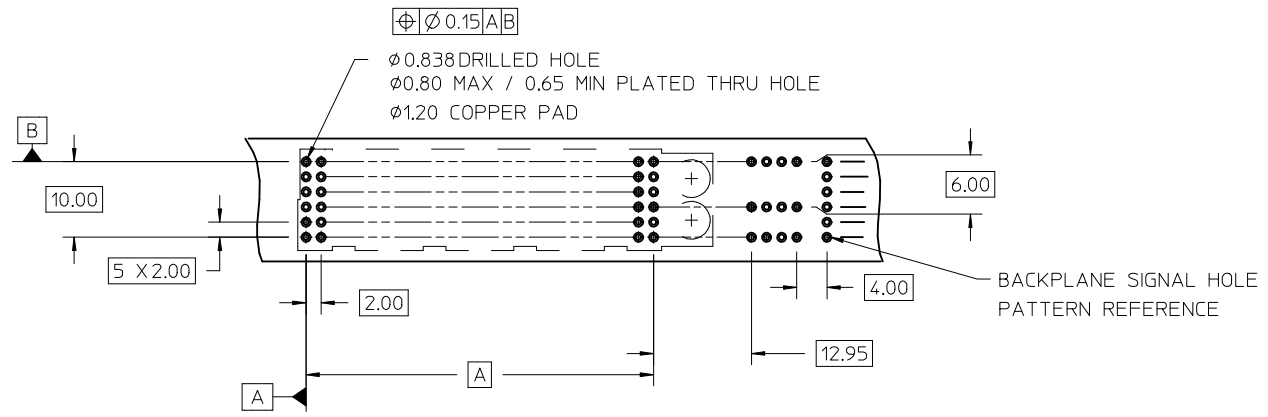
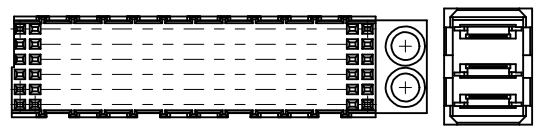
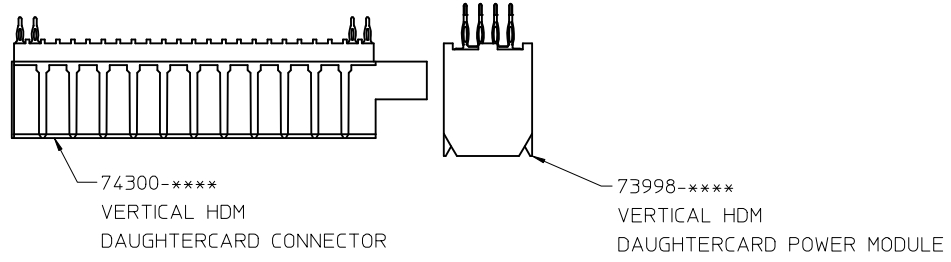
LEAD FREE CONVERSION EC NO: UCP2013-3253 DRWN:RHIPPLE 2013/02/05 CHKD:WOLFE 2013/02/05 APPR:SMILLER 2013/08/05	DESCRIPTION	QUALITY SYMBOLS ▽=0 ▽=0 ▽=0
--	-------------	--------------------------------------

GENERAL TOLERANCES (UNLESS SPECIFIED)	DIMENSION STYLE <b>MM ONLY</b>
4 PLACES ± --- ± ---	DRAWN BY DATE JJONIAK 2006/02/14
3 PLACES ± --- ± ---	CHECKED BY DATE SREED 2006/02/14
2 PLACES ± 0.05 ± ---	APPROVED BY DATE SMILLER 2010/02/08
1 PLACE ± 0.10 ± ---	MATERIAL NO.
0 PLACE ± --- ± ---	ANGULAR ±1/2°
DRAFT WHERE APPLICABLE MUST REMAIN WITHIN DIMENSIONS	SEE TABLE

SCALE 2:1	DESIGN UNITS METRIC	THIRD ANGLE PROJECTION
--------------	------------------------	------------------------

SALES ASSY, HDM LEADED DAUGHTERCARD STACKING MODULE, GUIDE OPTION	
<b>molex</b>	
DOCUMENT NO. SD-74300-002	SHEET NO. 1 OF 1

- NOTES:  
 1. SEE SD-74300-002 FOR ADDITIONAL INFORMATION FOR THE 74300 DAUGHTERCARD MODULE.  
 2. SEE SD-73998-001 FOR ADDITIONAL INFORMATION FOR THE 73998 VERTICAL DAUGHTERCARD POWER MODULE.



PCB LAYOUT : COMPONENT SIDE  
 RECOMMENDED PCB THICKNESS: 2.50 MIN

MATERIAL NUMBER	CIRCUIT SIZE	DIM A
74300-11**/-31**	144	46.00
74300-01**/-21**	72	22.00

INITIAL RELEASE EC NO: UCP2009-3131 DRWNS:SDANNELLEY 2009/08/05 CHKD:BSMART 2009/08/06 APPR:SMILLER 2009/08/07	QUALITY SYMBOLS ▽=0 ▽=0	GENERAL TOLERANCES (UNLESS SPECIFIED) <table border="1"> <thead> <tr> <th></th> <th>mm</th> <th>INCH</th> </tr> </thead> <tbody> <tr> <td>4 PLACES</td> <td>± 0.15</td> <td>± 0.006</td> </tr> <tr> <td>3 PLACES</td> <td>± 0.25</td> <td>± 0.010</td> </tr> <tr> <td>2 PLACES</td> <td>± 0.50</td> <td>± 0.020</td> </tr> <tr> <td>1 PLACE</td> <td>± 1.00</td> <td>± 0.040</td> </tr> </tbody> </table> ANGULAR ±1/2°		mm	INCH	4 PLACES	± 0.15	± 0.006	3 PLACES	± 0.25	± 0.010	2 PLACES	± 0.50	± 0.020	1 PLACE	± 1.00	± 0.040	DIMENSION STYLE <b>MM ONLY</b> DRAWN BY DATE SDANNELLEY 2009/06/25 CHECKED BY DATE BSMART 2009/06/25 APPROVED BY DATE SMILLER 2009/06/25 MATERIAL NO. N/A	SCALE 2:1 DESIGN UNITS METRIC THIRD ANGLE PROJECTION	TITLE PCB LAYOUT FOR 74300 AND 73998 USED IN CONJUNCTION MOLEX INCORPORATED DOCUMENT NO. SD-74300-005 SHEET NO. 1 OF 1
		mm	INCH																	
	4 PLACES	± 0.15	± 0.006																	
	3 PLACES	± 0.25	± 0.010																	
2 PLACES	± 0.50	± 0.020																		
1 PLACE	± 1.00	± 0.040																		
DRAFT WHERE APPLICABLE MUST REMAIN WITHIN DIMENSIONS	SIZE C	THIS DRAWING CONTAINS INFORMATION THAT IS PROPRIETARY TO MOLEX INCORPORATED AND SHOULD NOT BE USED WITHOUT WRITTEN PERMISSION																		
A	REV:																			